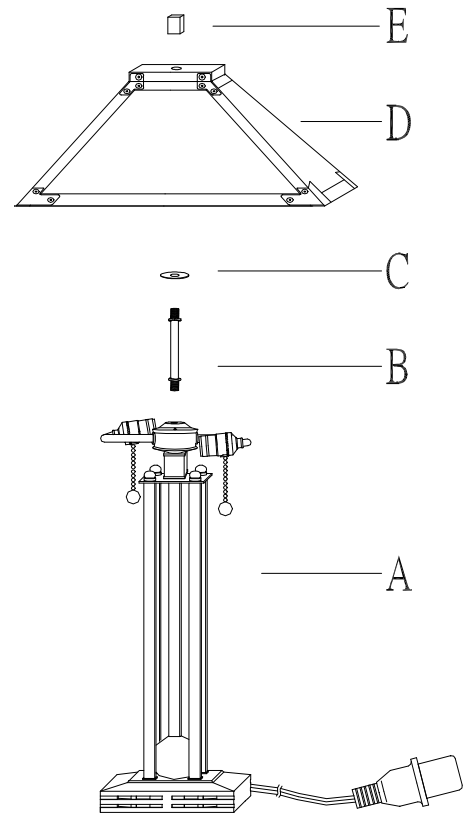


# ASSEMBLY INSTRUCTIONS:

## ITEM NO.:BO-476

- 1.CAREFULLY UNPACK AND PLACE ALL PARTS ON A SMOOTH SURFACE AND LINE THEM UP AS PER THE SKETCH .
- 2.SCREW PIPE (B) CLOCKWISE INTO THE SOCKET ASSEMBLY WHICH LIES ON THE TOP OF STEM (A).
- 3.PLACE STEEL WASHER(C) ONTO THE TOP OF THE PIPE(B), SHADE (D) ONTO STEEL WASHER(C).THEN TIGHTEN SHADE(D) BY SCREWING FINIAL(E).
- 4.INSERT THE POLARIZED PLUG INTO WALL OUTLET, TURN ON THE SWITCH AND ENJOY YOUR NEW LAMP.



### IMPORTANT SAFETY INSTRUCTIONS:

THIS PORTABLE LAMP HAS A POLARIZED PLUG (ONE BLADE IS WIDER THAN THE OTHER) AS A FEATURE TO REDUCE THE RISK OF ELECTRIC SHOCK. THIS PLUG WILL FIT IN A POLARIZED OUTLET ONLY ONE WAY. IF IT DOES NOT FIT FULLY IN THE OUTLET, REVERSE THE PLUG. IF IT STILL DOES NOT FIT, CONTACT A QUALIFIED ELECTRICIAN. NEVER USE WITH AN EXTENSION CORD UNLESS THE PLUG CAN BE FULLY INSERTED. DO NOT ALTER THE PLUG .

**\*SAVE THESE INSTRUCTIONS FOR FUTURE REFERENCE.\***