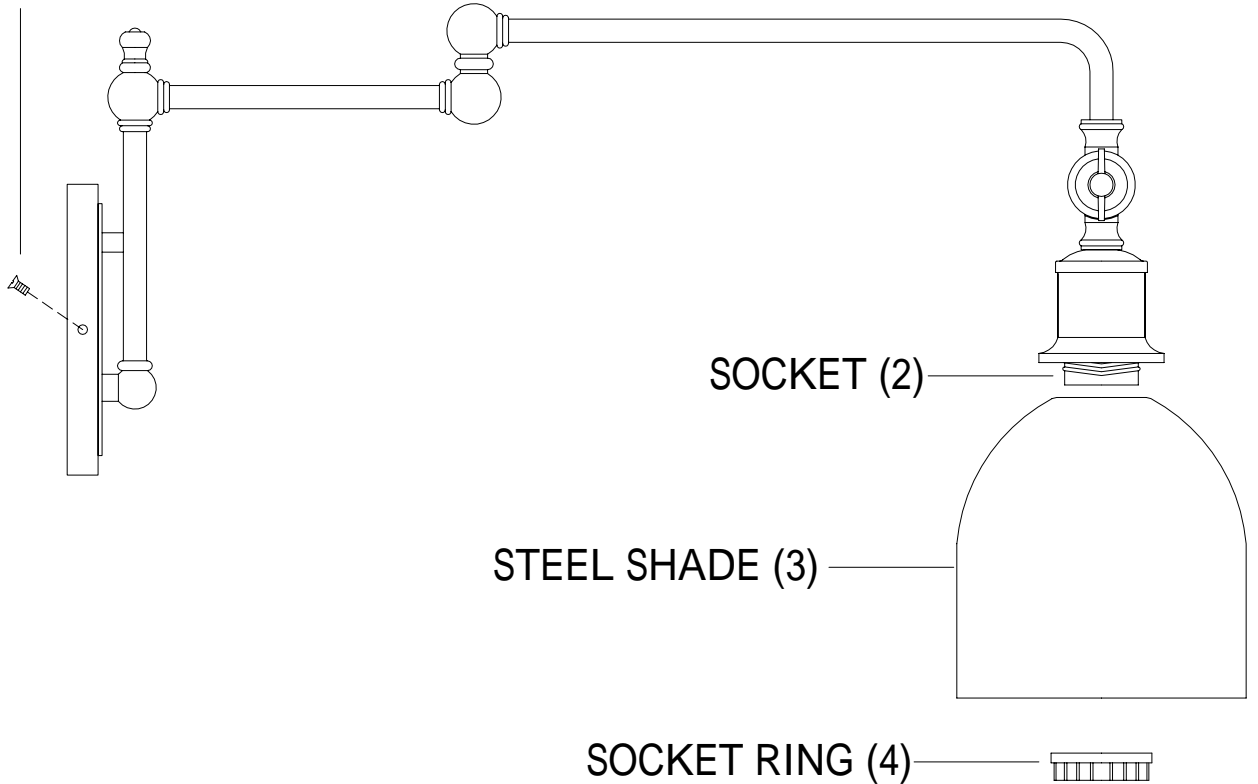


ITEM NO:M90019MBK  
M90019NB

SCREW (1)



## INSTALLATION INSTRUCTIONS

1. Carefully remove the fixture out of the carton, and check that all parts are included referring to the above illustration. Make sure not to misplace any parts that are needed for the installation;
2. Install the steel shade (3) onto socket (2), then secure them with socket ring (4).
3. Install the bulb (NOT PROVIDED) into socket (2).
4. Fixture is ready for lamping and installation.