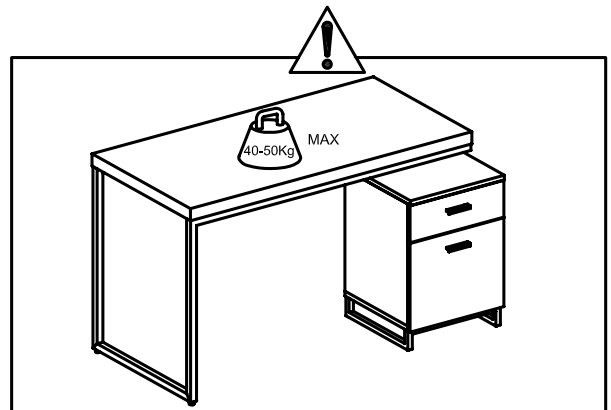
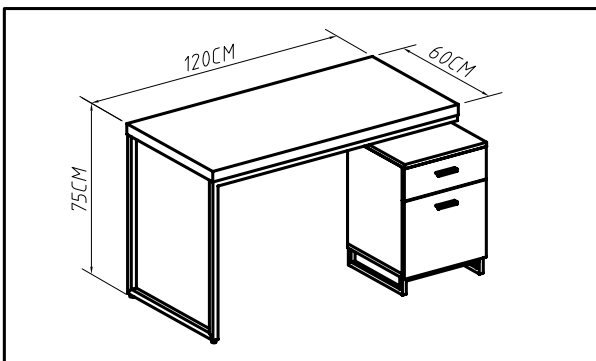
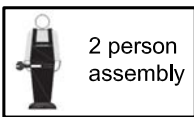
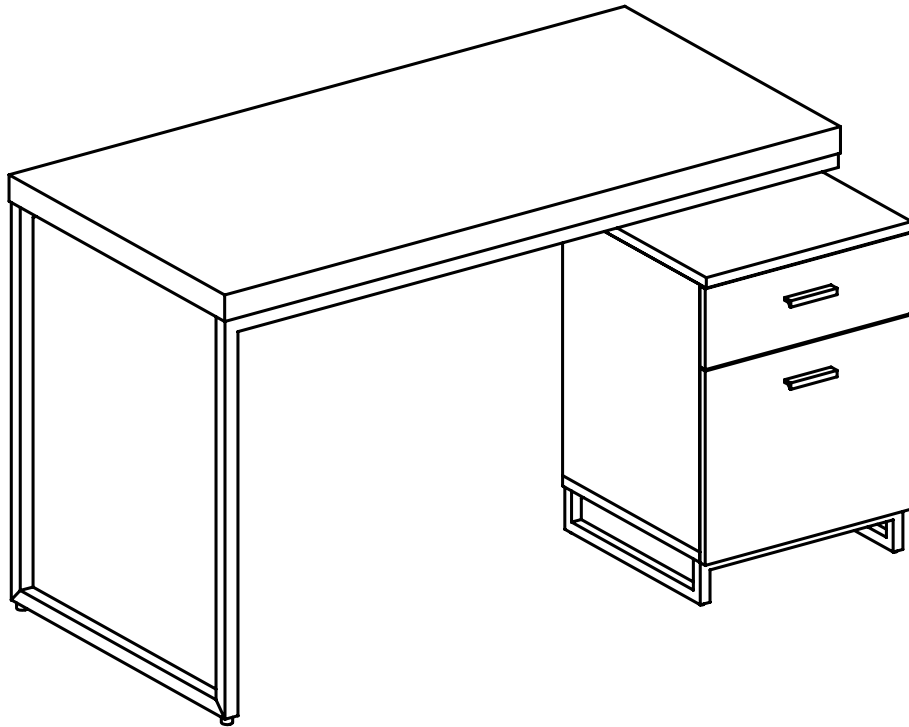
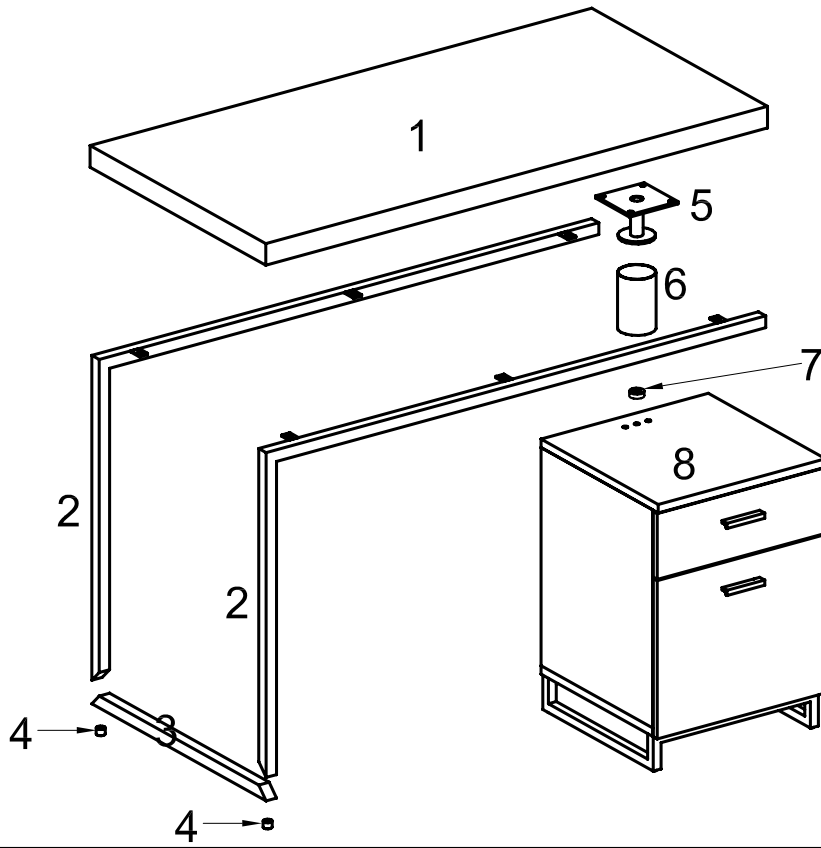


ER-1075-18



COMPONENTS



TOOLS INCLUDED



1x6MM 1x5MM 1x4MM

HARDWARE



Ax2 pcs
(M8*60)



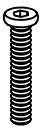
Bx10 pcs
(M8*25)



Cx13 pcs
(Ø8)

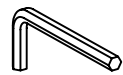
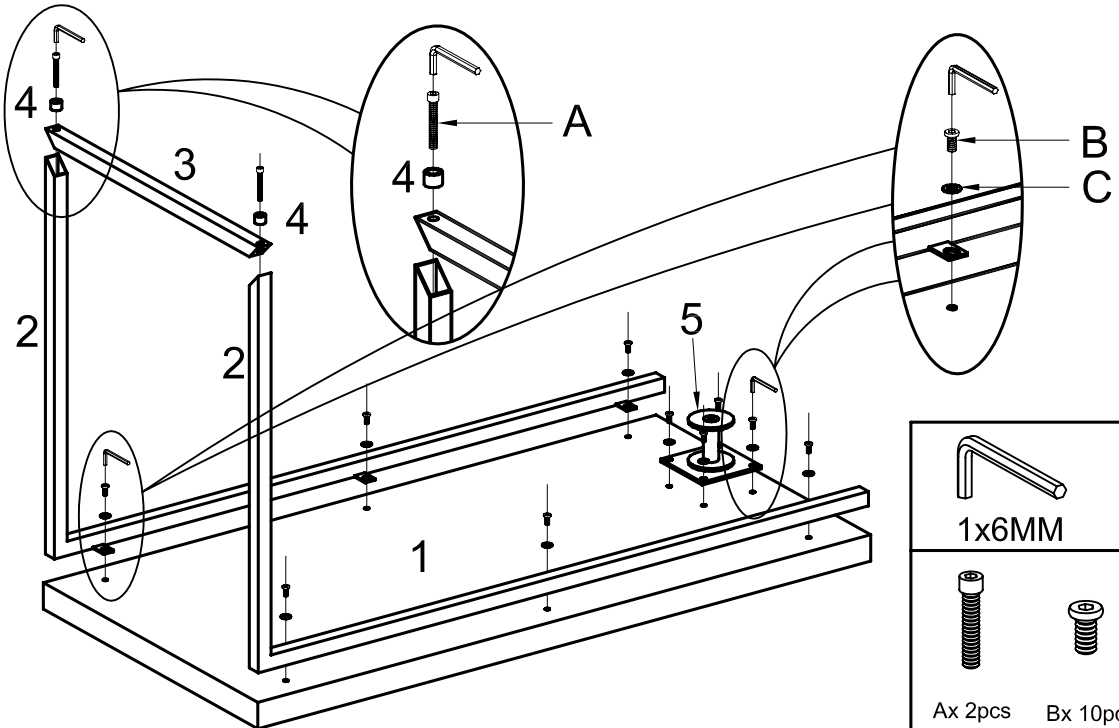


Dx2 pcs
(M8*30)

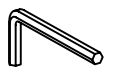


Ex1 pc
(M8*90)

1 ▶



1x6MM



1x5MM



Ax 2pcs

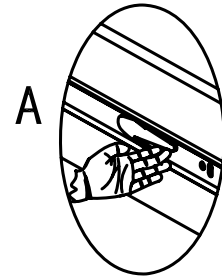
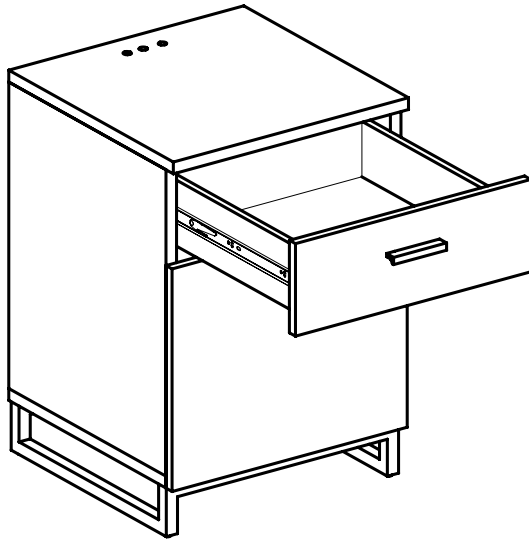


Bx 10pcs



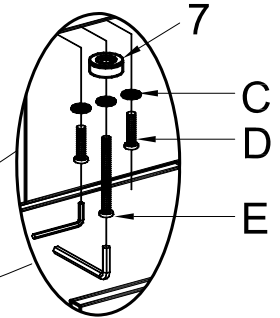
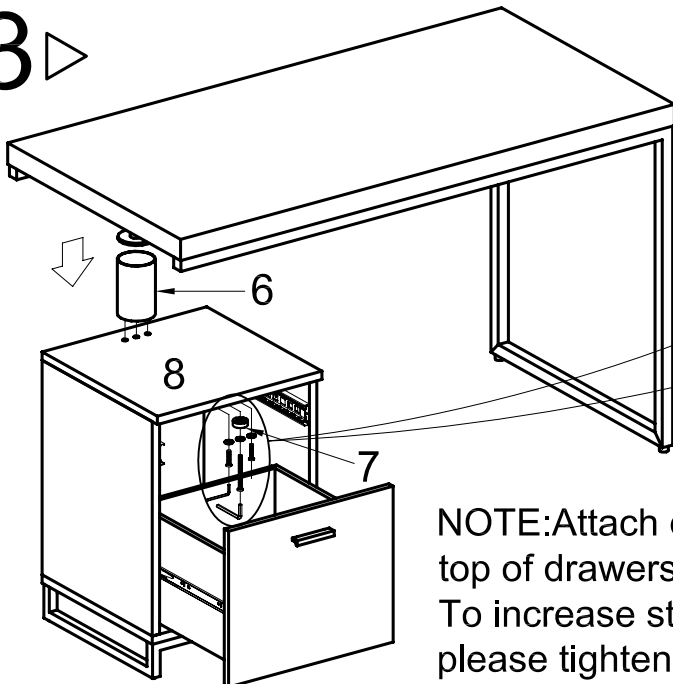
Cx 10pcs

2 ▷

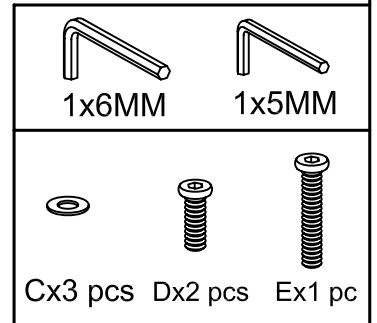


NOTE: Before attaching the desk top remove the top drawer of the cabinet .To do this release the locks within the drawer runners as shown in picture A.

3 ▷



NOTE: Attach desk top from beneath top of drawers.
To increase stability of desk top please tighten bolt E.



4 ▷

