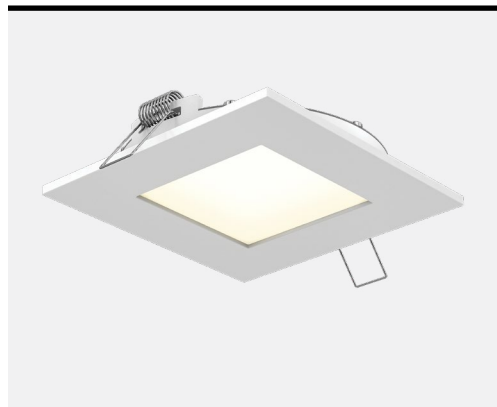


MODEL NAME **5004SQ-CC**
EXCEL SQUARE
4-Inch Square Recessed Panel Light

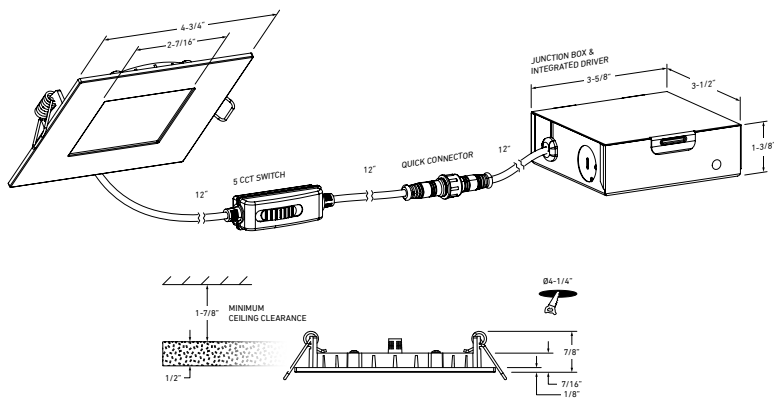
When looking for a modern design, a square lighting fixture is often the best choice. Even better, imagine being able to use a round cutout for installation.



PROJECT: _____ **TYPE:** _____

DATE: _____ **QTY:** _____

NOTES:

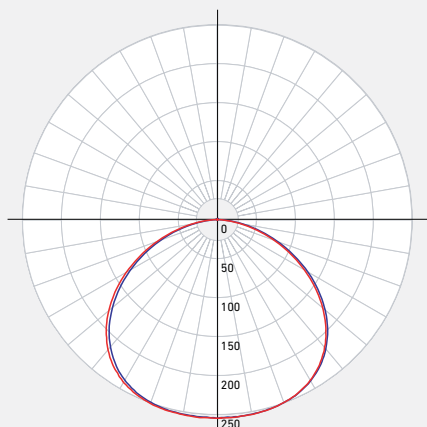


QUICK SPECS

SIZE	WATTS	DELIVERED LUMENS*	COLOR °T 5CCT	CRI	VOLTAGE	BEAM ANGLE	FINISH
4"	11W	770lm	2700K 3000K 3500K 4000K 5000K	80	120V	110°	○ White ● Black

*Lumen output measured at 3000K

LIGHT DISTRIBUTION



CONSTRUCTION

Lens Frosted	Type of optics Flat lens	Type of LED Edge-lit SMD
Lens material Acrylic	Housing material Cast aluminum	Cut hole size 4-1/4"

RATINGS

Placement Indoor/Outdoor	Lifespan 35,000 hrs.	FT rating FT4
Location Wet	Certifications ETL, FCC, ICES, ES IC, ASTM E283-04, T24	Operating temperature -20° to 40° C

WHAT'S IN THE BOX

- LED recessed fixture
- Junction box
- Push-in wire connectors
- Mounting hardware
- Instruction sheet

COMPATIBLE ACCESSORIES

- RFP-UNI**
Universal Drilling Plate For 2", 3", 4" and 6" fixtures
- RFP-46**
Drilling plate for 4" and 6" fixtures

COMPATIBLE ADAPTERS

- REC-EXT108**
108" extension cord for recessed fixtures
- REC-EXT230**
230" extension cord for recessed fixtures



**ELECTRICAL
DETAILS**

Input voltage
108-132V

Output current
250mA

Power factor
98%

Driver type
Constant current

Output voltage
30-46V

LED model #
2835

**THD harmonic
distortion**
<30%

Binning type
3 SDCM)

FEATURES

Every fixture includes a junction box with an integrated driver

Superior LED performance and lifespan

Minimal heat emission

Very low profile

Can be daisy chained

Smooth 360° wide spread

Frosted lens

Switch-selectable CCT:
2700K/ 3000 K/ 3500 K/
4000 K/ 5000 K

Edge lit technology

WARRANTY

DALS offers a 5-year warranty from the date of purchase which covers repairs or replacement of defective parts of the housing, optics, and electronics. To contact DALS customer service call 1-877-430-1818 or send an e-mail to info@dals.com.

RECOMMENDED DIMMER LIST*

BRAND	MODEL #	DIMMER SPECS	GRADE	DIMMING RANGE (%)	MAX LOAD
Dals	SM-DIMSW Smart Dimmer	Triac, 250W LED/CFL	Compatible	Min: 7 / Max: 100	22
Lutron	DVCL-153PR-WH-C	Triac, 150 W Dimmable CFL/LED	Compatible	Min: 10 / Max: 100	13
Lutron	CTCL-153PDH-WH-C	Triac, 150 W Dimmable CFL/LED	Compatible	Min: 10 / Max: 100	13
Lutron	STCL-153PH-WH-C	Triac, 150 W Dimmable CFL/LED	Compatible	Min: 4 / Max: 100	13
Lutron	DVWCL-153PH-WHC	Triac, 150 W Dimmable CFL/LED	Compatible	Min: 10 / Max: 100	13
Lutron	MACL-153MRHW-WHC	Triac, 150 W Dimmable CFL/LED	Compatible	Min: 2 / Max: 100	13
Lutron	DVELV-300P-WH	300W electronic low voltage dimmer	Compatible	Min: 10 / Max: 100	27
Lutron	MA-PRO-WH	ELV, 250W LED/CFL	Compatible	Min: 2 / Max: 100	22
Lutron	Caseta PD-6WCL-WH-R-C	Triac, 300W Dimmable CFL/LED	Compatible	Min: 4 / Max: 100	27
Lutron	Caseta PD-5NE-WH-C	ELV, LED—up to 250 W	Compatible	Min: 4 / Max: 100	22
Lutron	Caseta PD-10NXD-WH	Triac, LED—up to 250 W	Compatible	Min: 1 / Max: 100	22
Leviton	6672-1LW	Triac, 150W Dimmable CFL/LED	Compatible	Min: 22 / Max: 100	13
Leviton	DSM10	Triac, 450W Dimmable CFL/LED	Compatible	Min: 19 / Max: 100	40
Leviton	6674	Triac, 150 W Dimmable CFL/LED	Compatible	Min: 13 / Max: 100	13
Leviton	IPL06-10Z	Triac, 150 W Dimmable CFL/LED	Compatible	Min: 21 / Max: 100	13
Leviton	DSL06-752	Triac, 150 W Dimmable CFL/LED	Compatible	Min: 20 / Max: 100	13
Leviton	D26HD-742-1RW	Triac, 300W LED/CFL	Compatible	Min: 11 / Max: 100	27
Legrand	RHCL453PNICCV4	Triac, 450W Dimmable CFL/LED	Compatible	Min: 13 / Max: 100	40
Legrand	ADTP703TUM4	Triac,450W Dimmable CFL/LED	Compatible	Min: 13 / Max: 100	40
Legrand	ADPD453LM2	Triac,450W Dimmable CFL/LED	Compatible	Min: 42 / Max: 100	40
Legrand	RHL373PW	Triac, 250W LED	Compatible	Min: 9 / Max: 100	22
Control 4	C4-APD120-WH	ELV, 120W LED	Compatible	Min: 0 / Max: 100	10

* Minimal buzzing noise may occur with some dimmers