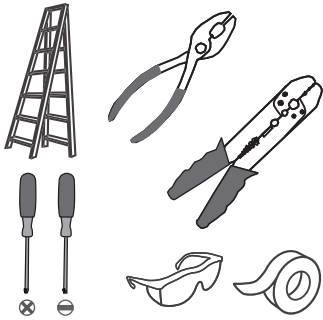


Tools Required



Light Source

17W
LED

Warnings and Cautions

Turn off the electricity at the circuit breaker before installation. Consult a licensed electrician if in doubt about installation.

Package Contents

Preparation: Identify and inspect all parts before beginning the installation.

Missing or damaged parts? Contact your original place of purchase.

PARTS BAG



A Crossbar
x 1



B Lock Screw
x 2



C Outlet Box Screw
x 2



D Wire Connector
x 3

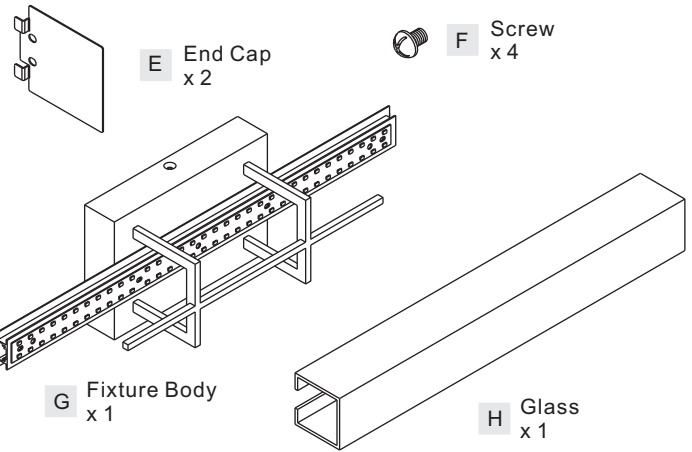
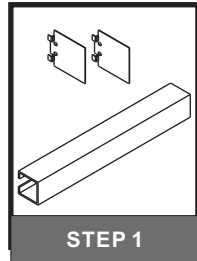


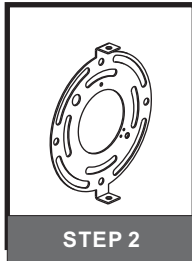
Table of Contents

Glass & End Caps



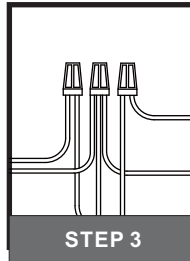
STEP 1

Crossbar



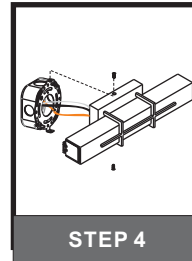
STEP 2

Wiring



STEP 3

Fixture Body

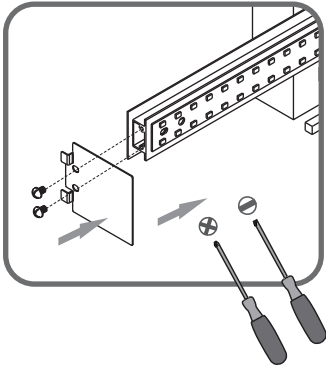


STEP 4

STEP 1

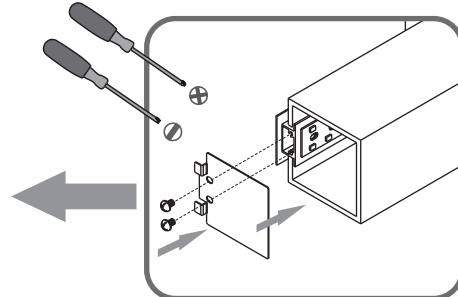
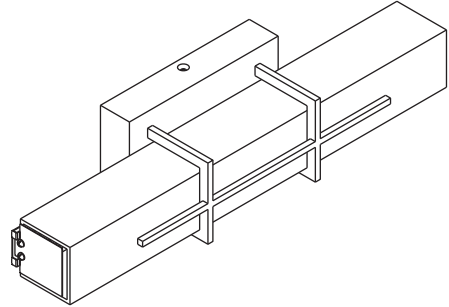
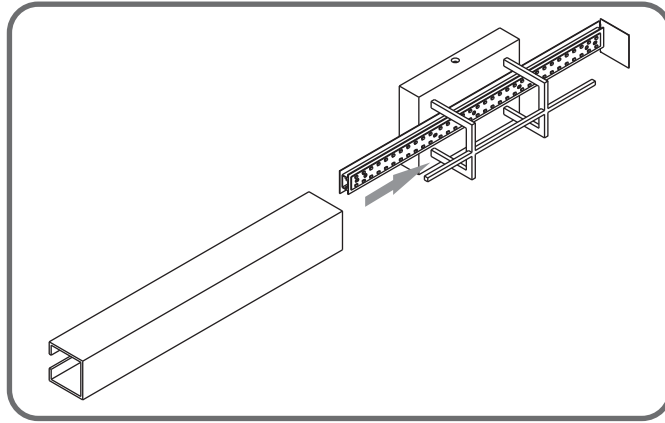
1

Install One End Cap



2

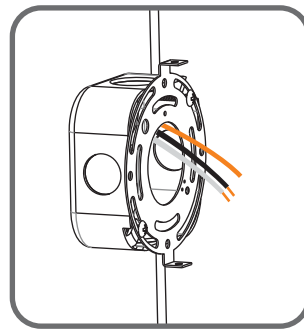
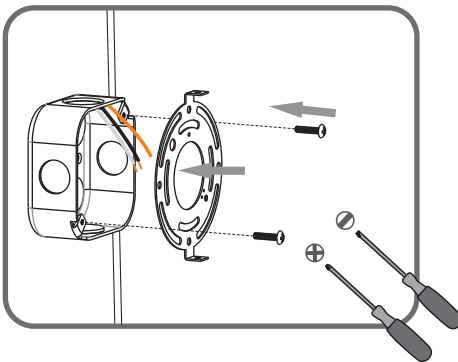
Install Glass



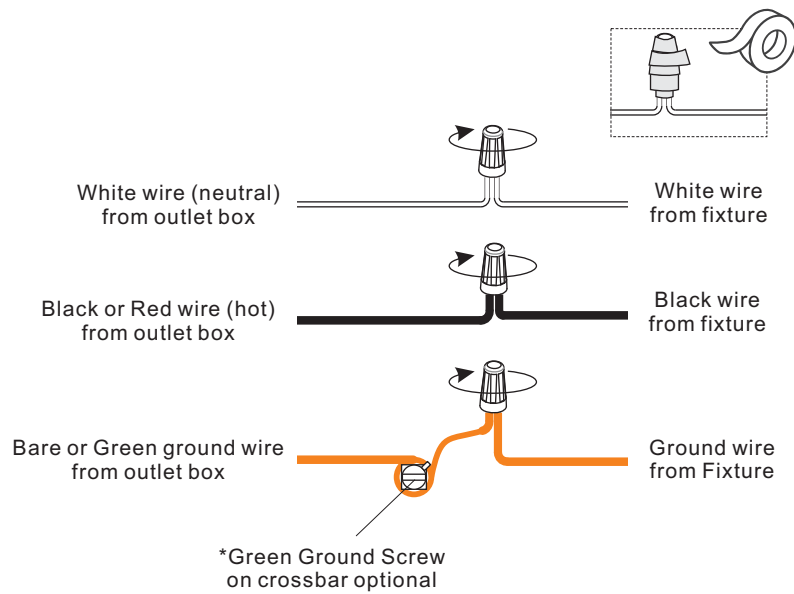
Install Another End Cap

3

STEP 2



STEP 3



STEP 4

