

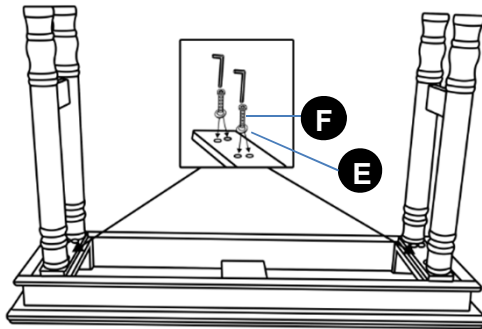


Assembly Instructions

Laying out all the parts and hardware and identifying each part as shown may help you when you assemble the console table.

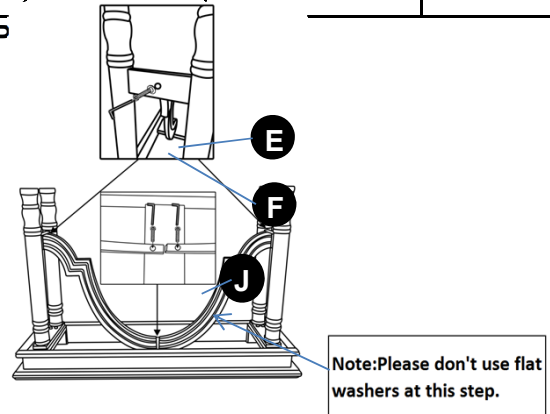
ITEM	PART	DESC.	QTY	ITEM	PART	DESC.	QTY
A		Table top	1	F		Bolts Ø6*30MM	10
B		Wooden leg	2	G		Bolts Ø8*30MM	4
C		Wooden supporter	2	H		Allen wrench (smaller)	1
D		Wooden base	1	I		Allen wrench	1
E		Flat washer	14	J		Bolts Ø6*40MM	2

STEP ONE



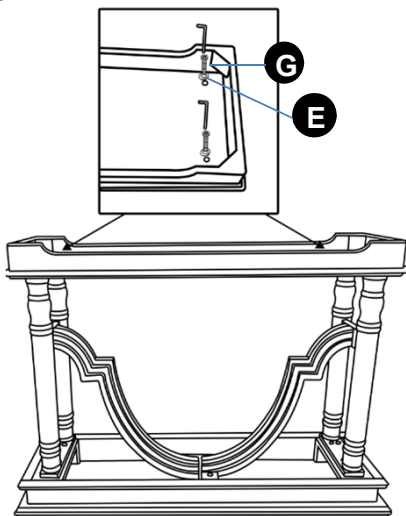
Put the table top upside down on soft & clean surface. Attach metal leg to the bottom of the table top with bolts "F", flat washers and Allen wrench "H" as shown above. Please don't fully tighten bolts.

STEP TWO



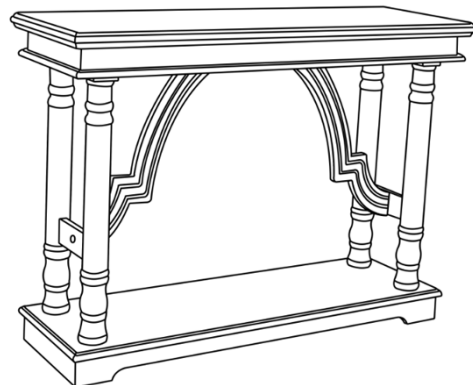
Attach wooden supporter to the unit with bolts "F", "J", flat washers and Allen wrench "H". Please don't fully tighten bolts.

STEP THREE



Attach wooden base to the end of leg with bolts "G", flat washers and Allen wrench "I".

STEP FOUR



Finish product. Please make sure all the bolts are fully tightened before using this table.