

# ASSEMBLY INSTRUCTIONS

## Lafayette Large Outdoor Bracketed Lantern

Item # NW 2703

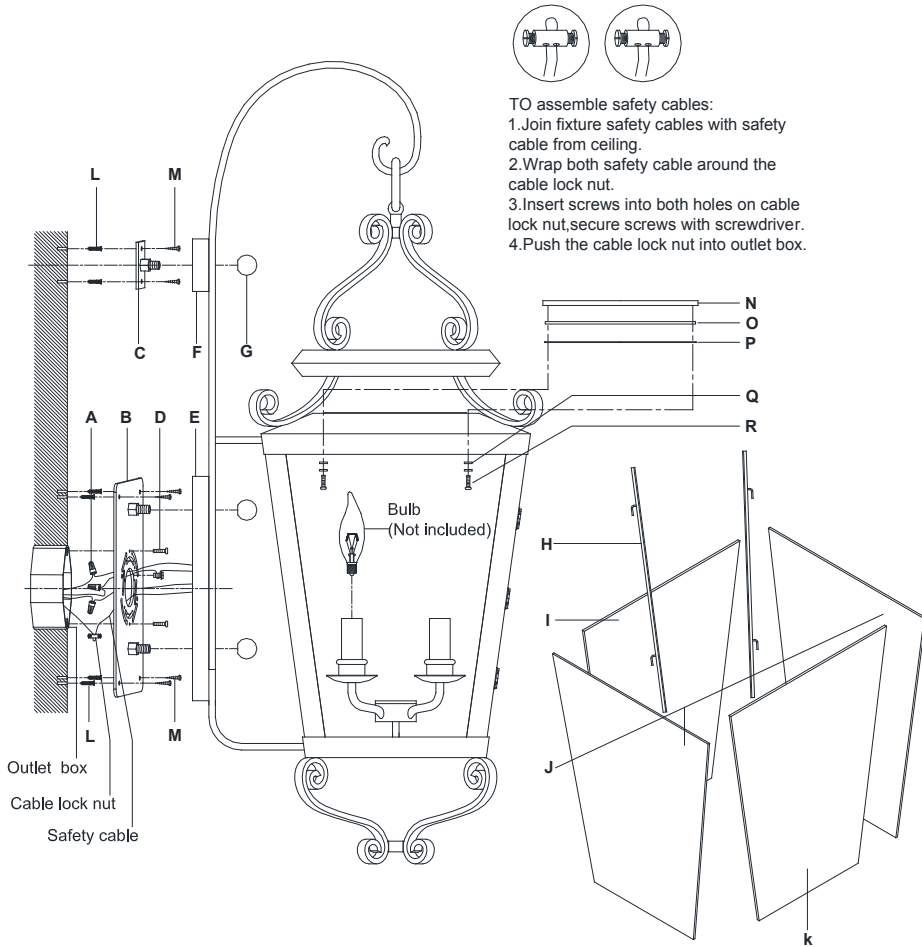
**WE RECOMMEND INSTALLATION OF THIS LIGHTING FIXTURE BE DONE BY A LICENSED ELECTRICIAN.**

**WARNING\*\*\*SWITCH OFF THE MAIN ELECTRICAL SUPPLY FROM THE MAIN FUSE BOX/CIRCUIT BREAKER BEFORE INSTALLATION.**

**INSPECT ITEM CAREFULLY BEFORE ATTEMPTING TO INSTALL. IF THERE IS ANY DAMAGE OR OBVIOUS DEFECT. DO NOT INSTALL.**

**ITEM MAY NOT BE RETURNED ONCE IT HAS BEEN INSTALLED.**

**NOTE: CAREFULLY UNPACK EACH PIECE IN TOP LAYER OF PACKING PRIOR TO REMOVING. RETAIN ALL PACKING MATERIAL UNTIL INSPECTION AND INSTALLATION ARE FINAL.**



- TO assemble safety cables:
1. Join fixture safety cables with safety cable from ceiling.
  2. Wrap both safety cable around the cable lock nut.
  3. Insert screws into both holes on cable lock nut, secure screws with screwdriver.
  4. Push the cable lock nut into outlet box.

1. Carefully remove all parts from the box.
2. Insert the glass panels (J) on the side of the frame, then insert the glass panel (I) on the back of frame and secure with metal bars (H).
3. Insert the glass panel (K) on the front of the frame and screw it by bending the metal tabs.
4. Attach the plastic washer (P), glass (O), metal ring (N) to the fixture body, then secure with plastic washer (Q) and screws (R).
5. Remove mounting plate (B & C) from the backplate (E & F) by loosening the ball nuts (G).
6. Drill 6 holes on the wall and make sure the distance will match to the mounting plate (B & C) holes.
7. Knock the anchors (L) into the wall holes.
8. Attach the mounting plate (B) to the outlet box and secure with mounting screws (D), then secure the mounting screws (M) to the anchors (L).
9. Attach the mounting plate (C) to the wall and secure with mounting screws (M).
10. Connect the fixture Ground (bare) wire with the ground wire from the outlet box using wire nut (A). If your house does not have ground wire, then attach this wire to the green grounding screw inside of the outlet box.  
  
IT IS IMPERATIVE THAT THIS FIXTURE BE GROUNDED.
11. Connect the fixture Neutral wire (WHITE) with the neutral wire from the outlet box using wire nut (A).

# ASSEMBLY INSTRUCTIONS

## Lafayette Large Outdoor Bracketed Lantern

Item # NW 2703

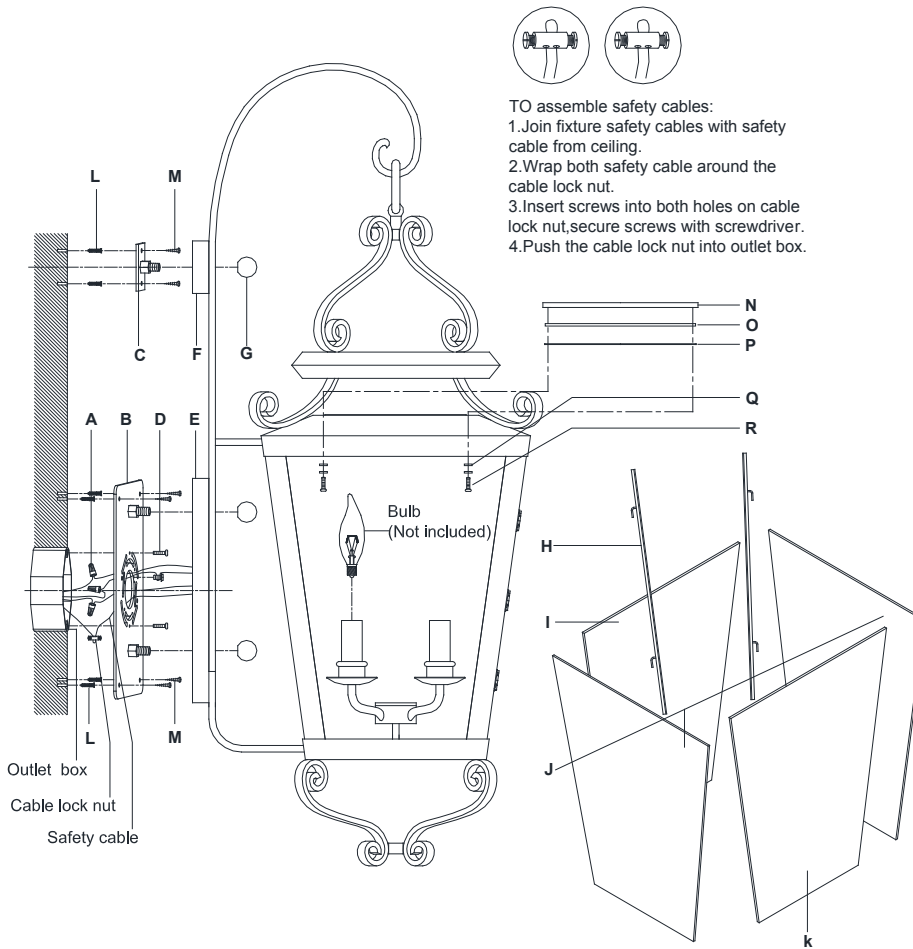
WE RECOMMEND INSTALLATION OF THIS LIGHTING FIXTURE BE DONE BY A LICENSED ELECTRICIAN.

WARNING\*\*\*SWITCH OFF THE MAIN ELECTRICAL SUPPLY FROM THE MAIN FUSE BOX/CIRCUIT BREAKER BEFORE INSTALLATION.

INSPECT ITEM CAREFULLY BEFORE ATTEMPTING TO INSTALL. IF THERE IS ANY DAMAGE OR OBVIOUS DEFECT. DO NOT INSTALL.

ITEM MAY NOT BE RETURNED ONCE IT HAS BEEN INSTALLED.

NOTE: CAREFULLY UNPACK EACH PIECE IN TOP LAYER OF PACKING PRIOR TO REMOVING. RETAIN ALL PACKING MATERIAL UNTIL INSPECTION AND INSTALLATION ARE FINAL.



- TO assemble safety cables:
1. Join fixture safety cables with safety cable from ceiling.
  2. Wrap both safety cable around the cable lock nut.
  3. Insert screws into both holes on cable lock nut, secure screws with screwdriver.
  4. Push the cable lock nut into outlet box.

12. Connect the fixture Hot (BLACK) wire with the hot wire from the outlet box using wire nut (A). DO NOT REVERSE THE HOT AND NEUTRAL CONNECTIONS OR SAFETY WILL BE COMPROMISED.
13. Attach backplate (E & F) to the mounting plate (B & C) and secure with ball nuts (G).
14. Insert bulbs (not included) into the sockets.
15. Installation is complete, turn on power at fuse or circuit breaker.

\*\*\*Clean with a dry, soft cloth only. Use no harsh abrasives or chemical agents.