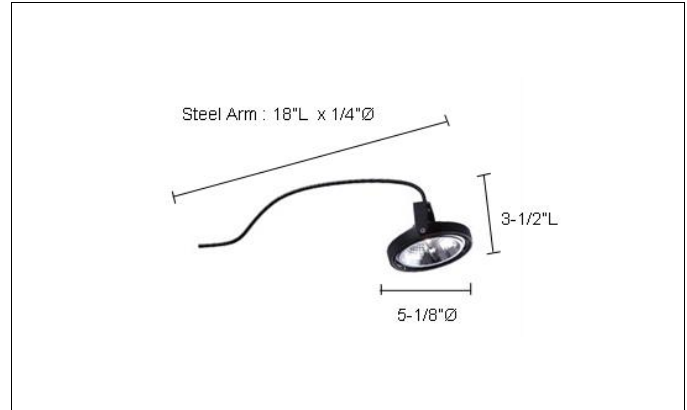




# ALCR153, ALFR153 • Series 153

COVE / CABINET / SHOWCASE / DISPLAY  
ARCLIGHTS • LOW VOLTAGE

Type	
Project	
Catalog No.	



### CATALOG INFORMATION

MODEL	FINISH
ALCR153	BKBK – Black Spot with Black Steel Arm
	STST – Satin Chrome Spot with Satin Chrome Steel Arm
	WHWH – White Spot with White Steel Arm
ALFR153	BKBK – Black Spot with Black Steel Arm
	STST – Satin Chrome Spot with Satin Chrome Steel Arm
	WHWH – White Spot with White Steel Arm

### DESCRIPTION / SPECIFICATIONS

**Series 153 – FRED:** ALCR153 (Clamp Arclight with Steel Arm) and ALFR153 (Fixed Arclight with Steel Arm)

- 135° of vertical aiming
- 90° horizontal
- Lamp: AR111 12V 50W (sold separately)
- Head dimensions: 5-1/8"Ø x 3-1/2"L
- Arm dimensions: 18"L
- Includes 6" Wire with AMP connector

### ORDERING INFORMATION

<b>Ordering Instructions</b>	<b>MODEL</b>	–	<b>FINISH</b>
<b>Example:</b>	ALFR153	–	STST

### FEATURES / APPLICATIONS

- Low Voltage units have AMP connectors and require remote transformers
- Trade-show booth and wall displays
- Hotel and trade-show lobby, entry and event signage
- Commercial office displays and corporate showroom display lighting
- Hair styling studios
- Special event lighting in museums and galleries
- Specialty merchandise display lighting in retail or department stores

### 12V TRANSFORMERS

PLUG & PLAY TRANSFORMERS	
XF60P3-BK	Transformer with 6-light AMP – 60W
XF60P3-WH	Transformer with 6-light AMP – 60W
XF-60C	Transformer with 1-light AMP – 65W
XF-80C	Transformer with 6-light AMP – 80W
XF-105C	Transformer with 6-light AMP – 105W
XF-150C	Transformer with 6-light AMP – 150W

HARD WIRE TRANSFORMERS	
LVT-151-12	Lightech Transformer – 150W
LVT-303-12	Lightech Transformer – 300W



www.jescolighting.com  
support@jescolighting.com  
**Tech Support:** 855.592.0029

6625 Traffic Ave  
Glendale, NY 11385  
**Main Line:** 800.527.7796  
**Fax Line:** 855.265.5769

219 South 6<sup>th</sup> Ave  
City of Industry, CA 91746  
**Main Line:** 855.654.0110  
**Fax Line:** 626.333.2955

Rev 18  
10/1/2013

*Specifications subject to change without notice.*