



# CAL LIGHTING

3625 E. Philadelphia St. Ontario CA. 91761 • Tel: 909.947.5200 • Fax:  
909.947.5673 • www.calighting.com • service@calighting.com •  
Specifications subject to change without notice

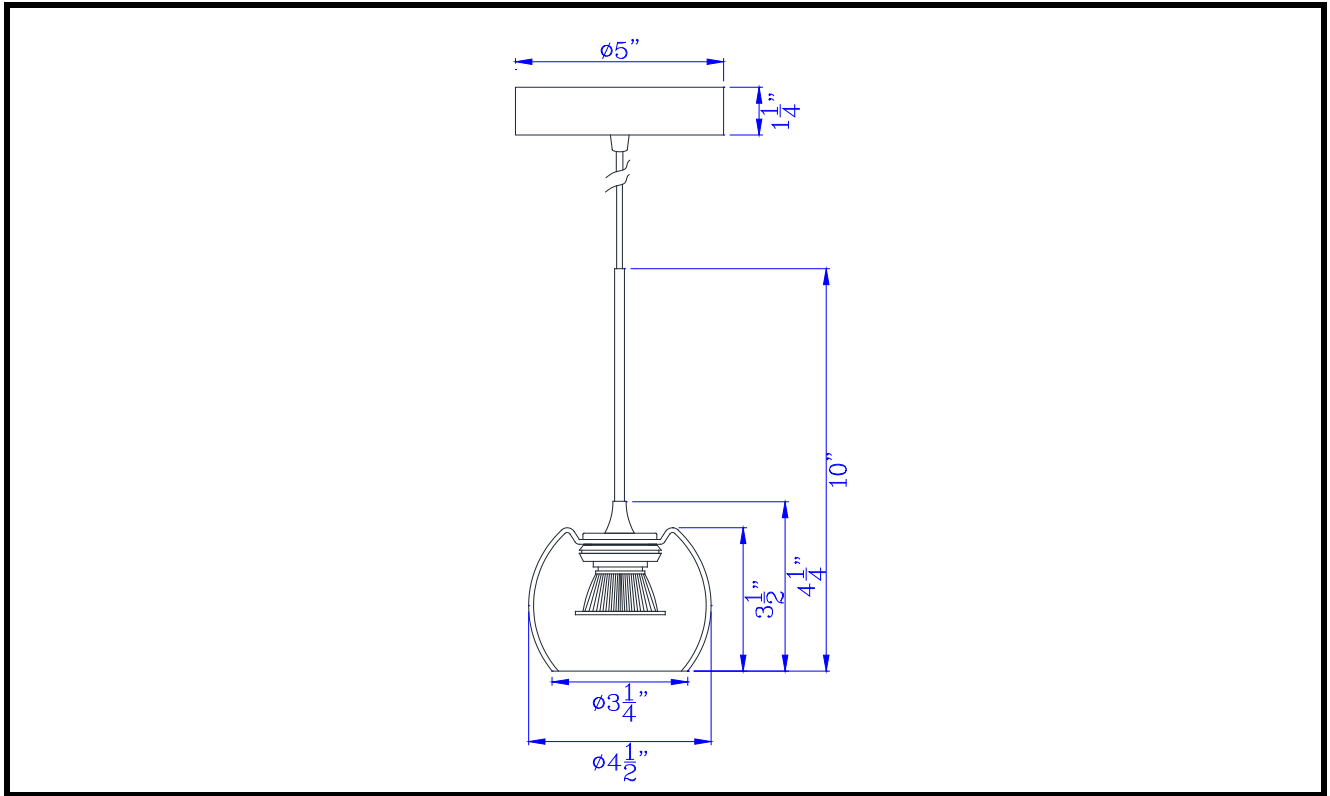
Type: \_\_\_\_\_

Project: \_\_\_\_\_

Catalog No.: \_\_\_\_\_

Lamp/Wattage: \_\_\_\_\_

## Drawing:



**Model No:** UP-1122  
**Description:** Ithaca dimmable LED glass mini pendant with clear crackle glass  
**Material:** Metal/Glass  
**Finish :** brushed Steel  
**Height:** 10"  
**Width:** 4 1/2"  
**Reach:** 4 1/2"  
**Wattage :** 8W  
**Socket :** LED  
**Bulb:** LED  
**Wire Length:** 6'  
**Wire Color:** Silver  
**Dimming:** Dimmable, DVCL-153P/SCL-153P/AYCL-153P/CTCL-153P/DVCL-253P/  
GT-150/GTJ-250M (ALL ARE LUTRON BRAND)  
**Color Temp:** 3000K  
**Lumen :** 600  
**CRI :** 90  
**Beam:** 36  
**Efficacy:** 75  
**Rated Life :** 30,000 hours  
**Warranty:** Three Years

**Certificate :**

