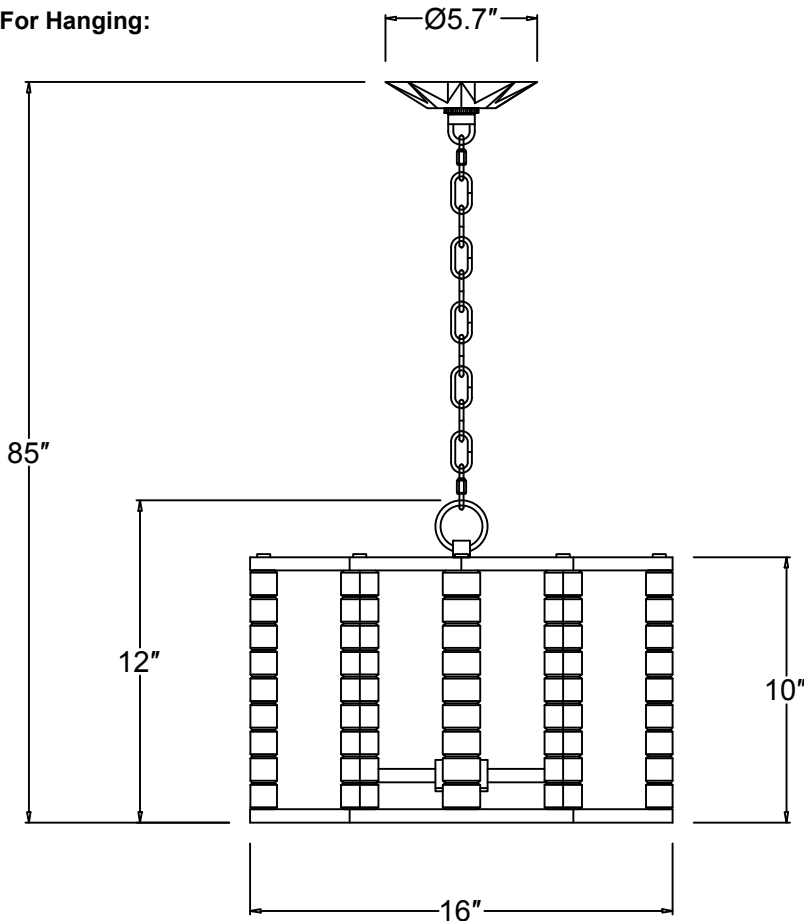


# CRYSTORAMA

LIGHTING THE WAY FOR SIXTY YEARS

## ASSEMBLY INSTRUCTION MODEL #8854-PN\_CEILING

### For Hanging:



### WARNING

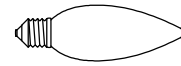


Electrical Danger



Turn Power Off

All electrical components must be installed by a licensed electrician in accordance with the National Electric Code and the appropriate local electrical codes.



You will need 4-Candelabra Bulb  
60 watts Max Bulb not included  
USE LED BULBS FOR EXTENDED USE  
This fixture is DRY rated

### How to Install

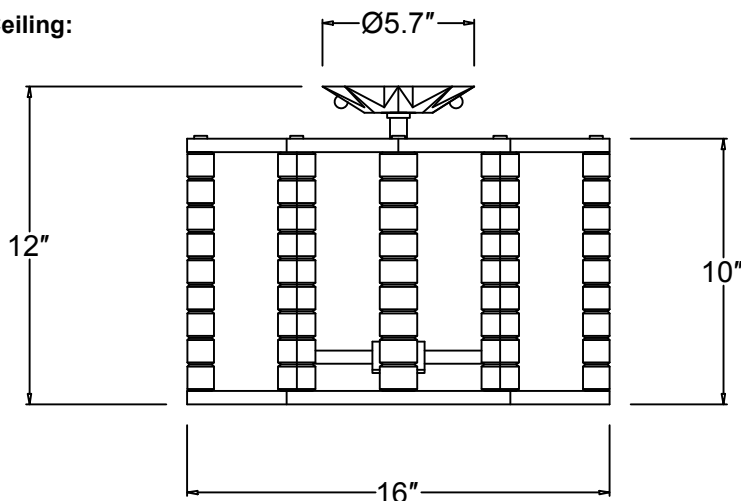
#### For hanging

1. Decide the preferred hanging height and choose the chain needed.
2. Fix the mounting plate to the ceiling and connect the canopy to the mounting plate.

#### For ceiling

1. Take the fixture loop off and attach the canopy with two mounting holes onto the frame. secure it with hex nut
2. Install the frame onto the ceiling.

### For Ceiling:



WARNING: This product can expose you to Lead, which is known to the State of California to cause cancer and/or birth defects or reproductive harm. For more information go to [www.P65Warnings.ca.gov](http://www.P65Warnings.ca.gov)

# CRYSTORAMA

LIGHTING THE WAY FOR SIXTY YEARS

PART NUMBER MODEL #8854-PN\_CEILING

## Part Number

### Part Numbers

- A. Mounting Hardware for hanging
  - (1) Mounting Strap
  - (2) Wire Nut
  - (2) Outlet Box Screws
- B. (1) Screw Collar Loop
- C. (1) Canopy; Ø5.7"x1"h; XMO8854PNCAN1IN
- D. Mounting Hardware for ceiling mount
  - (1) Mounting Plate
  - (2) Wire Nut
  - (2) Outlet Box Screws
- E. (1) Canopy for ceiling mount ;  
Ø5.7"x1"h; XMO8854PNCAN1IN
- F. (2) Ball nut; XMO8854PNBANUT
- G. (1) Collar Ring
- H. (2) Quick Link
- I. (1) Chain; 72"Lx Ø5.0mmT; XMO8854PNCHA5MM
- J. (1) Loop
- K. (1) Top Ring
- L. (1) Center Rod
- M. (8) Crystal Column
- N. (4) Candle Sleeve
- O. (1) Bottom Ring

