



## S601P

COVE / CABINET / SHOWCASE / DISPLAY  
LED SLIM STIX

Type	
Project	
Catalog No.	



### DESCRIPTION

S601P is an enhanced version of JESCO's ultra slim low profile S601. With 84 LEDs per foot, the product virtually eliminates hot spots, giving out even illumination. Units are interconnectable end-to-end and can also be linked using connecting cables. Almost no visible gap in between two fixtures when they are connected together, providing a sleek, seamless look. Compatible with Smart Track. Two mounting clips and one end cap included. Uses the same accessories as S601 and can easily be upgraded for most applications that are currently using the S601.

### SPECIFICATIONS

CRI	93 typical
Voltage	24V DC
Operating Temperature *	-22°F to 104°F
Beam Angle	130°
Lamp Life	50,000 hours
Maximum Run	20 ft
Housing	AL – Aluminum
Dimensions	13/32"W x 3/8"H
Environment	Indoor - Dry
Certifications	
Warranty	5 Years – see published warranty terms for detailed information.

\* Exceeding the operating temperature values may damage the LEDs by reducing the lifespan, lumen output, and adversely impact color consistency. It is recommended adequate airflow and heatsinking be taken into consideration in the installation and application of this product. Improper thermal management may lead to premature product failure and void the warranty.

### LUMEN DATA

Part Number	Watts*	Color Temp**	Lumens*	Efficacy* (lm/W)
S601P-08	2.4W	4000K	111.9lm	46.6
S601P-12	3.6W	4000K	167.9lm	46.6
S601P-24	7.2W	4000K	335.8lm	46.6
S601P-36	10.8W	4000K	503.7lm	46.6
S601P-48	14.4W	4000K	671.6lm	46.6
S601P-08	2.4W	3000K	108.0lm	45.0
S601P-12	3.6W	3000K	162.0lm	45.0
S601P-24	7.2W	3000K	324.0lm	45.0
S601P-36	10.8W	3000K	486.0lm	45.0
S601P-48	14.4W	3000K	648.0lm	45.0

\*(+/-10%)

\*\* (+/-200K)

### FEATURES

- Extruded aluminum housing and lens assures even light output while protecting LEDs.
- 84 LEDs/Feet results in no hot spots.
- High CRI >90.

### APPLICATIONS

- Cove and soffit lighting
- Path and contour marking
- Display lighting
- Under-shelf and under-cabinet lighting
- Accent and edge lighting
- Backlighting
- Signage

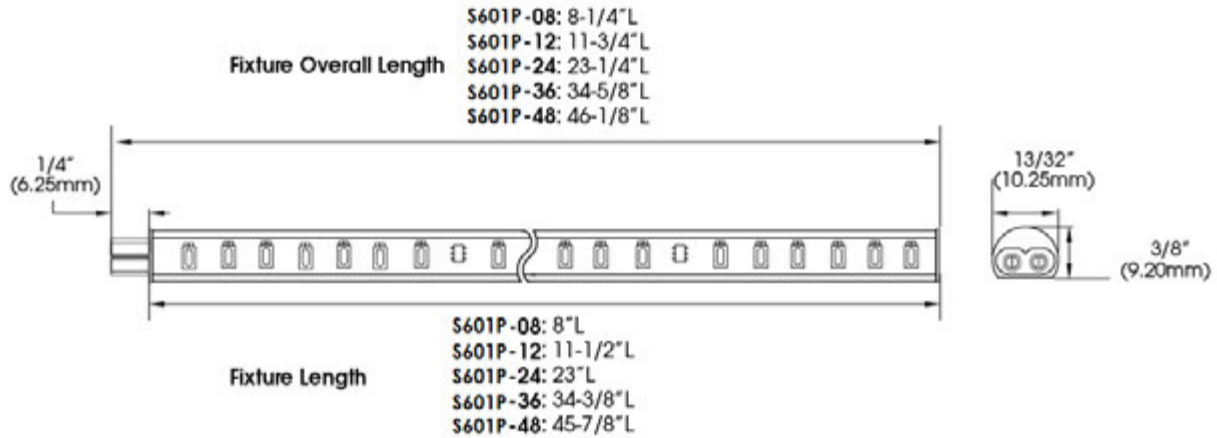


# S601P

COVE / CABINET / SHOWCASE / DISPLAY  
LED SLIM STIX

Type	
Project	
Catalog No.	

## DIMENSIONS



## ORDERING INFORMATION

MODEL	LENGTH*	COLOR
S601P		
	08 – 8-1/4 in	30 – 3000-3300K
	12 – 11-3/4 in	40 – 4000-4300K
	24 – 23-1/4 in	
	36 – 34-5/8 in	
	48 – 46-1/8 in	

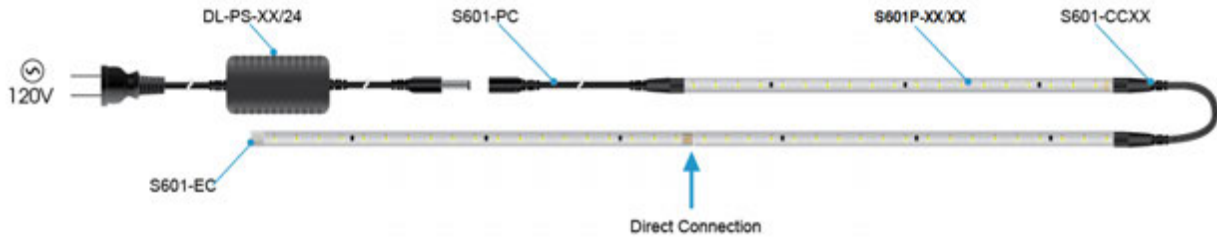
Example : S601P-12/30

\*Consult Factory for custom sizes (1" increments)

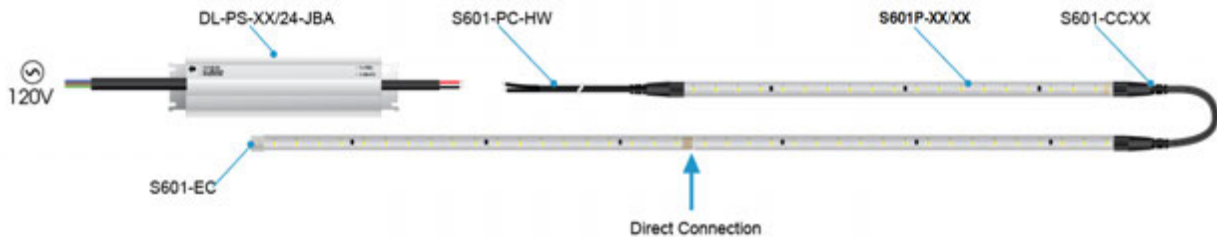
This fixture can be used with our BATT-LI portable power supply BATT-LI-24V-XXXWH. See BATT-LI spec sheet for details.

## WIRING DIAGRAMS – For reference purposes only. Not for installation. Not to scale.

### 1 PLUG AND PLAY



### 2 HARD WIRE



www.jescolighting.com  
support@jescolighting.com  
Tech Support: 855.592.0029

15 Harbor Park Drive  
Port Washington, NY 11050  
Main Line: 800.527.7796  
Fax Line: 855.265.5768

219 South 6<sup>th</sup> Ave  
City of Industry, CA 91746  
Main Line: 855.654.0110  
Fax Line: 626.333.2955

Specifications subject to change without notice.



# S601P

COVE / CABINET / SHOWCASE / DISPLAY  
LED SLIM STIX

Type	
Project	
Catalog No.	

**POWER SUPPLIES – See Specification Sheets for more information.**

If the Max Load of a power supply exceeds the fixture's Max Run, then you may install multiple runs per given power supply.  
 Wattage = Max power capacity of power supply. May need to be de-rated if operating at max temperature.  
 Max Load = Fixture quantity a power supply can power.  
 Max Run = Maximum length of a single run.

Hard-Wire Power Supplies Dry Location UL Listed (with Junction Box)		S601P-08 Max Run : 20 ft 2.4 W Max	S601P-12 Max Run : 20 ft 3.6 W Max	S601P-24 Max Run : 20 ft 7.2 W Max	S601P-36 Max Run : 20 ft 10.8 W Max	S601P-48 Max Run : 20 ft 14.4 W Max
Model Number	Wattage	Max Load	Max Load	Max Load	Max Load	Max Load
DL-PS-20/24-HWA	20	7	4	2	1	1
DL-PS-60/24-HWA	60	22	14	7	5	3
DL-PS-96/24-HWA	96	36	23	12	8	6

Hard-Wire Power Supplies Dry Location UL Listed (with Junction Box)		S601P-08 Max Run : 20 ft 2.4 W Max	S601P-12 Max Run : 20 ft 3.6 W Max	S601P-24 Max Run : 20 ft 7.2 W Max	S601P-36 Max Run : 20 ft 10.8 W Max	S601P-48 Max Run : 20 ft 14.4 W Max
Model Number	Wattage	Max Load	Max Load	Max Load	Max Load	Max Load
DL-PS-40/24-HW-DIM	40	14	9	5	3	2
DL-PS-60/24-HW-DIM	60	22	14	7	5	3
DL-PS-100/24-HW-DIM	96	36	23	12	8	6

Hard-Wire Power Supplies Dry Location UL Listed (with Junction Box)		S601P-08 Max Run : 20 ft 2.4 W Max	S601P-12 Max Run : 20 ft 3.6 W Max	S601P-24 Max Run : 20 ft 7.2 W Max	S601P-36 Max Run : 20 ft 10.8 W Max	S601P-48 Max Run : 20 ft 14.4 W Max
Model Number	Wattage	Max Load	Max Load	Max Load	Max Load	Max Load
DL-PS-20/24-JBA	20	7	4	2	1	1
DL-PS-60/24-JBA	60	22	14	7	5	3
DL-PS-96/24-JBA	96	36	23	12	8	6

Hard-Wire Power Supplies Dry Location UL Listed (with Junction Box)		S601P-08 Max Run : 20 ft 2.4 W Max	S601P-12 Max Run : 20 ft 3.6 W Max	S601P-24 Max Run : 20 ft 7.2 W Max	S601P-36 Max Run : 20 ft 10.8 W Max	S601P-48 Max Run : 20 ft 14.4 W Max
Model Number	Wattage	Max Load	Max Load	Max Load	Max Load	Max Load
DL-PS-40/24-JB-DIM	40	14	9	5	3	2
DL-PS-60/24-JB-DIM	60	22	14	7	5	3
DL-PS-100/24-JB-DIM	96	36	23	12	8	6

Plug and Play Power Supplies Dry Location UL Listed		S601P-08 Max Run : 20 ft 2.4 W Max	S601P-12 Max Run : 20 ft 3.6 W Max	S601P-24 Max Run : 20 ft 7.2 W Max	S601P-36 Max Run : 20 ft 10.8 W Max	S601P-48 Max Run : 20 ft 14.4 W Max
Model Number	Wattage	Max Load	Max Load	Max Load	Max Load	Max Load
DL-PS-WP24/24	24	9	6	3	2	1
DL-PS-24/24	24	9	6	3	2	1
DL-PS-48/24	48	18	12	6	4	3
DL-PS-60/24	60	22	14	7	5	3
DL-PS-60/24-CL2*	60	22	14	7	5	3
DL-PS-90/24-CL2*	90	33	22	11	7	5
DL-PS-100/24-CL2 *	96	36	23	12	8	6

\* Class 2

This fixture can be used with our BATT-LI portable power supply BATT-LI-24V-XXXWH. See BATT-LI spec sheet for details.



www.jescolighting.com  
 support@jescolighting.com  
 Tech Support: 855.592.0029

15 Harbor Park Drive  
 Port Washington, NY 11050  
 Main Line: 800.527.7796  
 Fax Line: 855.265.5768

219 South 6<sup>th</sup> Ave  
 City of Industry, CA 91746  
 Main Line: 855.654.0110  
 Fax Line: 626.333.2955

Specifications subject to change without notice.



**S601P**

COVE / CABINET / SHOWCASE / DISPLAY  
LED SLIM STIX

Type	
Project	
Catalog No.	

**POWER ACCESSORIES & COMPONENTS**

	Part Number	Description
	S601-PC S601-PCWH	Plug and Play Power Connector 18AWG, 18" L Black White
	S601-SW	Plug and Play Switch Box On/Off switch 1-5/8"L x 1-1/4"W x 1"H

	Part Number	Description
	S601-PC-HW	Hard-Wire Power Connector 18AWG, 12" L
	S601-EC	End Cap Inserts over the end of fixture or run for a finished look. (1) Included with each fixture.

**CONNECTION ACCESSORIES**

	Part Number	Description
	S601-CC3-BK or WH	3" Connecting Cable, black or white finish
	S601-CC6-BK or WH	6" Connecting Cable, black or white finish
	S601-CC12-BK or WH	12" Connecting Cable, black or white finish
	S601-CC15-WH	15" Connecting Cable, white finish
	S601-CC24-BK or WH	24" Connecting Cable, black or white finish
	S601-CC48-BK or WH	48" Connecting Cable, black or white finish

	Part Number	Description
	S601-FLEX-CON	0 - 180° flexible connector
	S601-R-CONN S601-L-CONN	90° Hard Right Connector 90° Hard Left Connector

**DIMMING OPTIONS**

DS-DV-TV-WH	Wall-Plate Dimmer
LC-DIM5A	0-10V Plug & Play Dimmer
LC-DIM5A-HW	0-10V Hardwire Dimmer
LC-DIM100-RF	Plug & Play Remote Step Dimmer
LC-DIM100-RF-HW	Hardwire Remote Step Dimmer
LC-200-RPT	Power Repeater
LC-DIM200-RF-HW	Simple Hand-held Radio Frequency Dimmer Controller
LC-RF-400H-DIM	Hand-held Radio Frequency Dimmer Controller
LC-RF-400W-DIM	Wall Mounted Radio Frequency Dimmer Controller
LC-RF-402W-DIM	Wall Mounted Dual Radio Frequency Dimmer Controller
LC-RF-400-RCV	Radio Frequency Receiver

See our complete line of remote, wall mounted and hand-held [DIMMING OPTIONS](#) online for more information.








**S601P**

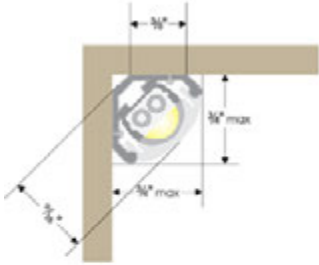


COVE / CABINET / SHOWCASE / DISPLAY  
LED SLIM STIX

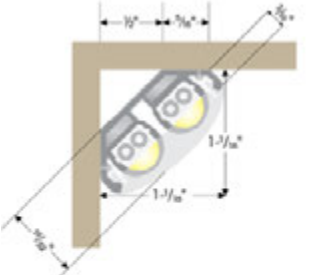

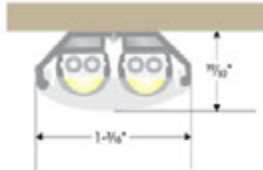
Type	
Project	
Catalog No.	

**MOUNTING ACCESSORIES**

	Part Number	Description
	S601-MC	Mounting Clip Sold as a pair (2) included with each fixture
	S601-CLASP	Clear Plastic Clasp (Press fit) Required when using the mounting channel in downward orientation

	Part Number	Description
	ACC-MT-MAG-02	3/8" Magnet May be applied to S601-MC or S601 fixture. Recommended 1 magnet per foot.

Part Number	Description
S601-CH6* S601-CH6 Channel - RECESSED	6' Mounting Channel May be installed at a 0° angle or 45° angle. Field cuttable. Single run of S601 fixture
	
S601-CH6 Channel - SURFACE MOUNTED	

Part Number	Description
S601-CH6T* S601-CH6T Channel - RECESSED	6' Twin Mounting Channel May be installed at a 0° angle or 45° angle. Field cuttable. Parallel runs of S601 fixture
	
S601-CH6T Channel - SURFACE MOUNTED	

\*Mounts with screws (by others), recommended 6 per feet.

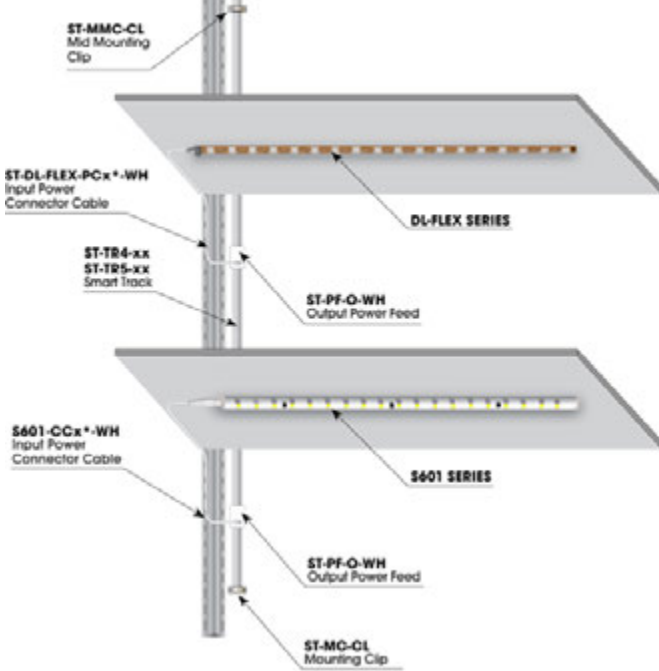


# S601P

COVE / CABINET / SHOWCASE / DISPLAY  
LED SLIM STIX

Type	
Project	
Catalog No.	

## SMART TRACK SYSTEM



**ST-PF-O-WH**  
Output Power Feed  
Voltage: 24V DC  
Max Load: 72W  
Dimensions: 1"W x 1"H x 1"L  
Material: Plastic  
Color: WH-White



**ST-PF-I-WH**  
Input Power Feed  
Voltage: 24V DC  
Max Load: 100W  
Dimensions: 1"W x 1"H x 1-1/2"L  
Material: Plastic  
Color: WH-White



**Input Power Connector Cable**  
Connects S601 series to ST-PF-O

Part Number	Length	Finish
S601-CC15-WH	15 in	White
S601-CC24-WH	24 in	White



**Input Power Connector Cable**  
Connects DL-FLEX series to ST-PF-O

Part Number	Length	Finish
ST-DL-FLEX-PC15-WH	15 in	White
ST-DL-FLEX-PC24-WH	24 in	White



**ST-MC-CL**  
Mounting Clip for ST track  
Dimensions: 1-1/16" W x 3/8" H x 1/2" L  
Can only attach to the ends of the Smart Track  
(2) included with Smart Track



**ST-PF-O-CC2-WH**  
Connecting cable for output power feed  
Joins two tracks  
Length: 2-1/4"



**ST-MMC-CL**  
Mid Mounting Clip for ST track  
Dimensions: 1-1/16" W x 3/8" H x 1/2" L  
Applied to the middle of Smart Track for added stability.  
(3) included with Smart Track



**ST-TRx-xx**  
Smart Track

Part Number	Length	Finish
ST-TR4-xx	47-1/4"	White or Clear
ST-TR5-xx	60"	White or Clear
ST-TR8-CL	96"	Clear



www.jescolighting.com  
support@jescolighting.com  
Tech Support: 855.592.0029

15 Harbor Park Drive  
Port Washington, NY 11050  
Main Line: 800.527.7796  
Fax Line: 855.265.5768

219 South 6<sup>th</sup> Ave  
City of Industry, CA 91746  
Main Line: 855.654.0110  
Fax Line: 626.333.2955

Specifications subject to change without notice.