

HINKLEY

INDOOR/OUTDOOR FAN

# 60" CHISEL™



---

CEILING FAN INSTRUCTION MANUAL

## WE WANT YOU TO LOVE YOUR NEW FAN

SO WE'RE HERE IF YOU HAVE A QUESTION, NEED SOME HELP OR WANT TO CHAT ABOUT OUR PRODUCTS. SEND SUGGESTIONS OUR WAY TOO—WE'RE ALWAYS LOOKING TO MAKE YOUR EXPERIENCE WITH HINKLEY A POSITIVE ONE.

> [SERVICE@HINKLEY.COM](mailto:SERVICE@HINKLEY.COM)

> [800.HINKLEY](https://www.800.hinkley.com)

> LET'S SEE THAT HINKLEY STYLE [@HINKLEY](https://www.instagram.com/hinkley)  
[#HINKLEYSSTYLE](https://www.instagram.com/hinkley)

---

This manual contains complete instructions for the installation and operation of this fan. It has been designed to make the installation process as easy as possible. If you are unfamiliar or uncomfortable with wiring, please contact a qualified electrician. If you need additional assistance or have any questions, please reach out to us.

---

For warranty information, visit [hinkley.com](https://www.hinkley.com).

## TABLE OF CONTENTS

02	GENERAL INSTALLATION & OPERATING INSTRUCTIONS	11	INSTALLING THE WALL CONTROL
03	IMPORTANT SAFETY PRECAUTIONS	12	OPERATION
03	TOOLS & MATERIALS REQUIRED	14	CARE AND CLEANING
04	UNPACKING YOUR FAN	14	TROUBLESHOOTING
05	PREPARATION	15	ENERGY GUIDE
05	INSTALLING THE HANGING BRACKET	15	SPECIFICATIONS
06	HANGING THE FAN	15	SMART BY BOND
08	ELECTRICAL CONNECTIONS		
09	FINISHING THE INSTALLATION		
10	BLADE ATTACHMENT		

**NOTE:** Limit one fan per power circuit.

### **WARNING:**

Read and follow these instructions carefully and be mindful of all warnings shown throughout.

## GENERAL INSTALLATION & OPERATION INSTRUCTIONS

- 1 To ensure the success of the installation, be sure to read the instructions and review the diagrams thoroughly before beginning.
- 2 To avoid possible electric shock, be sure electricity is turned off at the main power box before wiring. All electrical connections must be made in accordance with local codes, ordinances and/or the National Electric Code. If you are unfamiliar with the methods of installing electrical wiring and products, secure the services of a qualified and licensed electrician as well as someone who can check the strength of the supportive ceiling members and make the proper installation(s) and connections.
- 3 **WARNING:** To reduce the risk of fire, electric shock, or other personal injury, mount fan only on an outlet box or supporting system marked acceptable for fan support of 35 lbs (15.9 kg) or less and use mounting screws provided with the outlet box. Most outlet boxes commonly used for the support of lighting fixtures are not acceptable for fan support and may need to be replaced. Consult a qualified electrician if in doubt.
- 4 Make sure that your installation site will not allow rotating fan blades to come in contact with any object. Blades should be at least 7 feet from floor.
- 5 Blades should be attached after motor housing is hung and in place. Fan motor housing should be kept in the carton until ready to be installed to protect its finish. If you are installing more than one ceiling fan, make sure that you do not mix fan blade sets, as each blade is part of a weighted set.
- 6 After making electrical connections, spliced conductors should be turned upward and pushed carefully up into outlet box. The wires should be spread apart with the common conductor and the grounding conductor on one side of the outlet box, and the "HOT" wires on the other side.
- 7 Electrical diagrams are for reference only. Light kits that are not packed with the fan must be UL listed and should be installed per the light kit's installation instructions.
- 8 After fan is completely installed, check to make sure that all connections are secure to prevent fan from falling and/or causing damage or injury.
- 9 The fan can be made to work immediately after installation - the bearings are adequately charged with grease so that, under normal conditions, further lubrication should not be necessary for the life of the fan.
- 10 To operate the reverse function on this fan, press the reverse button while the fan is running.

**NOTE:** Limit one fan per power circuit.

## IMPORTANT SAFETY PRECAUTIONS

### WARNINGS:

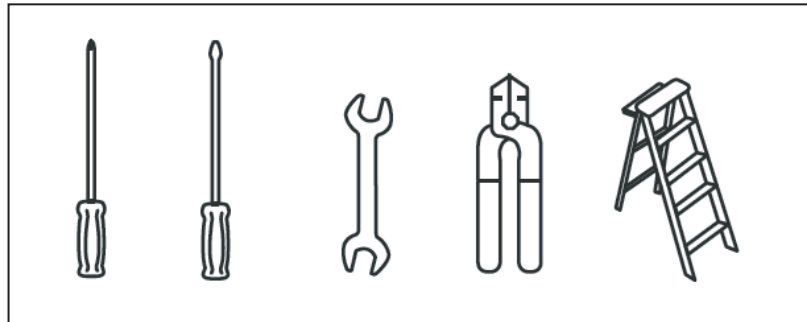
- Disconnect power by removing fuse or turning off circuit breaker before installing the fan and/or optional lighting.
- Support directly from building structure.
- To reduce the risk of fire, electric shock or personal injury, mount to outlet box marked "acceptable for fan support" and use mounting screws provided with the outlet box. Most outlet boxes commonly used for the support of lighting fixtures are not acceptable for fan support and may need to be replaced. Consult a qualified electrician if in doubt.
- Do not use an incandescent light dimmer. Do not use this fan with any transformer type fan speed control device.
- To reduce the risk of personal injury, do not bend the blade arms when installing them, balancing the blades or cleaning the fan. Do not insert any object(s) between rotating fan blades.

### NOTE:

The important precautions, safeguards and instructions appearing in this manual are not meant to cover all possible conditions and situations that may occur. It must be understood that common sense, caution and carefulness are factors which cannot be built into this product. These factors must be supplied by the person(s) installing, caring for and operating the unit.

## TOOLS & MATERIALS REQUIRED

- PHILLIPS SCREWDRIVER
- FLAT SCREWDRIVER
- WRENCH OR PLIERS
- WIRE CUTTER
- STEPLADDER
- WIRING SUPPLIES AS REQUIRED BY ELECTRICAL CODE



# UNPACKING YOUR FAN

UNPACK YOUR FAN AND CHECK THE CONTENTS.

- Do not discard the carton. If warranty replacement or repair is ever necessary, the fan should be returned in original packing. Remove all parts and hardware. Do not lay motor housing on its side, or the decorative housing may shift, be bent or damaged.
- Examine all parts. You should have the following:

PACKAGE CONTENT		
1	Blade Set of 3	BL903760FMB (Walnut) BL903760FMW (Weathered Wood) BL903760FGT(Driftwood)
2	Hanging Bracket	CA903744FMB CA903744FMW CA903744FGT
3	Ceiling Canopy and Trim Ring	CA903744FGT
4	Yoke Cover	YC903744FMW YC903744FGT
5	Downrod Asm.	DR94016FMB DR94016FMW DR94016FGT
6	Fan Housing with Motor *Remove rubber shipping supports around motor, if applicable. Save the screws.	
7	Receiver /Controller	CN903760
8	CHIRO Wall Control w/2032 Battery, Cradle A, Wall Plate, Face Plate, 2 Mounting Screws, Cradle B (for flat wall use only)	980014FWH-R
9	Hardware Bag	
	Blade to Motor Screws and Lock Washers and Flat Washers. Safety cable hardware (wood screw, "at washer) Bracket Mounting Hardware (wood screws, screws, lock washers, star washers, "at washers ) Balance Kit	MH903744FMB MH903744FMW MH903744FGT

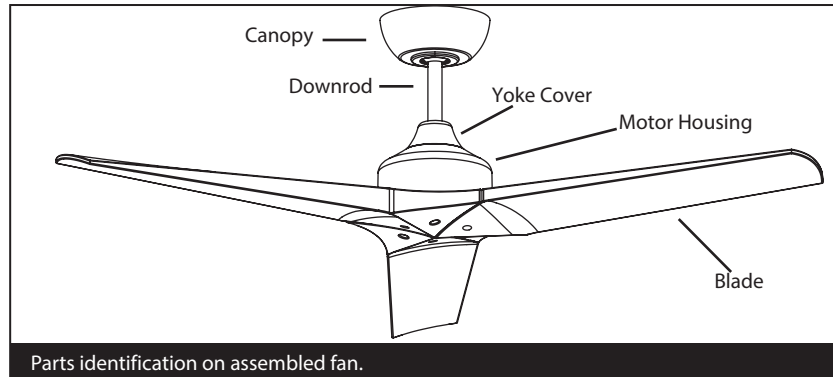
NOTE: Design of parts shown above may look slightly different for your specific model of fan.

## PREPARATION

### PREPARATION:

Verify you have all parts before beginning the installation. Check foam insert closely for missing parts. Remove motor from packing. To avoid damage to finish, assemble motor on soft padded surface or use the original foam insert in motor box.

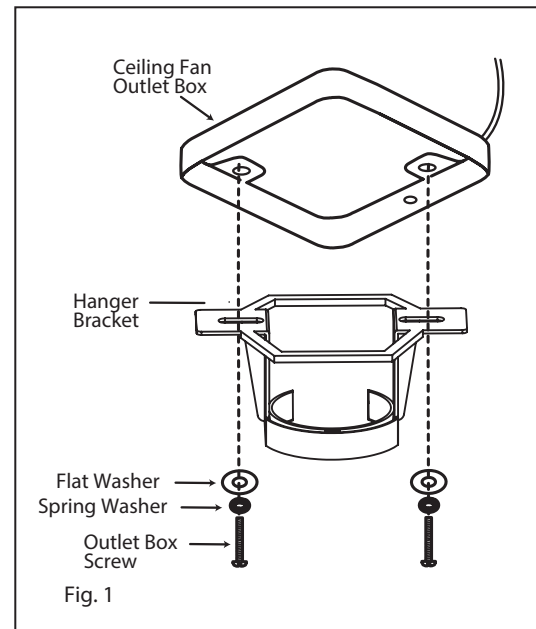
**DO NOT LAY MOTOR HOUSING ON ITS SIDE AS THIS COULD RESULT IN SHIFTING OF MOTOR IN DECORATIVE ENCLOSURE.**



## INSTALLING THE HANGING BRACKET

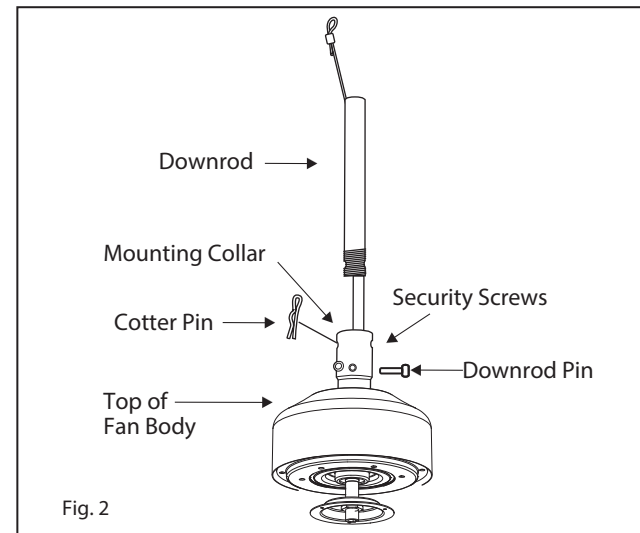
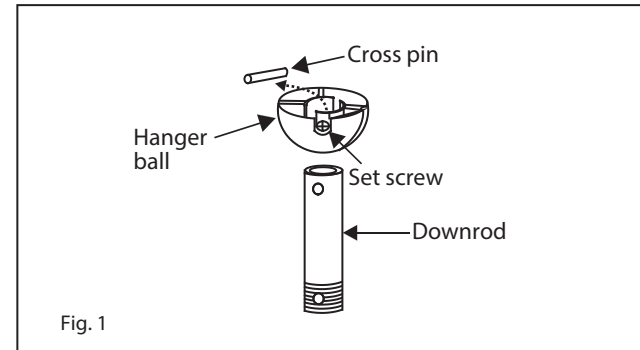
**CAUTION:** To avoid possible electrical shock, be sure electricity is turned off at the main power box before wiring. All wiring must be in accordance with National and Local Electrical Codes and the ceiling fan must be grounded as a precaution against possible electric shock.

- 1 Locate ceiling joist where fan is to be mounted, being sure location agrees with the requirements in the minimum clearance section of this guide. Wood joists must be sound and of adequate size to support 35 pounds (See page 2, items 3 and 4).
- 2 If not already present, mount a UL listed outlet box marked "suitable for fan support" following the instructions provided with the outlet box. The outlet box must be able to support a minimum of 35 pounds.
- 3 Remove canopy from hanger bracket. Remove twist-lock trim ring by rotating counter-clockwise. Remove canopy screw that does not have key slot in canopy. Loosen screw with key slot and remove canopy.
- 4 Attach hanging bracket to outlet box using screws provided with the outlet box.



## HANGING THE FAN

- 1 Remove ball from downrod by loosening set screw in the side of the ball. Slide ball down and remove ball pin; remove ball. (Fig. 1)
- 2 Carefully support fan body (motor) in its styrofoam packing with the mounting collar (where the wires come out) facing upward.
- 3 Loosen the two security set screws and remove the downrod pin and retaining clip from the coupler on top of the motor assembly. (Fig. 2)
- 4 Carefully feed the electrical lead wires and safety cable from the fan through the downrod. Thread downrod into coupler until holes align. Insert downrod pin through holes in mounting collar and downrod; clip cotter pin through small hole in end of downrod pin to hold downrod in place.
- 5 Tighten security set screws against downrod using a large "at blade screwdriver to ensure a tight fit against downrod. Tighten nuts against mounting collar.





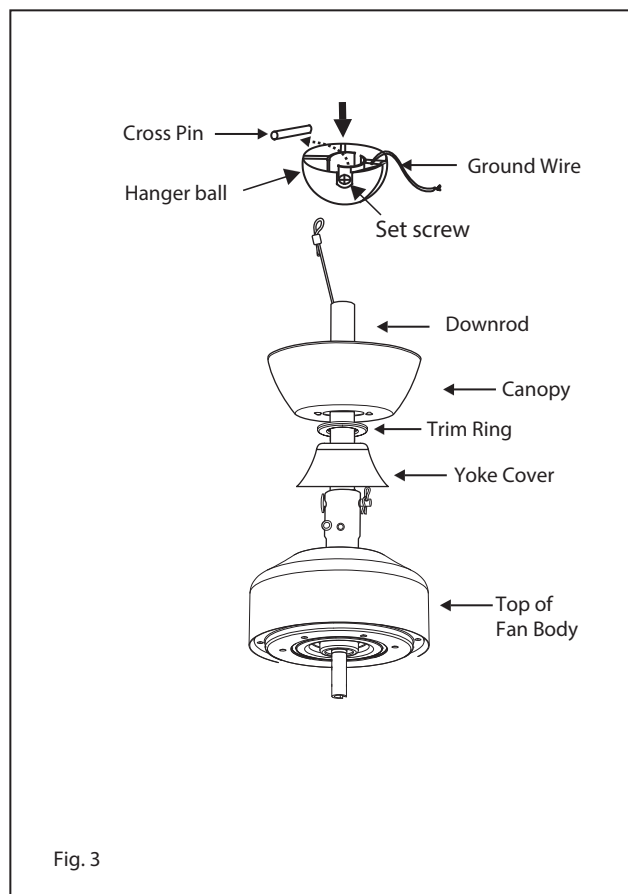
**REMEMBER** to turn off the power before you begin.

To properly install your ceiling fan, follow the steps below.

- 6 Slip the yoke cover, trim ring and canopy onto the downrod. (Fig. 3)
- 7 Slide the hanger ball onto the downrod, insert the cross pin through the downrod and tighten. Tighten the set screw.
- 8 Feed wires through holes in rubber ball moisture cap and slide cap down over top of ball. (Fig. 3)
- 9 Lift ball/downrod/fan into hanger bracket opening.  
NOTE: The tab opposite hanger bracket opening should fit in slot on ball. (Fig. 4)

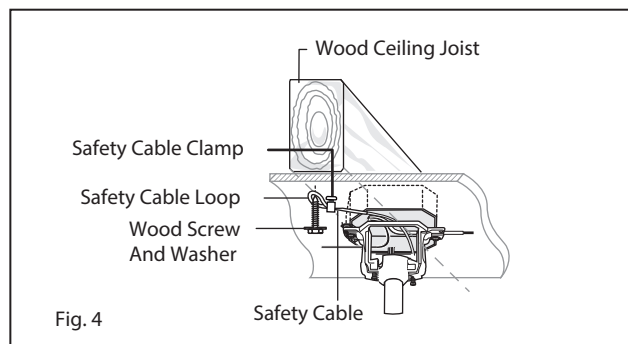
**NOTE:**

6 feet of lead wire is supplied on the fan for use with longer downrods.



**INSTALLATION OF SAFETY CABLE SUPPORT**

Attach the wood screw and the flat washer to the ceiling joist as shown (do not fully tighten). Slide the cable clamp onto the safety cable from the fan. Loop the safety cable around the wood screw that was just attached to ceiling joist. Feed the end of the cable into the clamp and pull as much cable through as possible. Firmly tighten screw in the clamp. Cut off excess cable.



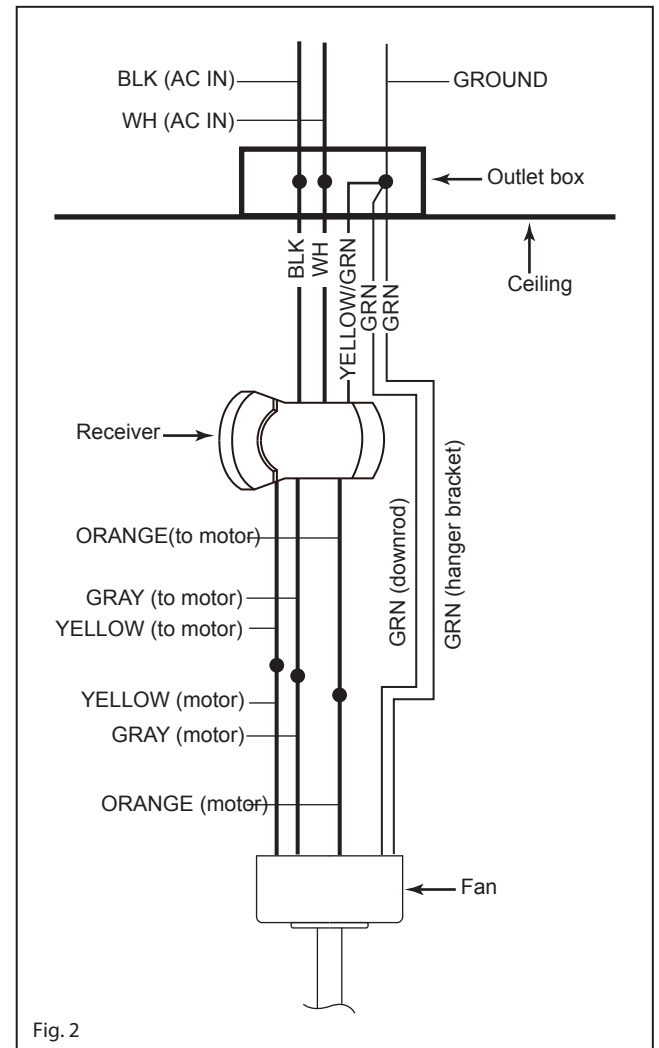
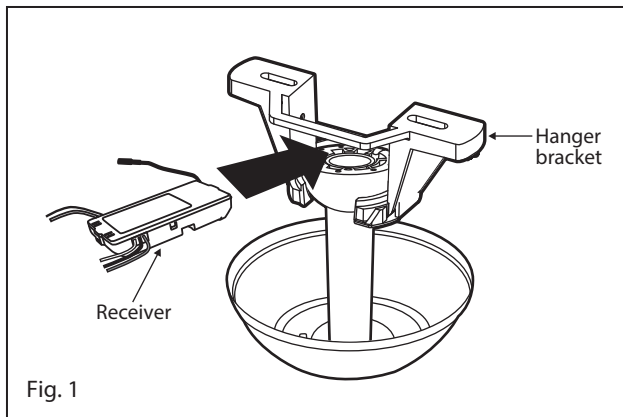
# ELECTRICAL CONNECTIONS

**NOTE:** One fan per power circuit.

REMEMBER -Turn o° the power! NOTE - Control must be installed within 30 feet of fan.

Use the wire nuts supplied with your fan when making connections. Secure the connectors with electrical tape and make sure there are no loose connections or wire strands.

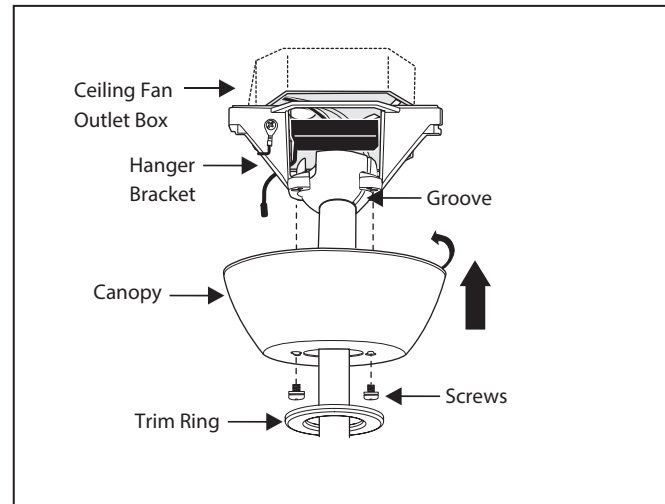
- 1 Insert the receiver into the ceiling mounting bracket with the "at side of the receiver facing the ceiling. (Fig. 1) For best performance, make sure the Black Antenna, on the end of the receiver, remains extended and not tangled with any of the electrical wires.
- 2 Make wire connections from the fan to the receiver unit. For this step use the bundle of 5 wires on the receiver.
  - Connect the YELLOW fan wire to the YELLOW receiver wire.
  - Connect the GRAY fan wire to the GRAY receiver wire.
  - Connect the RED fan neutral wire to the RED receiver neutral wire.
  - Connect the WHITE fan neutral wire to the WHITE receiver neutral wire.
  - Connect the BLUE fan neutral wire to the BLUE receiver neutral wire.
- 3 Connect the wiring from the ceiling to the receiver unit. (Use the 2 wire bundle on the receiver.) Secure with supplied wire nuts.
  - Connect the BLACK building supply wire to the BLACK receiver wire.
  - Connect the WHITE receiver neutral wire to the WHITE building neutral wire.
  - Connect the COPPER building ground wire to the YELLOW/GREEN fan ground wire. Also connect the two GREEN wires (from fan) to building ground wire.



## FINISHING THE INSTALLATION

- 1 Tuck connections neatly into ceiling outlet box.
- 2 Slide the canopy up to mounting bracket and align the key hole on the canopy to the screw on the mounting bracket, turn canopy until it locks in place at the narrow section of the key holes.
- 3 Align the circular hole on canopy with the remaining hole on the mounting bracket, secure by tightening the two set screws.
- 4 Assemble trim ring by aligning slots in trim ring with canopy screw heads. Twist to lock into place.

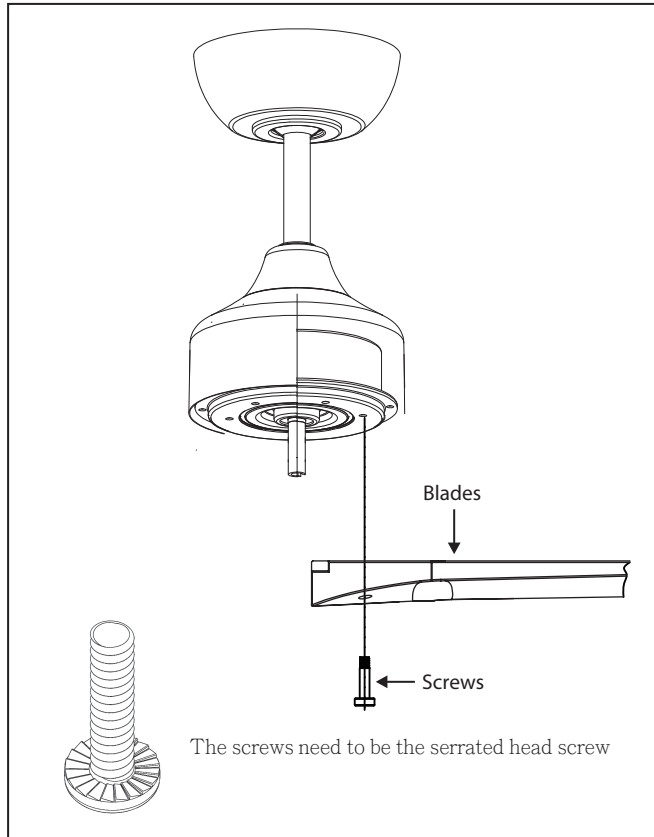
NOTE: Adjust the canopy screws as necessary until the canopy and trim ring are snug.



### WARNING:

Make sure the hook on the hanging bracket properly sits in the groove in the hanger ball before attaching the canopy to the bracket by turning the housing until it drops into place.

## BLADE ATTACHMENT



**NOTE:** Remove any rubber supports that are installed for shipping.

Fasten blade to motor with provided screws, lock washers and flat washers. Repeat procedure for remaining blades. Make sure screws are TIGHT! Loose motor screws can contribute to unnecessary hum during operation.

### NOTE:

Cordless power screwdrivers are NOT recommended, as they usually strip the heads of the screws and usually will not fully compress the lock washers on the motor screws. Use a large flat blade screwdriver for final tightening to fully compress the washers. This will help ensure proper alignment of the blades and noise-free, wobble-free running.

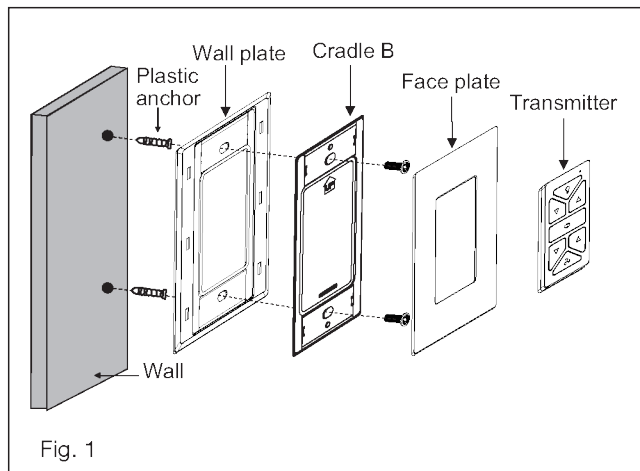
## INSTALLING THE WALL CONTROL

**REMEMBER** to turn off the power before you begin.

**NOTE** - Secures to any surface or application: flat wall, single gang box, multi gang box.

### Option 1. Flat Surface Installation

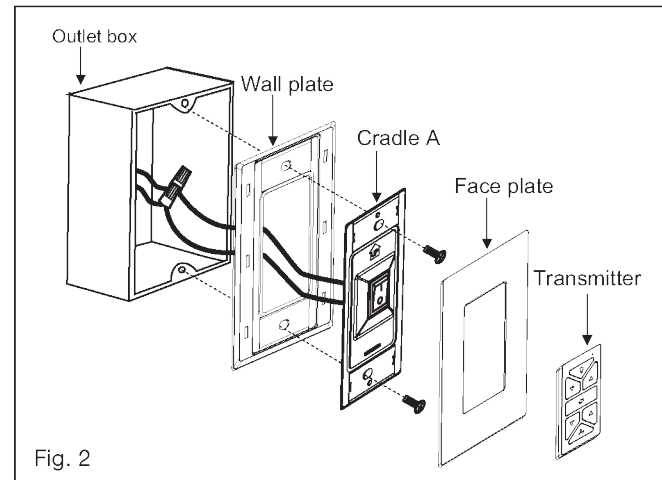
- 1 Select a desired location. Use the wall plate to mark the location of the mounting holes. Plastic wall anchors or mounting screws are needed for this application. (Fig. 1)
- 2 Seat the cradle B into the wall plate. Secure the wall plate to the wall using the provided hardware.
- 3 Snap the face plate cover onto the wall bracket.
- 4 Remote transmitter will be held in place with built in magnets.



**HIRO HIRO Control System**

### Option 2. For single gang box

- 1 Remove the existing wall plate and the old switch from the wall outlet box.
- 2 Seat the cradle A into the wall plate. (Fig. 2)
- 3 Connect the black lead wires from the switch in the cradle A to the black wires in the switch box. Hot input wire to one of the cradle A switch leads. Power lead to the fan is connected to the remaining switch lead.
- 4 Connect the wall plate / cradle A assembly to the wall outlet box using the supplied hardware.
- 5 Snap the face plate cover onto the wall bracket.
- 6 Remote transmitter will be held in place with built in magnets.



## OPERATION


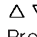

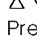

Your DC brushless motor is equipped with an automatically learned type remote control. There is no frequency switches on the receiver or transmitter. The fan can start to use once the pairing process is done.

Remove the panel from the transmitter and then install one 2032 battery (included). You need to use a coin to open or close the battery cover. To prevent damage to transmitter, remove the battery if not use for long periods of time (Fig. 1)


**⚠️ WARNING:** Chemical Burn Hazard. Keep batteries away from children.

This product contains a lithium button/coin cell battery. If a new or used lithium button/coin cell battery is swallowed or enters the body, it can cause severe internal burns and can lead to death in as little as 2 hours. Always completely secure the battery compartment. If the battery compartment does not close securely, stop using the product, remove the batteries, and keep it away from children. IF you think batteries might have been swallowed or placed inside any part of the body, seek immediate medical attention.

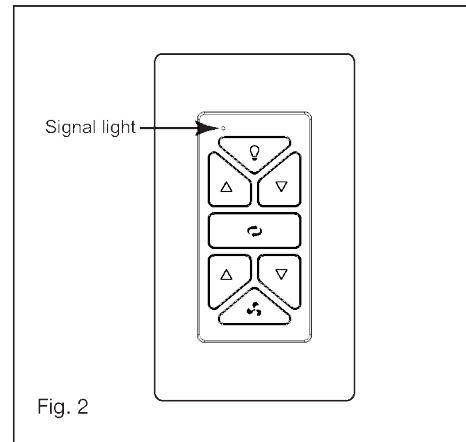
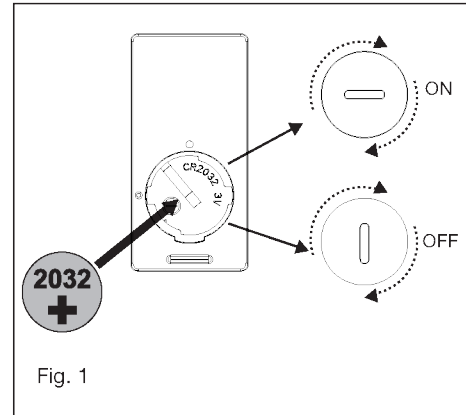
The batteries shall be disposed of properly, including keeping them away from children; Even used cells may cause injury.

- 1  button: Press this button and release instantly to turn on or off the light.
- 2  button: Press and hold to dim or brighten lights to the desired level and release.
- 3  button: Press this button to set fan wind direction up or down.
- 4  button: Press button for turn on and setting 1-6 fan speed.
- 5  button: Press this button to turn the fan off.
- 6 Signal light (Fig. 2)

### Pairing Process

With the fan's power off, restore power to the fan. Press and hold “” button for about 5 seconds and release. If optional light kit is installed, the light kit will flash three times and the motor spin up for 10 seconds on low speed. The fan has completed the pairing process with the wall control and is ready for use.

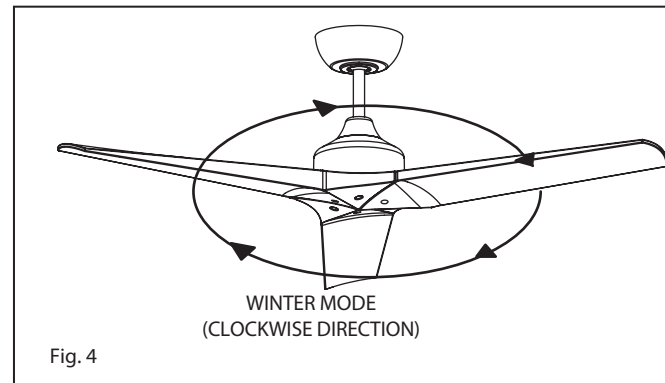
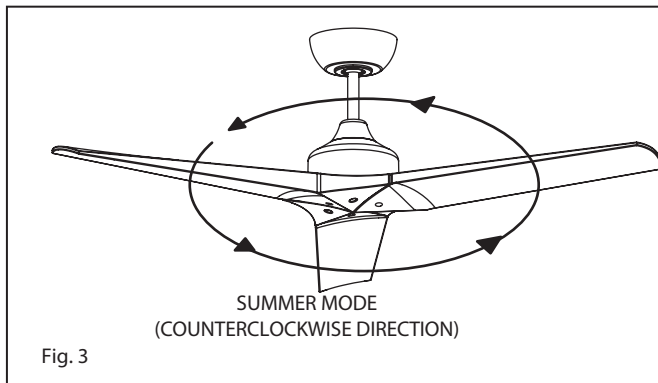
**NOTE:** A single fan can be controlled with as many as 3 wall controls in one room. Every control will need to repeat the pairing process based on instructions above and all controls must be within 30 feet of the fan.



**HIRO HIRO Control System**

## Summer Mode and Winter Mode Operation

- 8 Summer Mode (forward):  
A DOWNWARD air flow creates a cooling effect as shown in Figure 3. This allows you to set your air conditioner on a warmer setting without affecting your comfort.
- 9 Winter Mode (Reverse):  
An UPWARD air flow moves warmer air off the ceiling area as shown in Figure 4. This allows you to set your heating unit on a cooler setting without affecting your comfort.



## CARE AND CLEANING

Periodically it may be necessary to re-tighten blade to blade arm screws or blade arm to motor screws to prevent clicking or humming sound during operation. This is especially true in climates with broad temperature and humidity ranges.

When dusting the blades, you must support the blade to prevent bending - no pressure should be applied to the blades. If you experience any "aws in the operation of your fan, please check the following points.

## TROUBLESHOOTING

### CAUTION:

Switch o<sup>o</sup> p ower supply before carrying out any of these checks.

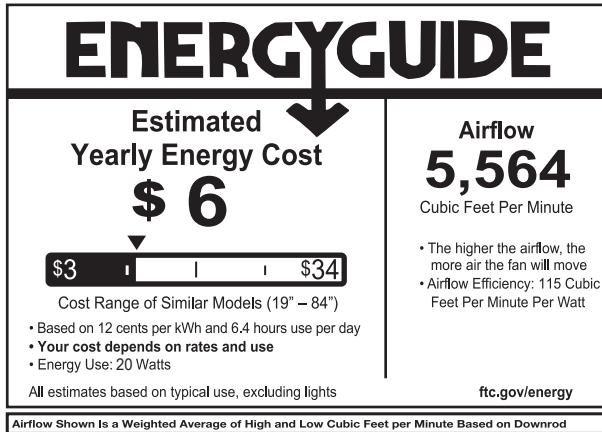
PROBLEM	SOLUTION
FAN WILL NOT START	<ol style="list-style-type: none"><li>1. Check circuit fuses or breakers.</li><li>2. Check wall control LED indicator light. If LED is not illuminated when pushing a button, it is not transmitting a signal. Please check power to wall control/circuit breaker and all electrical connections.</li><li>3. Assure there are no more than 2 fans operating on a circuit through the wall control. Assure that there are no more than 12 fans operating on a circuit through an on/o<sup>o</sup> wall switch or a breaker (not through a wall control).</li><li>4. Assure that the fan is within range of the WiFi (150 ft.) or wall control (30 ft.).</li><li>5. Check to assure only one fan is installed in the power circuit.</li></ol>
FAN SOUNDS NOISY	<ol style="list-style-type: none"><li>1. Allow a 24-hour "breaking-in" period. Most noise associated with a new fan will disappear during this time.</li><li>2. Make sure all motor housing screws are securely fastened.</li><li>3. Make sure the screws that attach the fan blade to the fan are tight.</li><li>4. Make sure your ceiling box is secure and rubber isolator pads are used between the mounting bracket and outlet box.</li></ol>
FAN WOBBLER	<ol style="list-style-type: none"><li>1. Check that all blade and blade arm screws are secure.</li><li>2. If the blade wobble is still noticeable, interchanging two adjacent (side by side) blades can redistribute the weight and possibly result in smoother operation.</li><li>3. Check to assure all dowrods to motor hardware and/or hanger ball are tight.</li><li>4. Make sure ceiling box is secure.</li></ol>



## ENERGY GUIDE

## SPECIFICATIONS

### AVERAGE PERFORMANCE AND ENERGY INFORMATION



PERFORMANCE SPECIFICATIONS	STANDARD	
	HIGH SPEED	LOW SPEED
Airflow (CFM)	8035	2763
Energy Use (Watts)	33.6	2.3
Airflow Efficiency (CFM/W)	239	1201
Energy Costs (Yearly)	9	1
Amps	0.48	0.08
RPMs	177	50

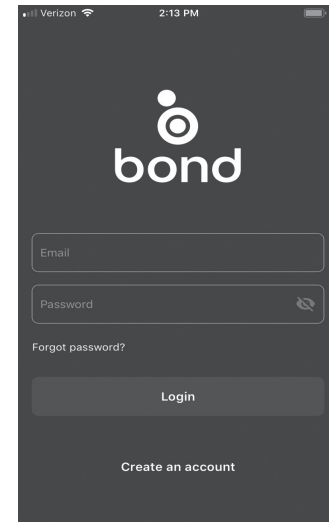
## SMART BY BOND

### HINKLEY SMART FAN OPTIONS (SOLD SEPARATELY):

In addition to the included wall control, you can control your Hinkley fan through the Bond app using the smart technology accessory controls SOLD SEPARATELY.

- To use the app, download it for free from the App Store or Google Play.
- Open the app to create your account. You can also login with your Facebook or Google account.
- Next, set up a WiFi connection. You will need the SSID and WiFi password for the network you want to connect to.
- You will receive a prompt to choose the finish of your fan and name your fan device.
- The app will walk you through the main screen and show you how to change fan speeds, dim the light, set timers or utilize breeze mode.

NOTE: Maximum of 2 fans can operate on a circuit through the wall control. Maximum of 12 fans can operate on a circuit through an on/off switch or breaker when utilizing the app for the fan control (without the wall control in the circuit).



<https://bondhome.io/app>

HINKLEY IS PROUD TO PROVIDE YOU WITH CEILING FAN PRODUCTS THAT ENHANCE YOUR SPACE WITH COMFORT, PURPOSE AND STYLE. AS A FAMILY COMPANY, WE ARE COMMITTED TO DESIGN, PERFORMANCE AND QUALITY, AND WHAT'S IMPORTANT TO YOU IS PARAMOUNT TO US.

FOR A COMPLETE ASSORTMENT OF OUR PRODUCTS AND SOURCE BOOKS, VISIT [HINKLEY.COM](http://HINKLEY.COM).

# HINKLEY

GLOBAL HEADQUARTERS

33000 Pin Oak Parkway | Avon Lake, Ohio 44012

T (440) 653 5500 | F (440) 653 5555 | [hinkley.com](http://hinkley.com)

HINKLEY

VENTILADOR INTERIOR / EXTERIOR

60" CHISEL™



---

MANUAL DE INSTRUCCIONES  
PARA VENTILADORES DE  
TECHO

## QUEREMOS QUE AMES A TU NUEVO VENTILADOR

ASÍ QUE ESTAMOS AQUÍ SI TIENE UNA PREGUNTA,  
NECESITA AYUDA O QUIERE HABLAR SOBRE NUESTROS  
PRODUCTOS. ENVÍE SUGERENCIAS NUESTRO CAMINO  
TAMBIÉN: SIEMPRE ESTAMOS BUSCANDO HACER QUE  
SU EXPERIENCIA CON HINKLEY SEA POSITIVA.

> **SERVICE@HINKLEY.COM**

> **800.HINKLEY**

> **VAMOS A ESE ESTILO**

**HINKLEY@HINKLEY #HINKLEYSTYLE**

---

Este manual contiene instrucciones completas para la  
instalación y operación de este ventilador. Ha sido  
diseñado para hacer que el proceso de instalación sea  
lo más fácil posible. Si no está familiarizado o no se  
siente cómodo con el cableado, comuníquese con un  
electricista calificado. Si necesita asistencia adicional o  
tiene alguna pregunta, comuníquese con nosotros.

---

**Para obtener información sobre la garantía, visite [hinkley.com](http://hinkley.com).**

# TABLE DES MATIÈRES

02	INSTRUCTIONS GÉNÉRALES D'INSTALLATION ET D'UTILISATION	11	INSTALLATION DE LA COMMANDEMURALE
03	PRÉCAUTIONS DE SÉCURITÉ IMPORTANTES	12	OPÉRATION
03	OUTILS ET MATÉRIAUX REQUIS	14	ENTRETIEN ET NETTOYAGE
04	DÉBALLAGE DE VOTRE FAN	14	DÉPANNAGE
05	PRÉPARATION	15	GUIDE DE L'ÉNERGIE
05	INSTALLATION DU SUPPORT DE SUSPENSION	15	CARACTÉRISTIQUES
06	SUSPENDRE LE VENTILATEUR	15	SMART BY BOND
08	CONNECTIONS ELECTRIQUES		
09	FIN DE L'INSTALLATION		
10	ATTACHEMENT DE LA LAME		

REMARQUE: Limite d'un ventilateur par circuit d'alimentation

## ATTENTION:

AVERTISSEMENT: lisez et suivez attentivement ces instructions et tenez compte de tous les avertissements indiqués.

## INSTRUCCIONES GENERALES DE INSTALACIÓN Y OPERACIÓN

- 1 Para garantizar el éxito de la instalación, asegúrese de leer las instrucciones y revisar los diagramas a fondo antes de comenzar.
- 2 Para evitar posibles descargas eléctricas, asegúrese de que la electricidad esté apagada en la caja de alimentación principal antes de realizar el cableado. Todas las conexiones eléctricas deben realizarse de acuerdo con los códigos, ordenanzas locales y / o el Código Eléctrico Nacional. Si no está familiarizado con los métodos de instalación de cableado y productos eléctricos, asegure los servicios de un electricista calificado y con licencia, así como de alguien que pueda verificar la resistencia de los miembros del techo de apoyo y realizar las instalaciones y conexiones adecuadas.
- 3 **ADVERTENCIA:** Para reducir el riesgo de incendio, descarga eléctrica u otras lesiones personales, monte el ventilador solo en una caja de salida o en un sistema de soporte marcado como aceptable para un soporte de ventilador de 35 lb (15.9 kg) o menos y use los tornillos de montaje provistos con la caja de salida. La mayoría de las cajas de salida comúnmente utilizadas para el soporte de accesorios de iluminación no son aceptables para el soporte del ventilador y pueden necesitar ser reemplazadas. Consulte a un electricista calificado si tiene dudas.
- 4 Asegúrese de que su sitio de instalación no permita que las aspas del ventilador giratorio entren en contacto con ningún objeto. Las cuchillas deben estar a un mínimo de 7 pies del piso.
- 5 Las cuchillas deben colocarse después de que la carcasa del motor esté colgada y colocada. La carcasa del motor del ventilador debe mantenerse en la caja hasta que esté lista para ser instalada para proteger su acabado. Si está instalando más de un ventilador de techo, asegúrese de no mezclar los conjuntos de aspas del ventilador, ya que cada aspa forma parte de un conjunto ponderado.
- 6 Después de hacer las conexiones eléctricas, los conductores empalmados deben girarse hacia arriba y empujarse con cuidado hacia la caja de salida. Los cables deben separarse con el conductor común y el conductor de tierra en un lado de la caja de salida, y el Cables "CALIENTES" en el otro lado.
- 7 Los diagramas eléctricos son solo de referencia. Los kits de luces que no están empacados con el ventilador deben estar en la lista UL y deben instalarse según las instrucciones de instalación del kit de luces.
- 8 Una vez que el ventilador esté completamente instalado, verifique que todas las conexiones estén seguras para evitar que el ventilador se caiga y / o cause daños o lesiones.
- 9 Se puede hacer que el ventilador funcione inmediatamente después de la instalación: los cojinetes están adecuadamente cargados de grasa para que, en condiciones normales, no sea necesaria una mayor lubricación durante la vida útil del ventilador.
- 10 Para operar la función de retroceso en este ventilador, presione el botón de retroceso mientras el ventilador está funcionando.

NOTA: Límite de un ventilador por circuito de alimentación.

## PRECAUCIONES IMPORTANTES DE SEGURIDAD

### ADVERTENCIAS:

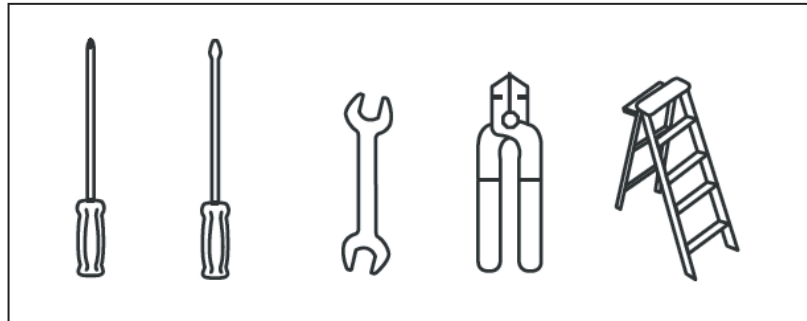
- Desconecte la energía quitando el fusible o apagando el interruptor de circuito antes de instalar el ventilador y / o la iluminación opcional.
- Apoyo directo desde la estructura del edificio.
- Para reducir el riesgo de incendio, descarga eléctrica o lesiones personales, monte en la caja de salida marcada como "aceptable para soporte del ventilador" y use los tornillos de montaje provistos con la caja de salida. La mayoría de las cajas de salida comúnmente utilizadas para el soporte de accesorios de iluminación no son aceptables para el soporte del ventilador y pueden necesitar ser reemplazadas. Consulte a un electricista calificado si tiene dudas.
- No utilice un atenuador de luz incandescente. No utilice este ventilador con ningún dispositivo de control de velocidad del ventilador de tipo transformador. To reduce the risk of personal injury, do not bend the blade arms when installing them, balancing the blades or cleaning the fan.
- No inserte ningún objeto (s) entre las aspas giratorias del ventilador.

### NOTA:

Las precauciones, salvaguardas e instrucciones importantes que aparecen en este manual no están destinadas a cubrir todas las condiciones y situaciones posibles que puedan ocurrir. Debe entenderse que el sentido común, la precaución y el cuidado son factores que no se pueden incorporar a este producto. Estos factores deben ser proporcionados por la (s) persona (s) que instalan, cuidan y operan la unidad.

## HERRAMIENTAS Y MATERIALES REQUERIDOS

- DESTORNILLADOR PHILLIPS
- DESTORNILLADOR PLANO
- LLAVE O ALICATES
- CORTADOR DE CABLES
- ESCALERA DE TIJERA
- SUMINISTROS DE CABLEADO SEGÚN REQUERIDO POR CÓDIGO ELÉCTRICO





## DESEMBALAJE SU VENTILADOR

### DESEMBALA TU VENTILADOR Y CONSULTA EL CONTENIDO

• No deseche la caja. Si alguna vez es necesario reemplazar o reparar la garantía, el ventilador debe devolverse en su embalaje original. Retire todas las piezas y hardware. No coloque la carcasa del motor de lado, ya que la carcasa decorativa podría moverse, doblarse o dañarse.

• Examine todas las partes. Deberías tener lo siguiente:

CONTENIDO DEL PAQUETE		
1	Juego de 3 cuchillas	BL903760FMB (Nuez) BL903760FMW (Madera desgastada) BL903760FGT (madera flotante)
2	Soporte colgante	CA903744FMB
3	Dosel de techo y anillo de moldura	CA903744FMW CA903744FGT
4	Cubierta del yugo	YC903744FMW YC903744FGT
5	Montaje de varilla	DR94016FMB DR94016FMW DR94016FGT
6	Carcasa del ventilador con motor * Retire los soportes de goma para transporte alrededor del motor, si corresponde. Guarde los tornillos.	
7	Receptor / Controladora	CN903760
8	Control de pared con: placa frontal, 2 juegos de tornillos de montaje y tornillos para metales 5 tuercas de alambre Control de pared con batería de 12v	980013FAS
9	Bolsa de hardware	
	Tornillos de hoja a motor y Arandelas de seguridad y arandelas planas. Hardware del cable de seguridad (tornillo para madera, arandela plana) Hardware de montaje del soporte (tornillos para madera, tornillos, arandelas de seguridad, arandelas de estrella, arandelas planas) Kit de equilibrio	MH903744FMB MH903744FMW MH903744FGT

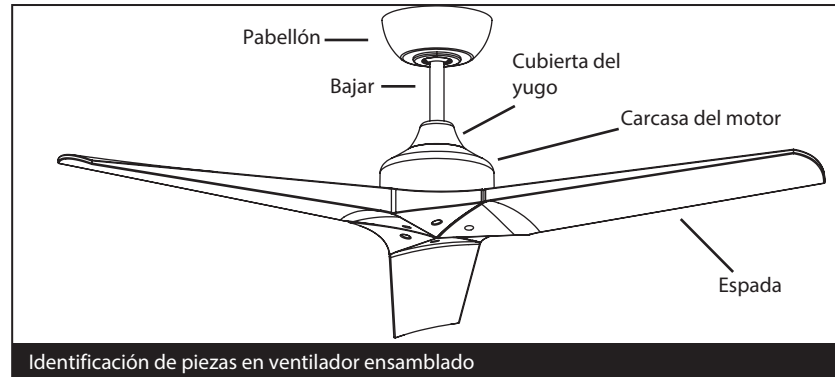
NOTE: Design of parts shown above may look slightly different for your specific model of fan.

## PREPARACIÓN

### PREPARACIÓN:

Verifique que tenga todas las piezas antes de comenzar la instalación. Compruebe de cerca el inserto de espuma para ver si faltan piezas. Saque el motor del embalaje. Para evitar daños en el acabado, monte el motor sobre una superficie suave acolchada o utilice el inserto de espuma original en la caja del motor.

**NO COLOQUE LA CARCASA DEL MOTOR SOBRE SU LADO YA QUE ESTO PODRÍA RESULTAR EN MOTOR EN CUBIERTA DECORATIVA.**



Identificación de piezas en ventilador ensamblado

## INSTALACIÓN DEL SOPORTE COLGANTE

**PRECAUCIÓN:** Para evitar posibles descargas eléctricas, asegúrese de que la electricidad esté apagada en la caja de energía principal antes de realizar el cableado. Todo el cableado debe estar de acuerdo con los códigos eléctricos nacionales y locales y el ventilador de techo debe estar conectado a tierra como medida de precaución contra posibles descargas eléctricas.

- 1 Ubique la viga del techo donde se instalará el ventilador, asegurándose de que la ubicación coincida con los requisitos de la sección de espacio libre mínimo de esta guía. Las vigas de madera deben ser sólidas y de tamaño adecuado para soportar 35 libras (vea la página 2, elementos 3 y 4).
- 2 Si aún no está presente, monte una caja de salida listada por UL marcada como "adecuada para soporte de ventilador" siguiendo las instrucciones proporcionadas con la caja de salida. La caja de salida debe poder soportar un mínimo de 35 libras.
- 3 Retire la capota del soporte de suspensión. Quite el anillo de ajuste de bloqueo giratorio girándolo en sentido antihorario. Quite el tornillo de la cubierta que no tiene una ranura para llave en la cubierta. Afloje el tornillo con la ranura de la llave y retire la cubierta.
- 4 Fije el soporte para colgar a la caja de salida con los tornillos que se proporcionan con la caja de salida.

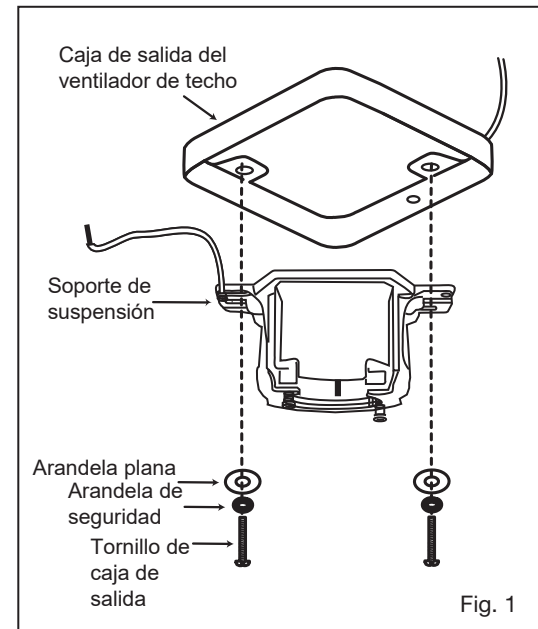
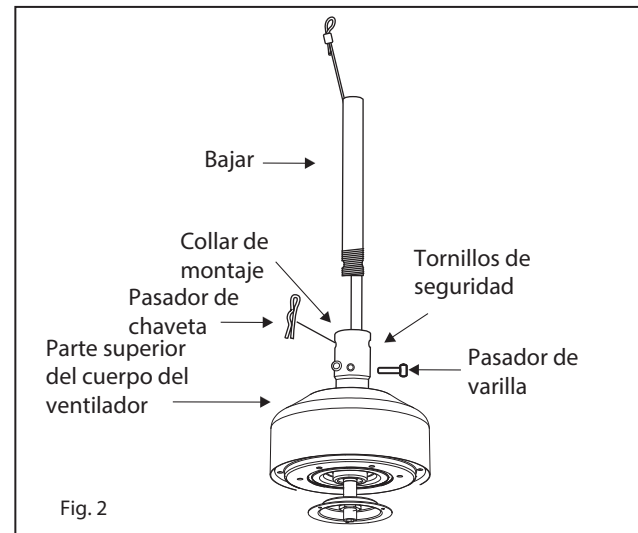
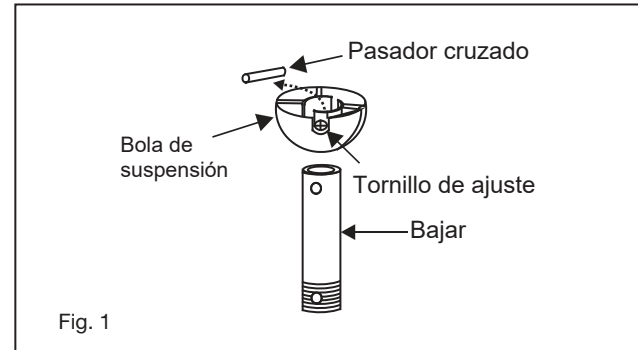


Fig. 1

## COLGANDO EL VENTILADOR

- 1 Retire la bola de la varilla aflojando el tornillo de fijación en el costado de la bola. Deslice la bola hacia abajo y retire el pasador de bola; quitar la bola. (Figura 1)
- 2 Sujete con cuidado el cuerpo del ventilador (motor) en su empaque de espuma de poliestireno con el collar de montaje (por donde salen los cables) hacia arriba.
- 3 Afloje los dos tornillos de seguridad y retire el pasador de la varilla y el clip de retención del acoplamiento en la parte superior del conjunto del motor. (Figura 2)
- 4 Pase con cuidado los cables eléctricos y el cable de seguridad del ventilador a través de la varilla. Enrosque la varilla en el acoplador hasta que los orificios se alineen. Inserte el pasador de la varilla a través de los orificios del collar de montaje y la varilla; Enganche el pasador de chaveta a través del pequeño orificio en el extremo del pasador de la varilla para mantener la varilla en su lugar.
- 5 Apriete los tornillos de seguridad contra la varilla con un destornillador grande de punta plana para asegurar un ajuste firme contra la varilla. Apriete las tuercas contra el collar de montaje.



RECUERDE apagar la energía antes de comenzar.

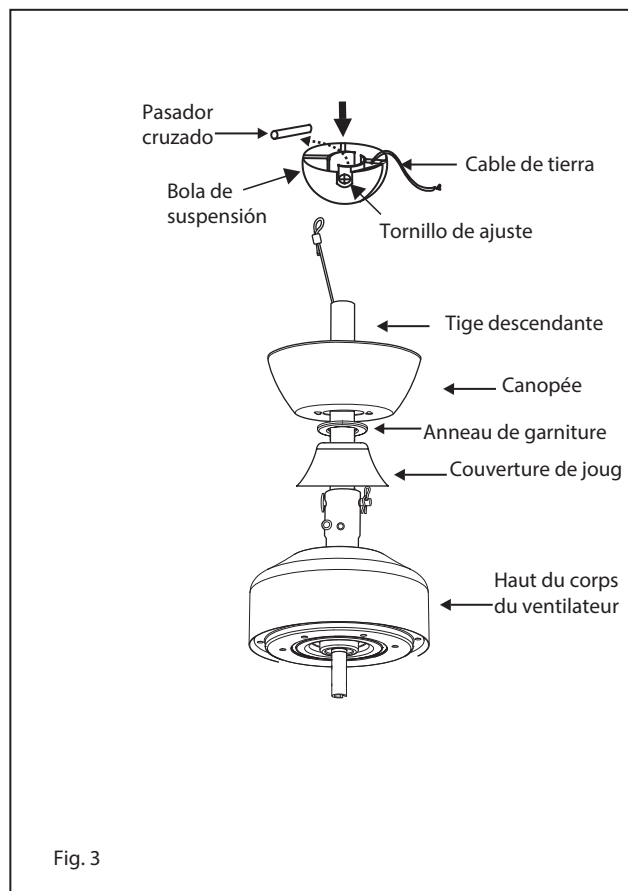
Para instalar correctamente su ventilador de techo, siga los pasos a continuación.

- 6 Deslice la cubierta del yugo, el anillo de ajuste y la capota sobre la varilla. (Fig. 3)
- 7 Deslice la bola de suspensión en la varilla, inserte el pasador transversal a través de la varilla y apriete. Apriete el tornillo de fijación.
- 8 Pase los cables a través de los orificios de la tapa de goma de la bola de goma y deslícelos hacia abajo sobre la parte superior de la bola. (Fig. 3)
- 9 Levante la bola / varilla / ventilador en la abertura del soporte de suspensión.

NOTA: La pestaña opuesta a la abertura del soporte de suspensión debe encajar en la ranura de la bola. (Figura 4)

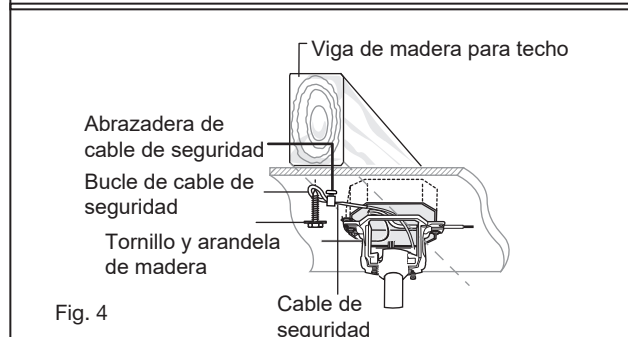
**NOTA:**

Se suministran 6 pies de cable conductor en el ventilador para usar con varillas más largas.



**INSTALACIÓN DE SOPORTE DE CABLE DE SEGURIDAD**

Coloque el tornillo para madera y la arandela plana en la viga de madera del techo como se muestra (no apriete completamente). Deslice la abrazadera del cable en el cable de seguridad del ventilador. Enrolle el cable de seguridad alrededor del tornillo para madera que acaba de conectar a la viga del techo. Introduzca el extremo del cable en la abrazadera y pase la mayor cantidad de cable posible. Apriete firmemente el tornillo de la abrazadera. Corte el cable sobrante.



# CONEXIONES ELÉCTRICAS

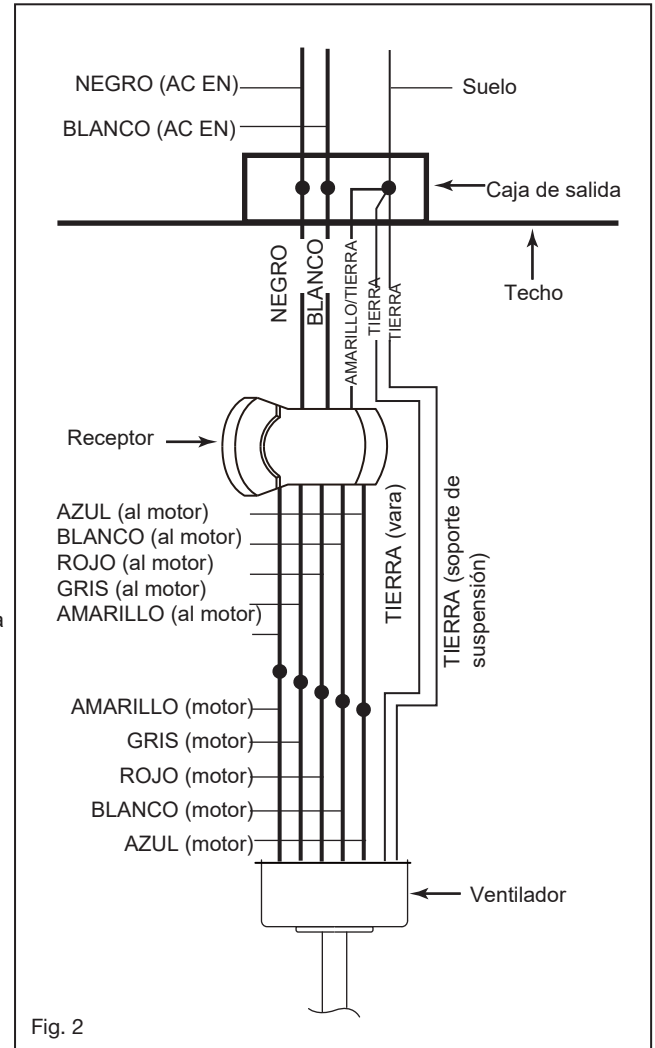
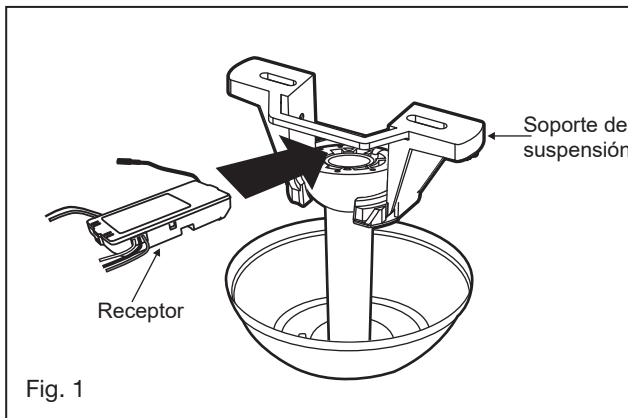
NOTA: Un ventilador por circuito de potencia

RECUERDA -¡Apaga la energía! NOTA - El control debe instalarse a menos de 30 pies del ventilador.

Utilice las tuercas para cables suministradas con su ventilador al realizar las conexiones. Asegure los conectores con cinta aislante y asegúrese de que no haya conexiones sueltas o hilos de alambre.

Inserte el receptor en la parte superior de la carcasa del ventilador. (Fig.

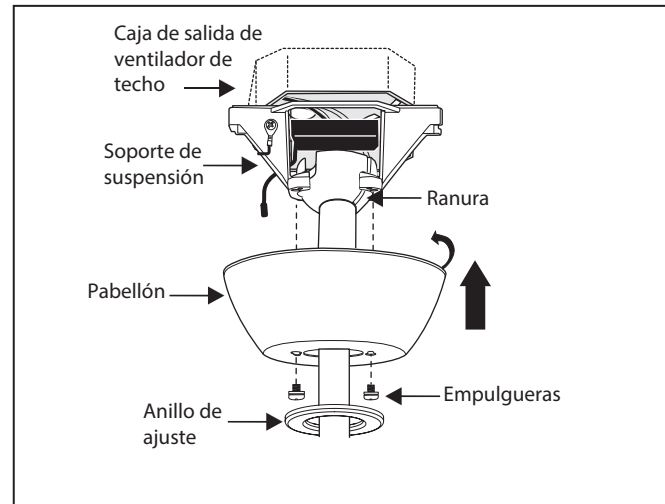
- 1) Para un mejor rendimiento, asegúrese de que la Antena Negra, en el extremo del receptor, permanezca extendida y sin enredarse con ninguno de los cables eléctricos.
- 2) Haga conexiones de cables desde el ventilador a la unidad receptora. Para esta utilice el paquete de 5 cables en el receptor.
  - Conecte el cable de ventilador AMARILLO al cable del receptor AMARILLO.
  - Conecte el cable del ventilador GRIS al cable del receptor GRIS.
  - Conecte el cable neutral del ventilador ROJO al cable neutral del receptor ROJO
  - Conecte el cable neutro del ventilador BLANCO al cable neutro del receptor BLANCO.
  - Conecte el cable neutral del ventilador AZUL al cable neutro del receptor AZUL.
- 3) Conecte el cableado desde el techo a la unidad receptora. (Use el paquete de 2 cables en el receptor). Asegure con el cable suministrado
  - Conecte el cable de suministro de construcción NEGRO al cable del receptor NEGRO.
  - Conecte el cable neutro del receptor BLANCO al cable neutro del edificio BLANCO
  - Conecte el cable de tierra del edificio de COBRE al cable de tierra del ventilador AMARILLO / VERDE.
  - También conecte los dos cables VERDES (del ventilador) al cable de tierra del edificio.



## FIN DE INSTALACION

- 1 Meta las conexiones cuidadosamente en la caja de salida del techo.
- 2 Deslice la capota hasta el soporte de montaje y alinee el orificio de la cerradura con el tornillo del soporte de montaje, gire la capota hasta que encaje en su lugar en la sección estrecha de los orificios de la cerradura.
- 3 Alinee el orificio circular del dosel con el resto agujero en el soporte de montaje, asegúrelo apretando el dos tornillos de fijación.
- 4 Ensamble el anillo de moldura alineando las ranuras en el anillo de moldura con las cabezas de los tornillos de la cubierta. Gírelo para bloquearlo en su lugar.

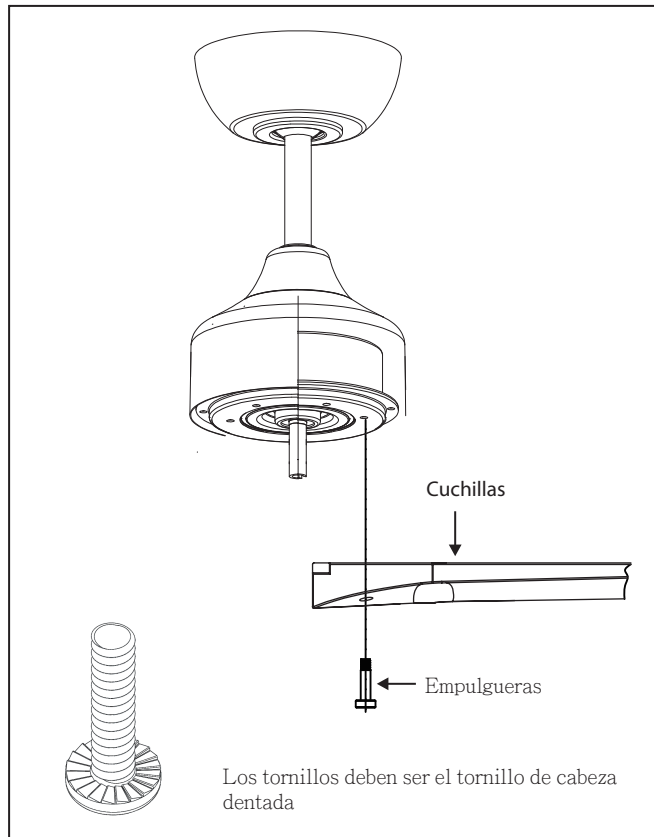
NOTA: Ajuste los tornillos de la capota según sea necesario hasta que la capota y el anillo de moldura estén ajustados.



### ADVERTENCIA:

Asegúrese de que el gancho del soporte para colgar se asiente correctamente en la ranura de la bola de suspensión antes de sujetar el dosel al soporte girando la carcasa hasta que encaje en su lugar.

## ACCESORIO DE HOJA



NOTA: Retire los soportes de goma que estén instalados para el envío.

Sujete la cuchilla al motor con los tornillos, las arandelas de seguridad y las arandelas planas provistas. Repita el procedimiento para las hojas restantes. ¡Asegúrese de que los tornillos estén APRETADOS! Los tornillos del motor flojos pueden contribuir a un zumbido innecesario durante el funcionamiento.

NOTA: NO se recomiendan destornilladores eléctricos inalámbricos, ya que por lo general pelan las cabezas de los tornillos y, por lo general, no comprimen completamente las arandelas de seguridad de los tornillos del motor. Utilice un destornillador grande de punta plana para el apriete final para comprimir completamente las arandelas. Esto ayudará a garantizar la alineación adecuada de las palas y un funcionamiento sin ruidos ni oscilaciones.

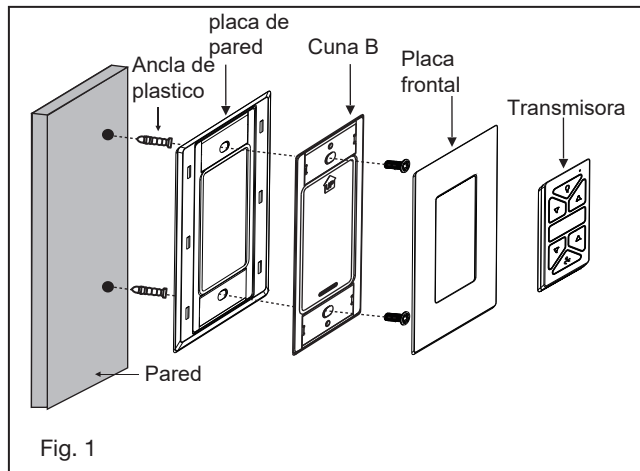
## INSTALACIÓN DEL CONTROL DE PARED

RECUERDE apagar la energía antes de comenzar.

NOTA - Se fija a cualquier superficie o aplicación: pared plana, caja de salida simple, caja de entrada múltiple.

### Opción 1. Instalación en superficie plana

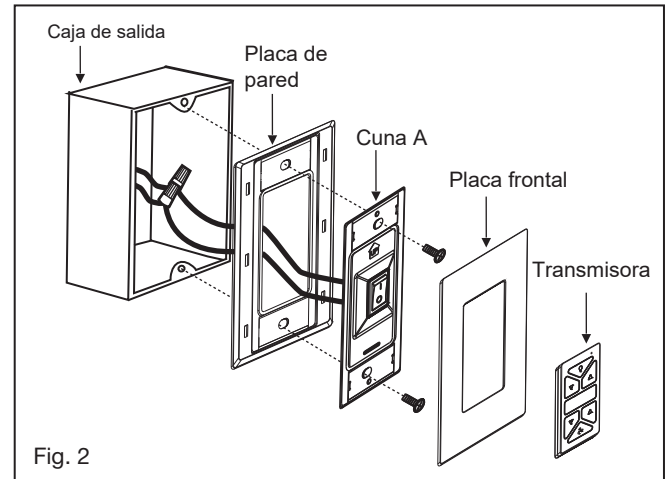
- 1 Seleccione una ubicación deseada. Utilice la placa de pared para marcar la ubicación de los orificios de montaje. Para esta aplicación se necesitan anclajes de pared de plástico o tornillos de montaje. (Figura 1)
- 2 Asiente la base B en la placa de pared. Asegure la placa de pared a la pared con los accesorios provistos.
- 3 Encaje la cubierta de la placa frontal en el soporte de pared.
- 4 El transmisor remoto se mantendrá en su lugar con m incorporado



**HIRO** Sistema de control HIRO

### Opción 2. Para caja de salida única

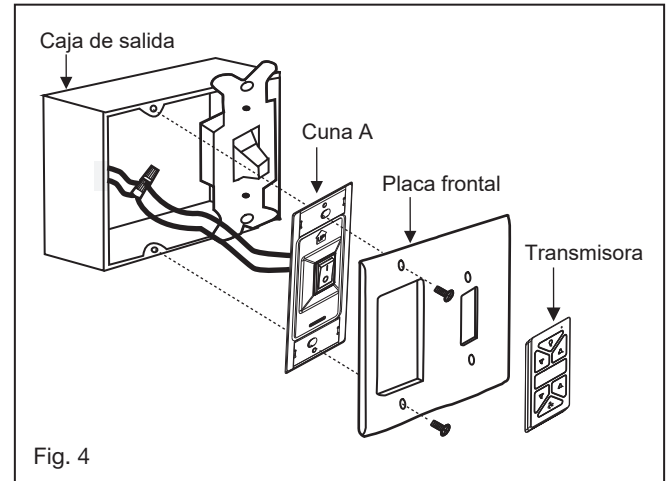
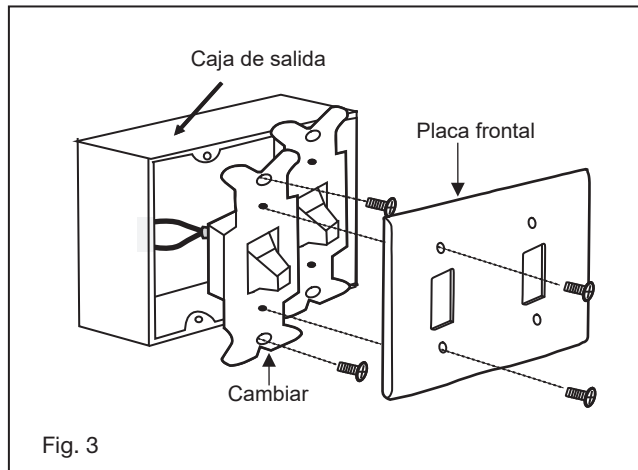
- 1 Retire la placa de pared existente y el interruptor antiguo de la caja de salida de la pared.
- 2 Asiente la base A en la placa de pared. (Figura 2)
- 3 Conecte los cables conductores negros del interruptor en la base A a los cables negros en la caja del interruptor. Cable de entrada caliente a uno de los cables del interruptor de la base A. El cable de alimentación del ventilador está conectado al cable del interruptor restante.
- 4 Conecte el ensamblaje de la placa de pared / base A a la caja de salida de pared utilizando los accesorios suministrados.
- 5 Encaje la cubierta de la placa frontal en el soporte de pared.
- 6 El transmisor remoto se mantendrá en su lugar con imanes incorporados.





### Opción 3. Instalación de la caja de interruptores de pared de múltiples unidades

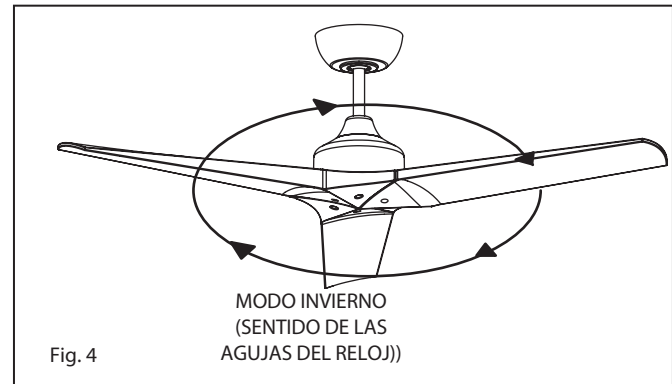
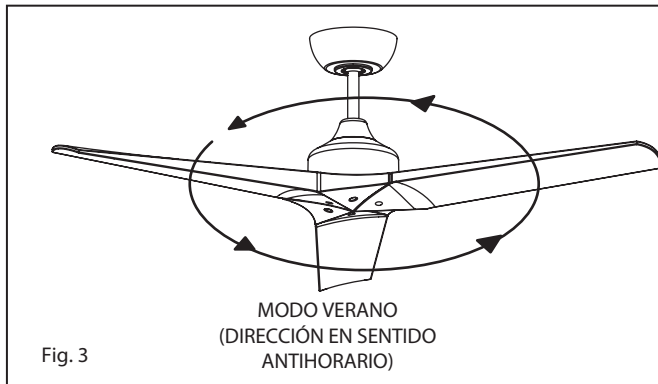
- 1 Retire la placa de pared existente y el interruptor antiguo de la caja de salida de pared. (Fig. 3)
- 2 Conecte los cables conductores negros del interruptor en la base A a los cables negros en la caja del interruptor. Cable de entrada caliente a uno de los cables del interruptor de la base. El cable de alimentación del ventilador está conectado al cable del interruptor restante. (Figura 4)
- 3 Fije la base A a la caja de interruptores de pared utilizando los accesorios suministrados.
- 4 Conecte la placa frontal de varios grupos al interruptor en la caja de salida de la pared. La base A del interruptor Hinkley encajará en cualquier placa frontal decorativa estándar.
- 5 El transmisor remoto se mantendrá en su lugar con imanes incorporados.



**HIRO** Sistema de control HIRO

### Funcionamiento en modo verano y modo invierno

- 8 **Modo de verano (hacia adelante):**  
Un flujo de aire HACIA ABAJO crea un efecto de enfriamiento como se muestra en la Figura 3. Esto le permite configurar su aire acondicionado en una configuración más cálida sin afectando su comodidad.
- 9 **Modo de invierno (inverso):**  
Un flujo de aire HACIA ARRIBA mueve el aire más caliente del área del techo como se muestra en la Figura 4. Esto le permite configurar su unidad de calefacción en una configuración más fría sin afectar su comodidad.



## CUIDADO Y LIMPIEZA

Periódicamente, puede ser necesario volver a apretar los tornillos de la hoja al brazo de la hoja o del brazo de la hoja a los tornillos del motor para evitar un chasquido o un zumbido durante el funcionamiento. Esto es especialmente cierto en climas con amplios rangos de temperatura y humedad.

Al desempolvar las cuchillas, debe apoyar la cuchilla para evitar que se doble; no se debe aplicar presión a las cuchillas. Si experimenta algún defecto en el funcionamiento de su ventilador, compruebe los siguientes puntos.

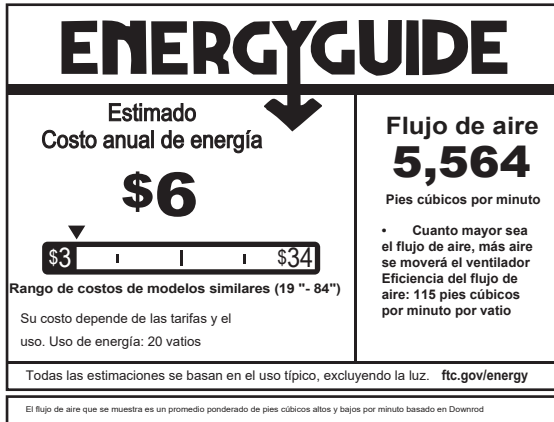
## SOLUCIÓN DE PROBLEMAS

**PRECAUCIÓN:** Apague la fuente de alimentación antes de realizar cualquiera de estas comprobaciones

PROBLEMA	SOLUCIÓN
EL VENTILADOR NO ARRANCA	<ol style="list-style-type: none"><li>1. Verifique los fusibles o disyuntores del circuito.</li><li>2. Verifique la luz indicadora LED del control de pared. Si el LED no se ilumina al presionar un botón, no está transmitiendo una señal. Verifique la alimentación al control de pared / disyuntor y todas las conexiones eléctricas.</li><li>3. Asegúrese de que no haya más de 2 ventiladores funcionando en un circuito a través del control de pared. Asegúrese de que no haya más de 12 ventiladores operando en un circuito a través de un interruptor de pared de encendido / apagado o un disyuntor (no a través de un control de pared).</li><li>4. Asegúrese de que el ventilador esté dentro del alcance del WiFi (150 pies) o del control de pared (30 pies).</li><li>5. Verifique para asegurarse de que solo haya un ventilador instalado en el circuito de energía.</li></ol>
FAN SUENA RUIDOSO	<ol style="list-style-type: none"><li>1. Permita un período de "asentamiento" de 24 horas. La mayor parte del ruido asociado con un ventilador nuevo desaparecerá durante este tiempo.</li><li>2. Asegúrese de que todos los tornillos de la carcasa del motor estén bien apretados.</li><li>3. Asegúrese de que los tornillos que sujetan la paleta del ventilador al ventilador estén apretados.</li><li>4. Asegúrese de que su caja de techo esté segura y de que se utilicen almohadillas aislantes de goma entre el soporte de montaje y la caja de salida.</li></ol>
VENTILADOR GOLPEA	<ol style="list-style-type: none"><li>1. Verifique que todos los tornillos de la hoja y del brazo de la hoja estén firmes.</li><li>2. Si aún se nota la oscilación de la hoja, intercambiar dos hojas adyacentes (una al lado de la otra) puede redistribuir el peso y posiblemente dar como resultado un funcionamiento más suave.</li><li>3. Verifique para asegurarse de que todas las varillas de los accesorios del motor y / o la bola de suspensión estén apretadas.</li><li>4. Asegúrese de que la caja de techo esté segura.</li></ol>

## GUÍA DE ENERGÍA

### INFORMACIÓN MEDIA DE DESEMPEÑO Y ENERGÍA



## ESPECIFICACIONES

ESPECIFICACIONES DE RENDIMIENTO	ESTÁNDAR	
	ALTA VELOCIDAD	BAJA VELOCIDAD
Flujo de aire (CFM)	8035	2763
Energía usada (vatios)	33.6	2.3
Eficiencia de flujo de aire (CFM/W)	239	1201
Costos de energía (anual)	9	1
Amplificadores	0.48	0.08
RPMs	177	50

## INTELIGENTE POR BOND

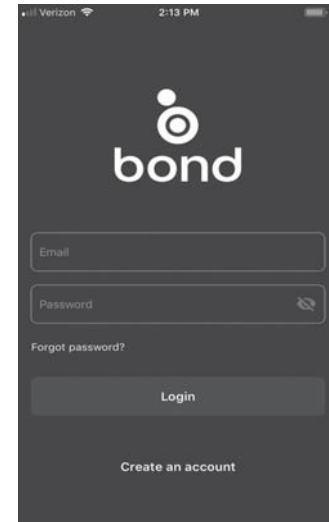
### OPCIONES DE VENTILADOR INTELIGENTE HINKLEY

#### SE VENDE POR SEPARADO:

Además del control de pared incluido, puede controlar su ventilador Hinkley a través de la aplicación Bond.

- Para usar la aplicación, descárguela de forma gratuita desde App Store o Google Play.
- Abra la aplicación para crear su cuenta. También puede iniciar sesión con su cuenta de Facebook o Google.
- Luego, configure una conexión WiFi. Necesitará el SSID y la contraseña de WiFi para la red a la que desea conectarse.
- Recibirá un mensaje para elegir el acabado de su ventilador y nombrar su dispositivo de ventilador.
- La aplicación lo guiará a través de la pantalla principal y le mostrará cómo cambiar las velocidades de los ventiladores, atenuar la luz, configurar temporizadores o utilizar el modo brisa.

**NOTA:** Máximo de 2 ventiladores pueden operar en un circuito a través del control de pared. Un máximo de 12 ventiladores pueden operar en un circuito a través de un interruptor de encendido / apagado o interruptor cuando se utiliza la aplicación para el control del ventilador (sin el control de pared en el circuito).



<https://bond.home.io/app>

HINKLEY SE ENCUENTRA ORGULLOSO DE PROPORCIONARLE PRODUCTOS PARA VENTILADORES DE TECHO QUE MEJORAN SU ESPACIO CON COMODIDAD, PROPÓSITO Y ESTILO. COMO EMPRESA FAMILIAR, ESTAMOS COMPROMETIDOS CON EL DISEÑO, EL RENDIMIENTO Y LA CALIDAD, Y LO QUE ES IMPORTANTE PARA USTED ES PARAMOUNT PARA NOSOTROS.

**PARA UN SURTIDO COMPLETO DE NUESTROS PRODUCTOS Y FUENTES DE LIBROS, VISITA [HINKLEY.COM](http://HINKLEY.COM).**

# HINKLEY

GLOBAL HEADQUARTERS

33000 Pin Oak Parkway | Avon Lake, Ohio 44012

T (440) 653 5500 | F (440) 653 5555 | [hinkley.com](http://hinkley.com)

HINKLEY

VENTILATEUR INTÉRIEUR / EXTÉRIEUR

# 60" CHISEL™



---

MANUEL D'UTILISATION DU  
VENTILATEUR DE PLAFOND

## **NOUS VOULONS VOUS AIMER VOTRE NOUVEAU FAN**

NOUS SOMMES ICI SI VOUS AVEZ UNE QUESTION, BESOIN D'UNE AIDE OU VOULEZ CHAT SUR NOS PRODUITS. ENVOYER DES SUGGESTIONS NOTRE FAÇON AUSSI - NOUS CHERCHONS TOUJOURS À FAIRE DE VOTRE EXPÉRIENCE AVEC HINKLEY UNE POSITIVE.

> [SERVICE@HINKLEY.COM](mailto:SERVICE@HINKLEY.COM)

> [800.HINKLEY](https://www.800.hinkley.com)

> [@HINKLEY](https://www.instagram.com/hinkley_style)  
[#HINKLEYSSTYLE](https://www.facebook.com/hinkley_style)

---

Ce manuel contient des instructions complètes pour l'installation et le fonctionnement de ce ventilateur. Il a été conçu pour rendre le processus d'installation aussi simple que possible. Si vous n'êtes pas familier ou mal à l'aise avec le câblage, veuillez contacter un électricien qualifié. Si vous avez besoin d'aide supplémentaire ou avez des questions, n'hésitez pas à nous contacter.

---

Pour des informations sur la garantie, visitez [hinkley.com](https://www.hinkley.com).



# TABLE DES MATIÈRES

02	INSTRUCTIONS GÉNÉRALES D'INSTALLATION ET D'UTILISATION	11	INSTALLATION DE LA COMMANDEMURALE
03	PRÉCAUTIONS DE SÉCURITÉ IMPORTANTES	12	OPÉRATION
03	OUTILS ET MATÉRIAUX REQUIS	14	ENTRETIEN ET NETTOYAGE
04	DÉBALLAGE DE VOTRE FAN	14	DÉPANNAGE
05	PRÉPARATION	15	GUIDE DE L'ÉNERGIE
05	INSTALLATION DU SUPPORT DE SUSPENSION	15	CARACTÉRISTIQUES
06	SUSPENDRE LE VENTILATEUR	15	SMART BY BOND
08	CONNECTIONS ELECTRIQUES		
09	FIN DE L'INSTALLATION		
10	ATTACHEMENT DE LA LAME		

REMARQUE: Limite d'un ventilateur par circuit d'alimentation

## ATTENTION:

AVERTISSEMENT: lisez et suivez attentivement ces instructions et tenez compte de tous les avertissements indiqués.

## INSTRUCTIONS GÉNÉRALES D'INSTALLATION ET DE FONCTIONNEMENT

- 1 Pour assurer le succès de l'installation, assurez-vous de lire les instructions et de lire attentivement les schémas avant de commencer.
- 2 Pour éviter tout choc électrique, assurez-vous que l'électricité est coupée sur le boîtier d'alimentation principal avant le câblage. Toutes les connexions électriques doivent être effectuées conformément aux codes locaux, aux ordonnances et / ou au National Electric Code. Si vous n'êtes pas familier avec les méthodes d'installation du câblage et des produits électriques, faites appel aux services d'un électricien qualifié et agréé ainsi que de quelqu'un qui peut vérifier la résistance des éléments de plafond et effectuer les installations et les connexions appropriées.
- 3 **AVERTISSEMENT:** pour réduire le risque d'incendie, de choc électrique ou d'autres blessures corporelles, montez le ventilateur uniquement sur une boîte de sortie ou un système de support marqué comme acceptable pour un support de ventilateur de 35 lb (15,9 kg) ou moins et utilisez les vis de montage fournies avec la boîte de sortie. La plupart des boîtiers de sortie couramment utilisés pour le support des appareils d'éclairage ne sont pas acceptables pour le support du ventilateur et peuvent devoir être remplacés. Consulter un électricien qualifié en cas de doute.
- 4 Assurez-vous que votre site d'installation ne permettra pas aux pales de ventilateur en rotation d'entrer en contact avec un objet. Les lames doivent être à au moins 7 pieds du sol.
- 5 Les lames doivent être fixées une fois le boîtier du moteur suspendu et en place. Le boîtier du moteur du ventilateur doit être conservé dans le carton jusqu'à ce qu'il soit prêt à être installé pour protéger sa finition. Si vous installez plusieurs ventilateurs de plafond, assurez-vous de ne pas mélanger des ensembles de pales de ventilateur, car chaque pale fait partie d'un ensemble pondéré.
- 6 Après avoir effectué les connexions électriques, les conducteurs épaissés doivent être tournés vers le haut et poussés avec précaution vers le haut dans la boîte de sortie. Les fils doivent être écartés avec le conducteur commun et le conducteur de mise à la terre sur un côté de la boîte de sortie, et le Fils "CHAUDS" de l'autre côté.
- 7 Les schémas électriques sont fournis à titre indicatif uniquement. Les kits d'éclairage qui ne sont pas emballés avec le ventilateur doivent être répertoriés UL et doivent être installés conformément aux instructions d'installation du kit d'éclairage.
- 8 Une fois le ventilateur complètement installé, assurez-vous que toutes les connexions sont sécurisées pour empêcher le ventilateur de tomber et / ou de causer des dommages ou des blessures.
- 9 Le ventilateur peut fonctionner immédiatement après l'installation - les roulements sont correctement chargés de graisse de sorte que, dans des conditions normales, une lubrification supplémentaire ne soit pas nécessaire pendant la durée de vie du ventilateur.
- 10 Pour activer la fonction d'inversion sur ce ventilateur, appuyez sur le bouton d'inversion pendant que le ventilateur fonctionne.

REMARQUE: Limite d'un ventilateur par circuit d'alimentation

## PRÉCAUTIONS DE SÉCURITÉ IMPORTANTES

### AVERTISSEMENTS:

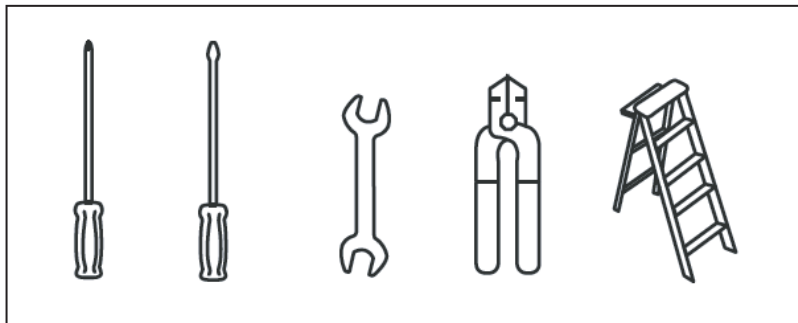
- Coupez l'alimentation en retirant le fusible ou en fermant le disjoncteur avant d'installer le ventilateur et / ou l'éclairage en option.
- Support directement à partir de la structure du bâtiment.
- Pour réduire le risque d'incendie, d'électrocution ou de blessure, montez sur la boîte de sortie marquée "acceptable pour le support du ventilateur" et utilisez les vis de montage fournies avec la boîte de sortie. La plupart des boîtiers de sortie couramment utilisés pour le support des appareils d'éclairage ne sont pas acceptables pour le support du ventilateur et peuvent devoir être remplacés. Consulter un électricien qualifié en cas de doute.
- N'utilisez pas de gradateur de lumière incandescente. N'utilisez pas ce ventilateur avec un dispositif de contrôle de vitesse de ventilateur de type transformateur.
- Pour réduire le risque de blessures corporelles, ne pliez pas les bras des pales lors de leur installation, de l'équilibrage des pales ou du nettoyage du ventilateur.
- N'insérez aucun objet entre les pales du ventilateur en rotation.

### REMARQUE:

Les précautions, garanties et instructions importantes figurant dans ce manuel ne sont pas destinées à couvrir toutes les conditions et situations possibles qui peuvent survenir. Il faut comprendre que le bon sens, la prudence et la prudence sont des facteurs qui ne peuvent être intégrés à ce produit. Ces facteurs doivent être fournis par la ou les personnes installant, prenant soin et utilisant l'appareil.

## OUTILS ET MATÉRIAUX REQUIS

- TOURNEVIS CRUCIFORME
- TOURNEVIS PLAT
- CLÉ OU PINCE
- COUPE-FIL
- ESCABEAU
- FOURNITURES DE CÂBLAGE  
COMME REQUIS PAR LE CODE  
ÉLECTRIQUE



# DÉBALLAGE DE VOTRE FAN

## DÉBALLER VOTRE FAN ET VÉRIFIER LE CONTENU

- Ne jetez pas le carton. Si un remplacement ou une réparation sous garantie est nécessaire, le ventilateur doit être retourné dans son emballage d'origine. Retirez toutes les pièces et le matériel. Ne posez pas le boîtier du moteur sur le côté, sinon le boîtier décoratif pourrait se déplacer, être plié ou endommagé.
- Examinez toutes les pièces. Vous devriez avoir les éléments suivants:

PACKAGE CONTENT		
1	Ensemble de 3 lames	BL903760FMB (Walnut) BL903760FMW (Weathered Wood) BL903760FGT(Driftwood)
2	Support de suspension	CA903744FMB
3	Auvent de plafond et anneau de garniture	CA903744FMW CA903744FGT
4	Couverture de joug	YC903744FMW YC903744FGT
5	Assemblage de tige de descente	DR94016FMB DR94016FMW DR94016FGT
6	Boîtier de ventilateur avec moteur * Retirez les supports d'expédition en caoutchouc autour du moteur, le cas échéant. Conservez les vis..	
7	Récepteur / contrôleur	CN903760
8	Commande murale avec: plaque frontale, 2 jeux de vis de montage et vis mécaniques 5 écrous de fil Commande murale avec batterie 12v	980013FAS
9	Sac de matériel	
	Vis de lame à moteur et Rondelles de blocage et rondelles plates. Matériel de câble de sécurité (vis à bois, rondelle plate) Matériel de montage du support (vis à bois, vis, rondelles de blocage, rondelles en étoile, rondelles plates) Kit d'équilibre	MH903744FMB MH903744FMW MH903744FGT

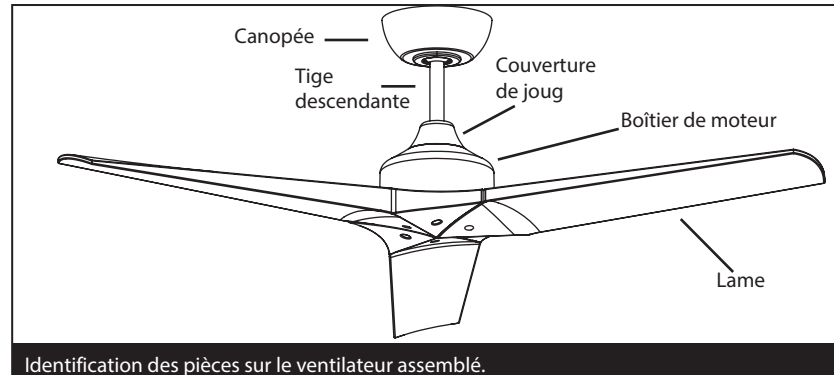
REMARQUE: La conception des pièces illustrées ci-dessus peut être légèrement différente pour votre modèle de ventilateur spécifique.

## PRÉPARATION

### PRÉPARATION:

Vérifiez que vous disposez de toutes les pièces avant de commencer l'installation. Vérifiez attentivement l'insert en mousse pour les pièces manquantes. Retirez le moteur de l'emballage. Pour éviter d'endommager la finition, montez le moteur sur une surface rembourrée ou utilisez l'encart en mousse d'origine dans le boîtier du moteur.

**NE PAS POSER LE BOÎTIER DU MOTEUR SUR SON CÔTÉ, CELA POURRAIT CAUSER UN CHANGEMENT DE MOTEUR EN BOÎTIER DÉCORATIF.**



Identification des pièces sur le ventilateur assemblé.

## INSTALLATION DU SUPPORT DE SUSPENSION

**ATTENTION:** Pour éviter tout risque d'électrocution, assurez-vous que l'électricité est coupée au niveau du boîtier d'alimentation principal avant le câblage. Tout le câblage doit être conforme aux codes électriques nationaux et locaux et le ventilateur de plafond doit être mis à la terre par mesure de précaution contre un éventuel choc électrique.

- 1 Localisez la solive de plafond à l'endroit où le ventilateur doit être installé, en vous assurant que l'emplacement est conforme aux exigences de la section dégagement minimum de ce guide. Les solives de bois doivent être solides et de taille adéquate pour supporter 35 livres (voir page 2, éléments 3 et 4).
- 2 S'il n'est pas déjà présent, montez une boîte de sortie homologuée UL marquée « approprié pour le support du ventilateur » en suivant les instructions fournies avec la boîte de sortie. La boîte de sortie doit pouvoir supporter un minimum de 35 livres.
- 3 Retirez la verrière du support de suspension. Retirez l'anneau de garniture à verrouillage par rotation en tournant dans le sens antihoraire. Retirez la vis de la verrière qui n'a pas de fente pour clé dans la verrière. Desserrez la vis avec la fente pour clé et retirez la verrière.
- 4 Fixez le support de suspension à la boîte de sortie à l'aide des vis fournies avec la boîte de sortie.

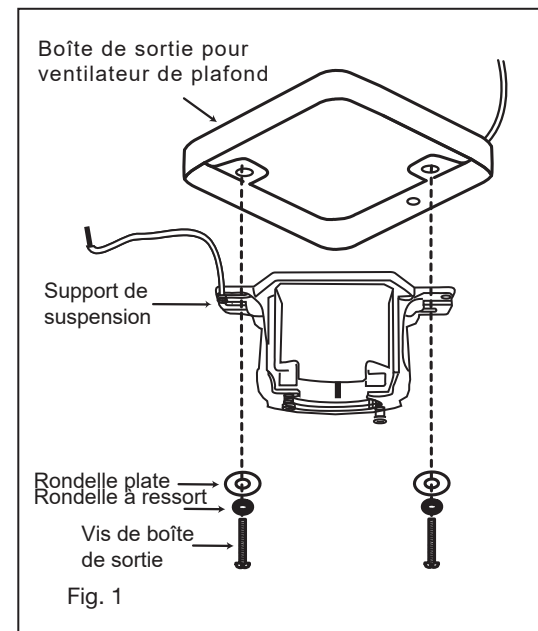
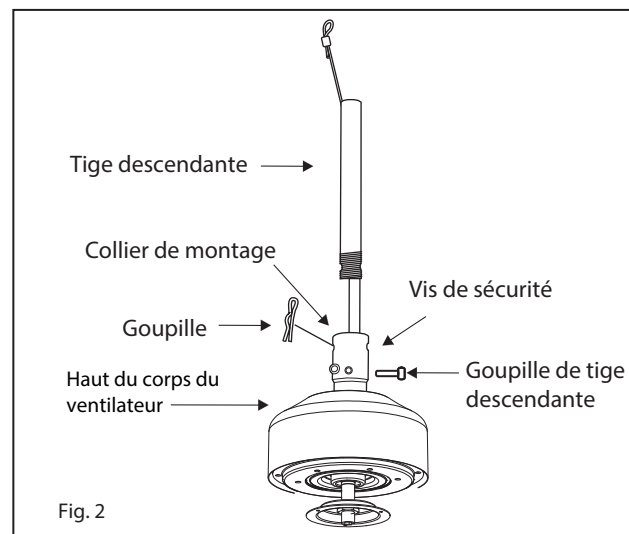
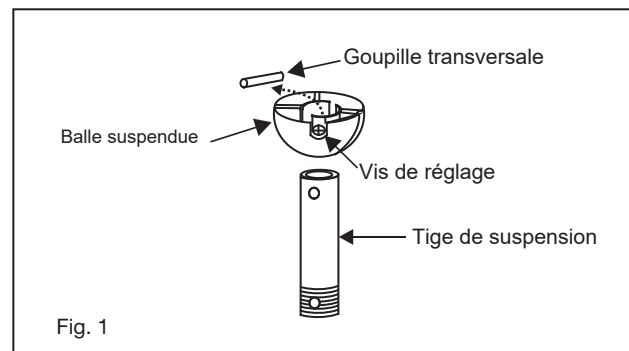


Fig. 1

## SUSPENDRE LE VENTILATEUR

- 1 Retirez la bille de la tige descendante en desserrant la vis de réglage sur le côté de la bille. Faites glisser la bille vers le bas et retirez la goupille à billes; retirer la bille. (Fig. 1)
- 2 Soutenez soigneusement le corps du ventilateur (moteur) dans son emballage en polystyrène avec le collier de montage (où les fils sortent) vers le haut.
- 3 Desserrez les deux vis de réglage de sécurité et retirez la goupille de tige descendante et le clip de retenue de l'accouplement sur le dessus de l'ensemble moteur. (Fig. 2)
- 4 Faites passer soigneusement les fils électriques et le câble de sécurité du ventilateur à travers la tige de descente. Vissez la tige descendante dans le coupleur jusqu'à ce que les trous s'alignent. Insérez la goupille de la tige descendante dans les trous du collier de montage et de la tige descendante; attachez la goupille fendue à travers le petit trou à l'extrémité de la tige de descente pour maintenir la tige de descente en place.
- 5 Serrez les vis de réglage de sécurité contre la tige descendante à l'aide d'un gros tournevis à lame plate pour assurer un ajustement serré contre la tige descendante. Serrez les écrous contre le collier de montage.



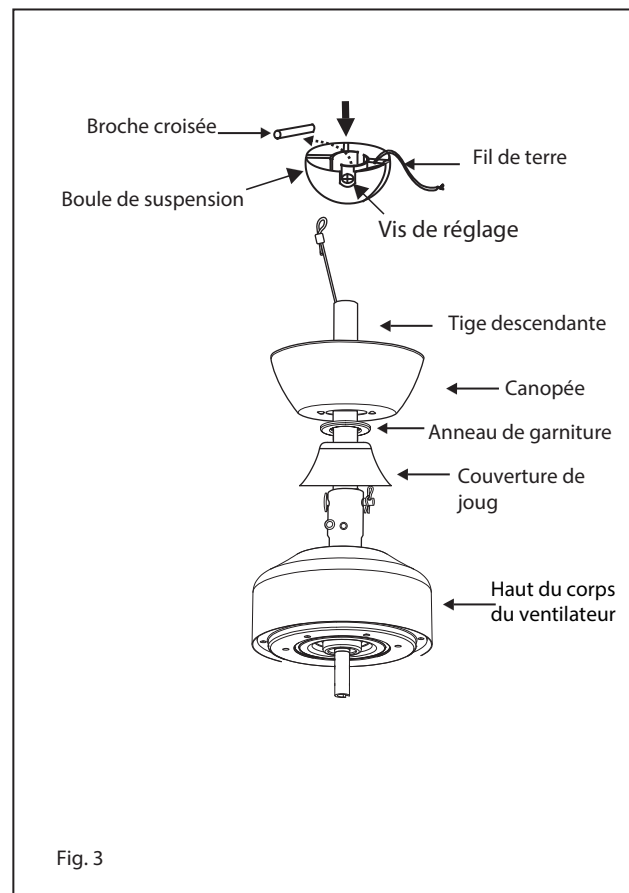
N'OUBLIEZ PAS de couper l'alimentation avant de commencer.

Pour installer correctement votre ventilateur de plafond, suivez les étapes ci-dessous.

- 6 Glissez le couvercle de joug, la bague de garniture et la verrière sur la tige de descente. (Fig. 3)
- 7 Faites glisser la boule de suspension sur la tige descendante, insérez la goupille transversale dans la tige descendante et serrez. Serrez la vis de réglage.
- 8 Faites passer les fils dans les trous du capuchon anti-humidité à bille en caoutchouc et faites glisser le capuchon sur le dessus de la bille. (Fig. 3) Soulevez la bille / tige descendante / ventilateur dans l'ouverture du support de suspension.
- 9 REMARQUE: La languette opposée à l'ouverture du support de suspension doit s'insérer dans la fente de la boule. (Fig. 4)

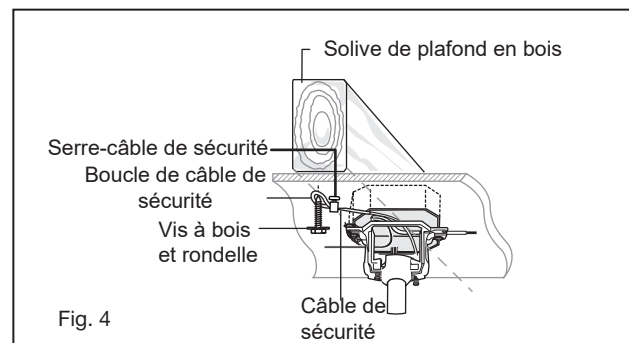
#### REMARQUE:

6 pieds de fil de plomb sont fournis sur le ventilateur pour une utilisation avec des tiges plus longues.



#### INSTALLATION DU SUPPORT DE CÂBLE DE SÉCURITÉ

Fixez la vis à bois et la rondelle plate à la solive du plafond comme illustré (ne serrez pas complètement). Faites glisser le serre-câble sur le câble de sécurité du ventilateur. Enroulez le câble de sécurité autour de la vis à bois qui vient d'être fixée à la solive de plafond. Faites passer l'extrémité du câble dans la pince et tirez autant de câble que possible. Serrez fermement la vis du collier. Couper le câble en excès.



# CONNECTIONS ELECTRIQUES

REMARQUE: un ventilateur par circuit d'alimentation.

**N'OUBLIEZ PAS** - Coupez l'alimentation! **REMARQUE** - La commande doit être installée à moins de 30 pieds du ventilateur.

Utilisez les serre-fils fournis avec votre ventilateur lors des connexions. Fixez les connecteurs avec du ruban électrique et assurez-vous qu'il n'y a pas de connexions desserrées ou de brins de fils.

- 1 Insérez le récepteur dans le haut du boîtier du ventilateur. (Fig. 1) Pour de meilleures performances, assurez-vous que l'antenne noire, à l'extrémité du récepteur, reste déployée et ne s'emmêle avec aucun des fils électriques.
- 2 Effectuez les connexions de câbles entre le ventilateur et le récepteur. Pour cette étape, utilisez le faisceau de 5 fils sur le récepteur. (Fig.2). 2)
  - Connectez le fil de ventilateur JAUNE au fil de récepteur JAUNE.
  - Connectez le fil de ventilateur GRIS au fil de récepteur GRIS.
  - Connectez le fil neutre du ventilateur ROUGE au fil neutre du récepteur ROUGE.
  - Connectez le fil neutre du ventilateur BLANC au fil neutre du récepteur BLANC.
  - Connectez le fil neutre du ventilateur BLEU au fil neutre du récepteur BLEU.
- 3 Connectez le câblage du plafond à l'unité de réception. (Utilisez le faisceau de 2 fils sur le récepteur.) Fixez avec le fil fourni
  - Connectez le fil d'alimentation du bâtiment NOIR au fil du récepteur NOIR.
  - Connectez le fil neutre du récepteur BLANC au fil neutre du bâtiment BLANC.
  - Connectez le fil de terre du bâtiment COPPER au fil de terre du ventilateur JAUNE / VERT.
  - Connectez également les deux fils VERT (du ventilateur) au fil de terre du bâtiment.

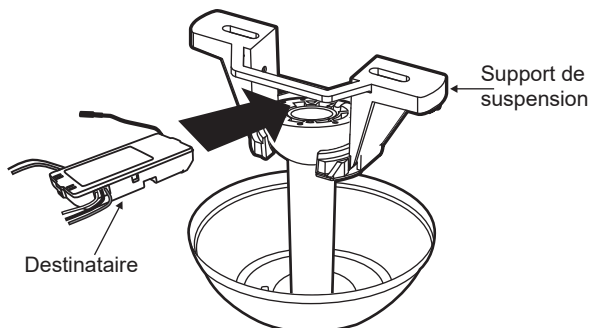


Fig. 1

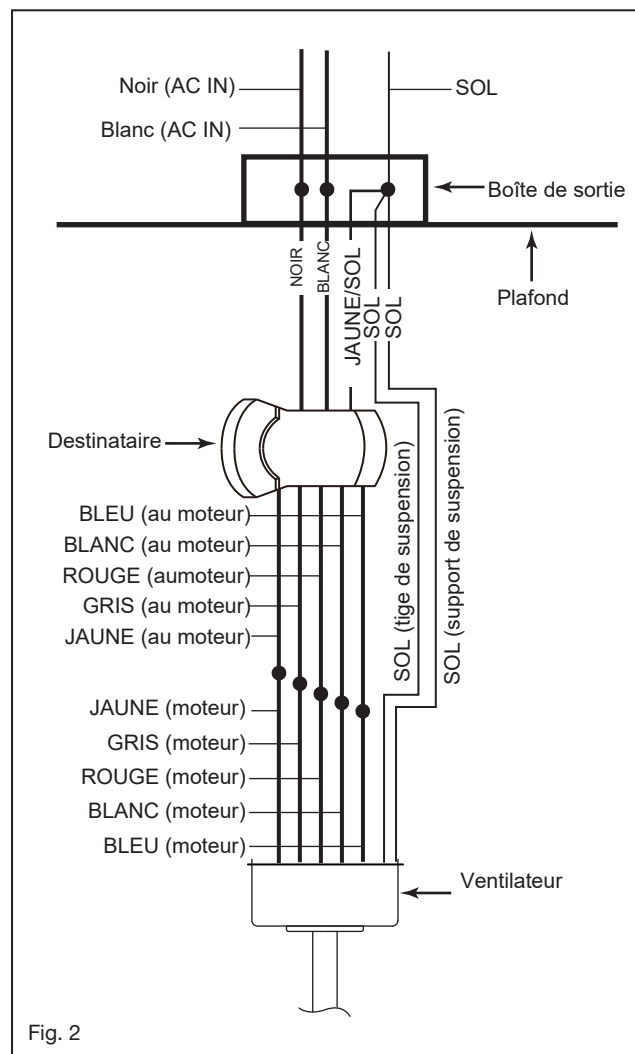
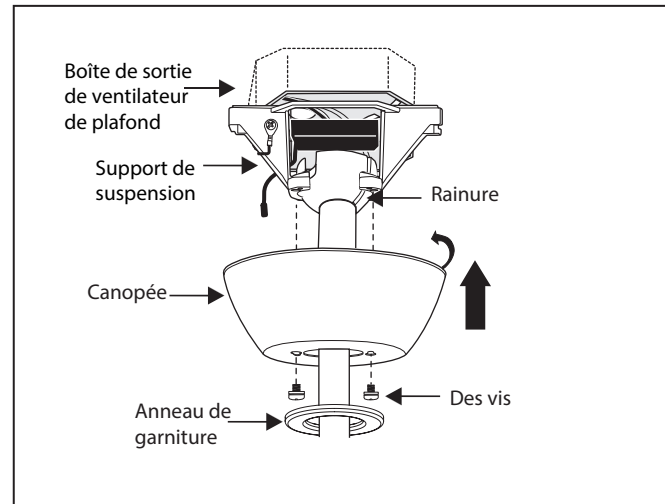


Fig. 2



## FIN DE L'INSTALLATION

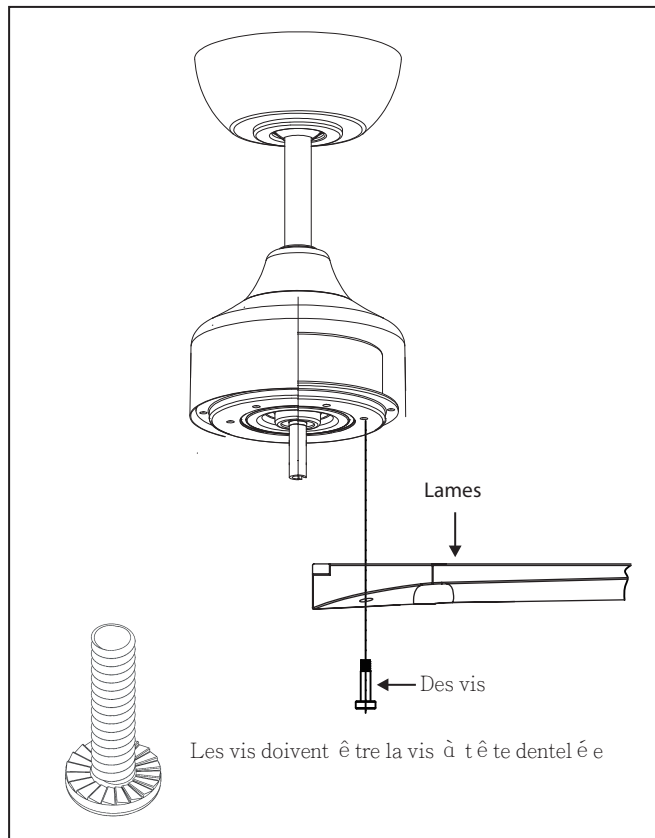
- 1 Rentrez soigneusement les connexions dans la boîte de sortie du plafond.
- 2 Faites glisser la verrière vers le support de montage et alignez le trou de clé sur la verrière à la vis du support de montage, tournez la verrière jusqu'à ce qu'elle se verrouille en place dans la section étroite des trous de clé.
- 3 Alignez le trou circulaire de la verrière avec le reste trou sur le support de montage, fixez en serrant le deux vis de réglage.
- 4 Assemblez l'anneau de garniture en alignant les fentes de l'anneau de garniture avec les têtes de vis de l'auvent.  
REMARQUE: Ajustez les vis de l'auvent au besoin jusqu'à ce que l'auvent et l'anneau de garniture soient bien serrés.



### ATTENTION :

Assurez-vous que le crochet du support de suspension se trouve correctement dans la rainure de la boule de suspension avant de fixer la verrière au support en tournant le boîtier jusqu'à ce qu'il se mette en place.

## FIXATION DE LA LAME



REMARQUE: retirez tous les supports en caoutchouc installés pour l'expédition

Fixez la lame au moteur à l'aide des vis, des rondelles de blocage et des rondelles plates fournies. Répétez la procédure pour les lames restantes. Assurez-vous que les vis sont **SERRÉES!** Des vis de moteur desserrés peuvent contribuer à un bourdonnement inutile pendant le fonctionnement.

REMARQUE: Les tournevis électriques sans fil ne sont **PAS** recommandés, car ils dénudent généralement les têtes des vis et ne compressent généralement pas complètement les rondelles de blocage sur les vis du moteur. Utilisez un gros tournevis à lame plate pour le serrage final afin de comprimer complètement les rondelles. Cela aidera à assurer un alignement correct des lames et un fonctionnement sans bruit et sans oscillation

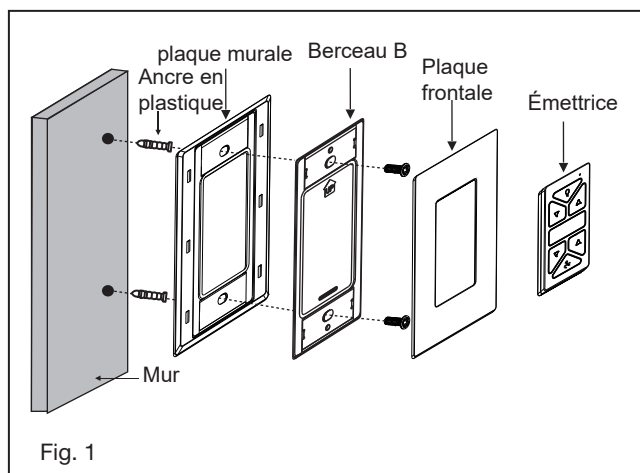
## INSTALLATION DE LA COMMANDE MURALE

N'OUBLIEZ PAS de couper l'alimentation avant de commencer.

REMARQUE - Se fixe à n'importe quelle surface ou application : mur plat, boîte simple, boîte multi.

Option 1. Installation sur une surface plane

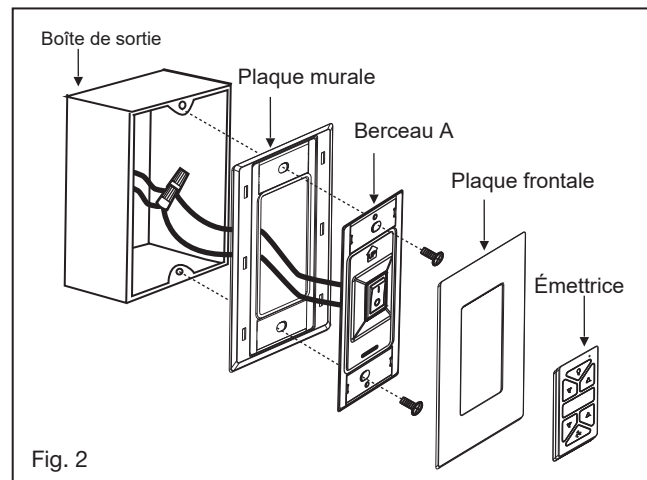
- 1 Sélectionnez un emplacement souhaité. Utilisez la plaque murale pour marquer l'emplacement des trous de montage. Des chevilles murales en plastique ou des vis de montage sont nécessaires pour cette application. (Fig. 1)
- 2 Placez le berceau B dans la plaque murale. Fixez la plaque murale au mur à l'aide de la quincaillerie fournie.
- 3 Enclenchez le couvercle de la plaque frontale sur le support mural.
- 4 L'émetteur à distance sera maintenu en place avec intégré



 **HIRO** Système de contrôle HIRO

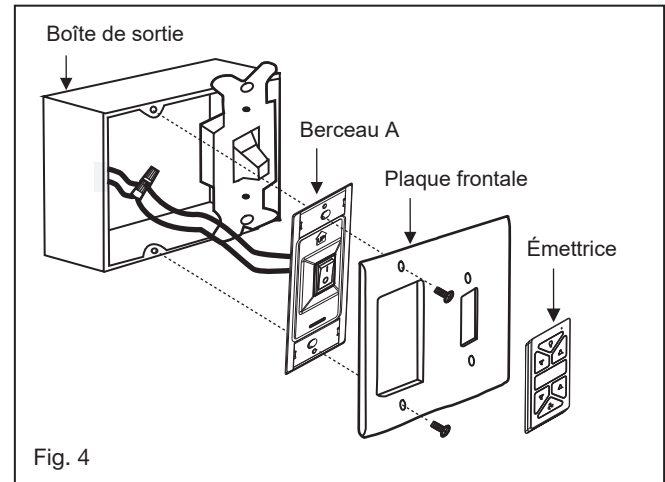
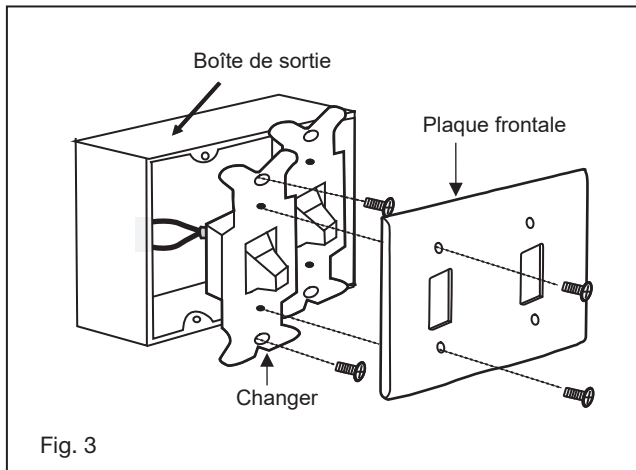
Option 2. Pour une seule boîte de gang

- 1 Retirez la plaque murale existante et l'ancien interrupteur de la boîte de prise murale.
- 2 Placez le berceau A dans la plaque murale. (Fig. 2)
- 3 Connectez les fils noirs du commutateur dans le berceau A aux fils noirs dans le boîtier de commutation. Fil d'entrée chaud vers l'un des fils du commutateur du berceau A. Le fil d'alimentation du ventilateur est connecté au fil de l'interrupteur restant.
- 4 Connectez l'ensemble plaque murale / berceau A à la boîte de sortie murale à l'aide du matériel fourni.
- 5 Enclenchez le couvercle de la plaque frontale sur le support mural.
- 6 L'émetteur à distance sera maintenu en place avec des aimants intégrés.



### Option 3. Installation d'un boîtier d'interrupteur mural multi-groupes

- 1 Retirez la plaque murale existante et l'ancien interrupteur de la boîte de prise murale. (Fig. 3)
- 2 Connectez les fils noirs du commutateur dans le berceau A aux fils noirs dans le boîtier de commutation. Fil d'entrée chaud vers l'un des fils du commutateur du socle. Le fil d'alimentation du ventilateur est connecté au fil de l'interrupteur restant. (Fig. 4)
- 3 Fixez le berceau A au boîtier d'interrupteur mural à l'aide du matériel fourni.
- 4 Fixez la plaque frontale multi-gang à l'interrupteur situé dans la boîte de prise murale. Le berceau A de l'interrupteur Hinkley s'adaptera à n'importe quelle plaque frontale decora standard.
- 5 L'émetteur à distance sera maintenu en place avec des aimants intégrés



**HIRO** Système de contrôle HIRO

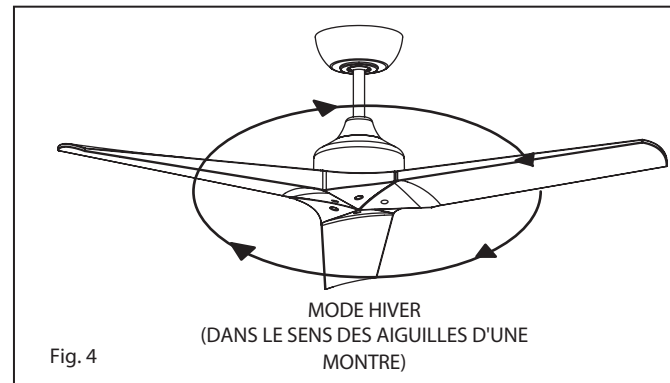
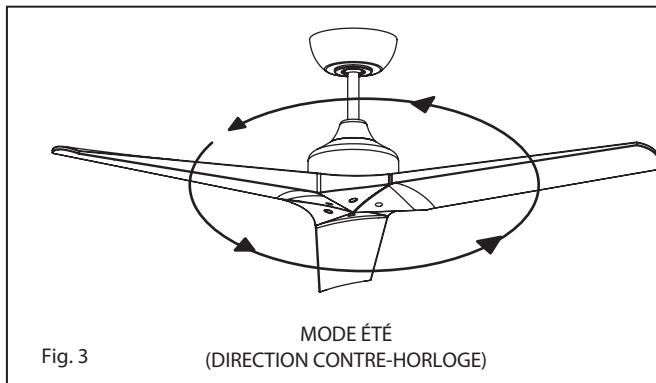
### Fonctionnement en mode été et en mode hiver

#### Mode été (avant):

8 Un flux d'air VERS LE BAS crée un effet de refroidissement comme illustré à la figure 3. Cela vous permet de régler votre climatiseur sur un réglage plus chaud sans affectant votre confort.

#### 9 Mode hiver (marche arrière):

Un flux d'air VERS LE HAUT déplace l'air plus chaud hors de la zone du plafond, comme illustré à la figure 4. Cela vous permet de régler votre unité de chauffage sur un réglage plus frais sans affecter votre confort.



## ENTRETIEN ET NETTOYAGE

Périodiquement, il peut être nécessaire de resserrer la lame sur les vis du bras de lame ou le bras de lame sur les vis du moteur pour éviter un cliquetis ou un bourdonnement pendant le fonctionnement. Cela est particulièrement vrai dans les climats avec de larges plages de température et d'humidité.

Lors du dépoussiérage des lames, vous devez soutenir la lame pour éviter qu'elle ne se plie - aucune pression ne doit être appliquée sur les lames. Si vous rencontrez des défauts dans le fonctionnement de votre ventilateur, veuillez vérifier les points suivants.

## DÉPANNAGE

### MISE EN GARDE:

Coupez l'alimentation électrique avant d'effectuer l'un de ces contrôles..

#### PROBLÈME

#### SOLUTION

LE VENTILATEUR  
NE DÉMARRE  
PAS

1. Vérifiez les fusibles ou les disjoncteurs du circuit.
2. Vérifiez le voyant LED de la commande murale. Si la LED n'est pas allumée lorsque vous appuyez sur un bouton, il ne transmet pas de signal. Veuillez vérifier l'alimentation de la commande murale / du disjoncteur et de toutes les connexions électriques.
3. Assurez-vous qu'il n'y a pas plus de 2 ventilateurs fonctionnant sur un circuit à travers la commande murale. Assurez-vous qu'il n'y a pas plus de 12 ventilateurs fonctionnant sur un circuit via un interrupteur mural marche / arrêt ou un disjoncteur (et non via une commande murale).
4. Assurez-vous que le ventilateur est à portée du WiFi (150 pieds) ou de la commande murale (30 pieds).
5. Vérifiez qu'un seul ventilateur est installé dans le circuit d'alimentation.

BRUIT DES  
VENTILATEURS

1. Prévoyez une période de «rodage» de 24 heures. La plupart des bruits associés à un nouveau ventilateur disparaîtront pendant ce temps.
2. Assurez-vous que toutes les vis du boîtier du moteur sont solidement fixées.
3. Assurez-vous que les vis qui fixent la pale du ventilateur au ventilateur sont bien serrées.
4. Assurez-vous que votre boîtier de plafond est sécurisé et que des tampons isolants en caoutchouc sont utilisés entre le support de montage et le boîtier de sortie.

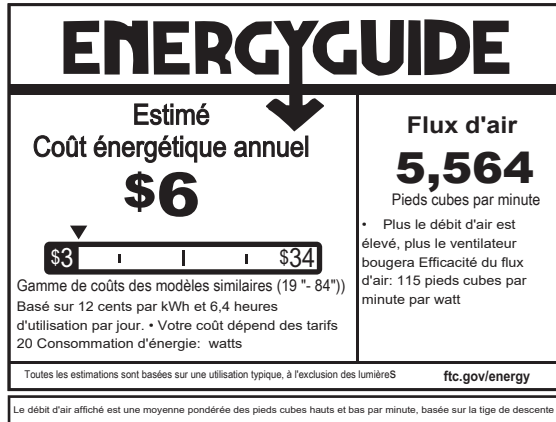
WOBBLES DE  
VENTILATEUR

1. Vérifiez que toutes les vis de la lame et du bras de lame sont bien fixées.
2. Si l'oscillation de la lame est toujours perceptible, le fait d'interchanger deux lames adjacentes (côte à côte) peut redistribuer le poids et éventuellement entraîner un fonctionnement plus fluide.
3. Vérifiez que toutes les tiges de fixation de la quincaillerie du moteur et / ou de la boule de suspension sont bien serrées.
4. Assurez-vous que le boîtier de plafond est sécurisé.

## GUIDE ÉNERGÉTIQUE

## CARACTÉRISTIQUES

### PERFORMANCE MOYENNE ET INFORMATIONS ÉNERGÉTIQUES



SPÉCIFICATIONS DE PERFORMANCE	LA NORME	
	HAUTE VITESSE	FAIBLE VITESSE
Débit d'air (CFM)	8035	2763
Consommation d'énergie (watts)	33.6	2.3
Efficacité du flux d'air (CFM / W)	239	1201
Coûts énergétiques (annuels)	9	1
Amplis	0.48	0.08
RPMs	177	50

## SMART BY BOND

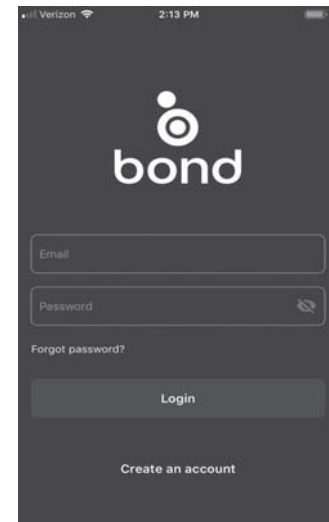
### OPTIONS DE VENTILATEUR HINKLEY SMART

#### VENDU SÉPARÉMENT:

En plus du contrôle mural inclus, vous pouvez contrôler votre ventilateur Hinkley via l'application Bond.

- Pour utiliser l'application, téléchargez-la gratuitement depuis l'App Store ou Google Play.
- Ouvrez l'application pour créer votre compte. Vous pouvez également vous connecter avec votre compte Facebook ou Google.
- Ensuite, configurez une connexion WiFi. Vous aurez besoin du SSID et du mot de passe WiFi pour le réseau auquel vous souhaitez vous connecter.
- Vous serez invité à choisir la finition de votre ventilateur et à nommer votre périphérique de ventilateur.
- L'application vous guidera à travers l'écran principal et vous montrera comment modifier la vitesse des ventilateurs, atténuer la lumière, régler les minuteries ou utiliser le mode brise.

**REMARQUE:** 2 ventilateurs maximum peuvent fonctionner sur un circuit via la commande murale. Un maximum de 12 ventilateurs peuvent fonctionner sur un circuit via un interrupteur marche / arrêt ou un disjoncteur lors de l'utilisation de l'application pour la commande du ventilateur (sans la commande murale dans le circuit).



<https://bond.home.io/app>

HINKLEY EST FIER DE VOUS FOURNIR DES PRODUITS POUR VENTILATEURS DE PLAFOND QUI AMÉLIORENT VOTRE ESPACE AVEC CONFORT, BUT ET STYLE. EN TANT QU'ENTREPRISE FAMILIALE, NOUS SOMMES ENGAGÉS À LA CONCEPTION, À LA PERFORMANCE ET À LA QUALITÉ, ET CE QUI EST IMPORTANT POUR VOUS EST PARAMOND POUR NOUS. POUR UN ASSORTIMENT COMPLET DE NOS PRODUITS ET LIVRES SOURCE, CONSULTEZ [HINKLEY.COM](http://HINKLEY.COM).



# HINKLEY

GLOBAL HEADQUARTERS

33000 Pin Oak Parkway | Avon Lake, Ohio 44012

T (440) 653 5500 | F (440) 653 5555 | [hinkley.com](http://hinkley.com)