



# CAL LIGHTING

3625 E. Philadelphia St. Ontario CA. 91761 • Tel: 909.947.5200 • Fax:  
909.947.5673 • www.calighting.com • service@calighting.com •  
Specifications subject to change without notice

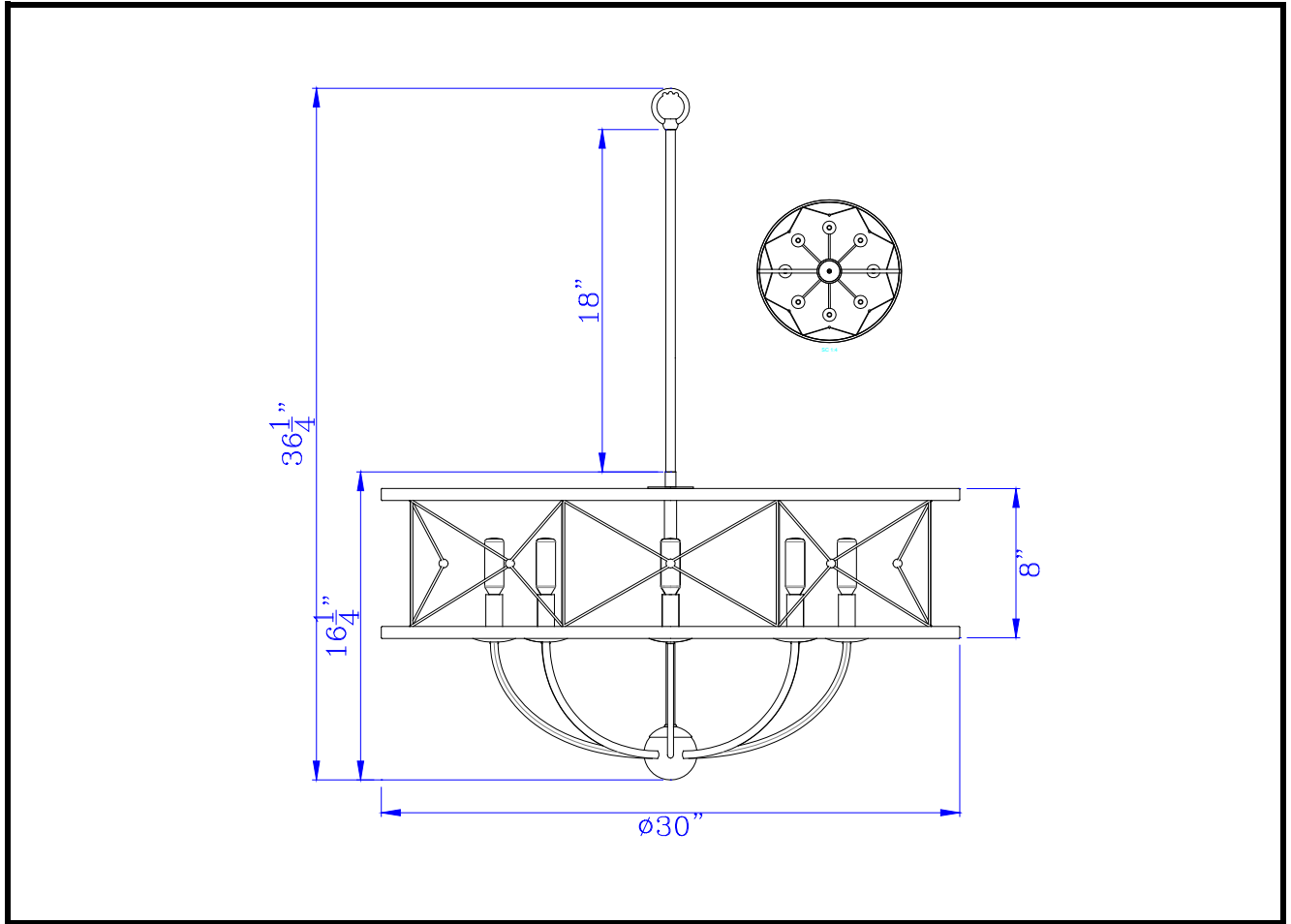
Type: \_\_\_\_\_

Project: \_\_\_\_\_

Catalog No.: \_\_\_\_\_

Lamp/Wattage: \_\_\_\_\_

Drawing:



**Model No:** FX-3685-8  
**Description:** 40W x 8 Modica metal pendant fixture  
**Material:** Metal  
**Finish :** Distress Ivory/Iron  
**Height:** 36 1/4"  
**Width:** 30"  
**Wattage :** 40Wx8  
**Socket :** Candelabra Base (E12)  
**Bulb:** Incandescent  
**Chain Length:** 6'  
**Wire Length:** 10'  
**Wire Color:** Black  
**Shade No:** None  
**Material:** None  
**Shade size:** None

**Certificate :** 