

Please go to [www. quoizel.com](http://www. quoizel.com) for product cleaning tips. Go to the **Care + Maintenance** selection.

**Tools Required:** Flathead screwdriver, Phillips screwdriver, pliers, wire cutters, wire strippers, electrical tape, safety glasses.

**Light Source:** (1) Medium Base Decorative Filament 60W bulb (provided), Maximum 150W, Alternate bulb (1) CFL Maximum.

**Estimated Assembly Time:** 20-30 minutes

**Preparation:** Identify and inspect all parts before beginning installation. Check package content list and diagrams below to be sure all parts are present. If any parts are missing or damaged, do not attempt to assemble, install, or operate the fixture. Contact customer service for replacement parts.

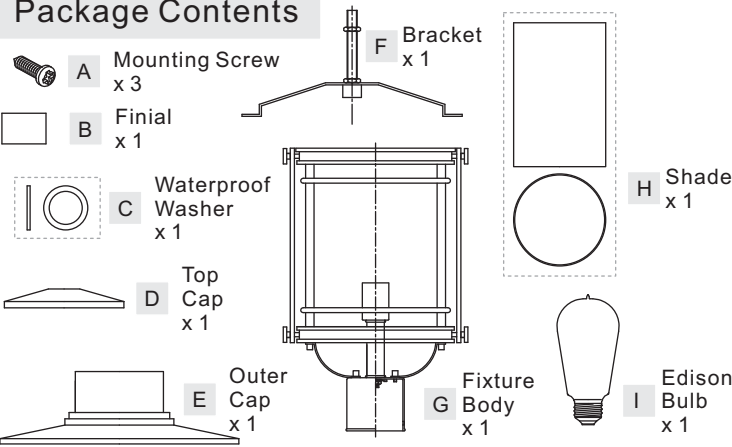
**⚠ Warnings and Cautions**

Turn off electricity at circuit breaker or main fuse box before installation. Consult a licensed electrician if in doubt.

These instructions are provided for your safety. It is very important you read them completely before installing the fixture. We strongly recommend that a licensed, professional electrician perform the installation.

Disconnect fixture from power source before replacing bulbs. Make sure bulbs are given sufficient time to cool before removal. Do not subject glass parts to any shock while in operation or shattering may result.

**Package Contents**



**STEP 3 – Drill Pilot Holes on Post**

- A. Carefully fit the Post Fitter over the end of the Post (not supplied), making sure the Post Fitter is fully seated.
- B. Mark the drill point for the (3) Mounting Screws, using (3) Mounting Holes as reference. After marking hole locations, remove fixture from post and drill 1/16" pilot holes for screws.

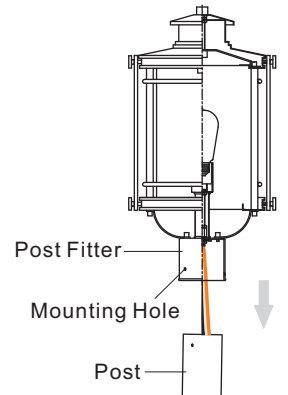


Figure 3

**STEP 4 - Wire Connections**

- A. Use standard wire connectors (not included) to make all wire connections. Twist connectors until wires are tightly joined together. Wrap each connection with approved electrical tape and carefully stuff all the connected wires into the Outlet Box.

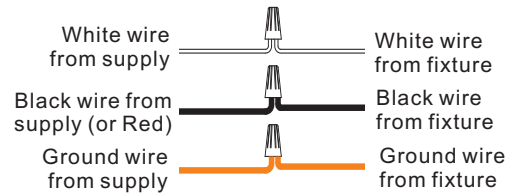


Figure 4

**STEP 1 – remove the Ring from Fixture Body**

- A. Unscrew Lock Ball and Lock Screw from Fixture Body to remove the Ring.

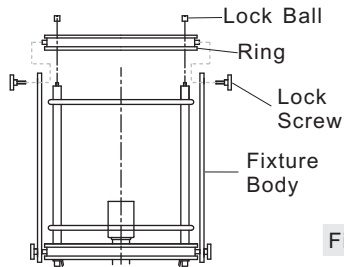


Figure 1

**STEP 2 – Assembly Shade to Fixture Body**

- A. This fixture uses Medium Base Decorative Filament 60W bulb (I), Maximum 150W. Insert bulb and screw snugly into place.
- B. Place the Shade (H) in to the Fixture Body (G). Place the Ring, the Bracket (F) over the Bolt on the Fixture Body (G) properly, secure by threading Lock Ball onto the Bolt, hand tighten until snug.
- C. Reinstall Lock Screw onto the Fixture Body (G).
- D. Place Outer Cap (E), Top Cap (C) and Waterproof Washer (C) onto the Nipple on the top of Bracket (E), secure by threading Finial (B) onto the Nipple. hand tighten until snug.

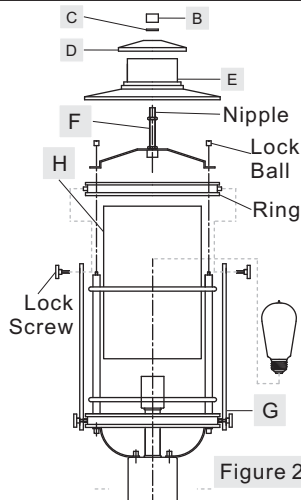


Figure 2

**STEP 5 – Attach Fixture Body to Post**

- A. Coat the top 1" of the Post with Clear Silicone Caulk (not supplied) and position the Post Fitter onto the Post. Be sure to seat it completely, aligning the holes in the Fitter with the 1/16" Pilot Holes drilled into the Post.
- B. Secure the Fixture to Post with (3) Mounting Screws (A).

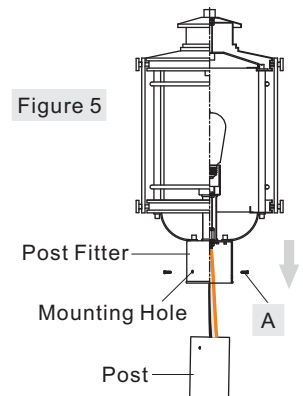


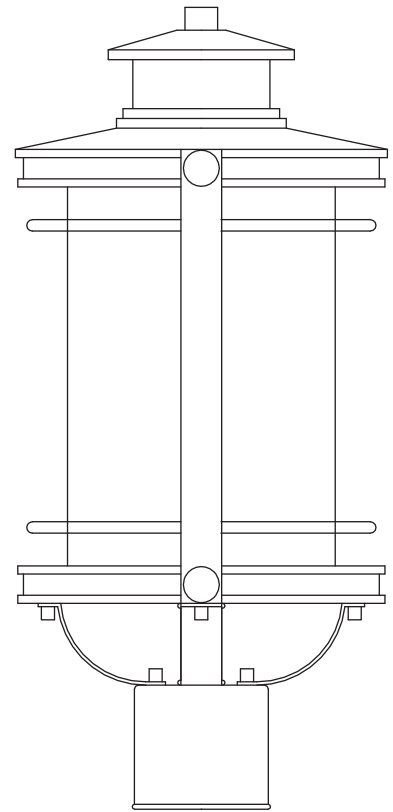
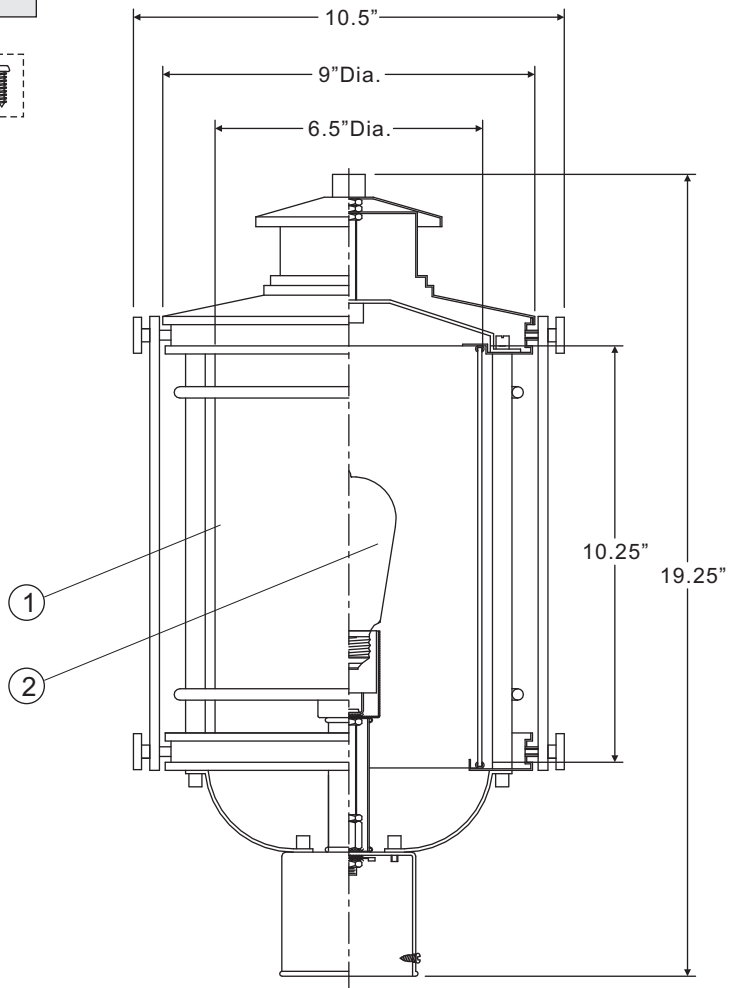
Figure 5

Your fixture is now assembled and ready to use. Enjoy!

**Thank you for purchasing a Quoizel product.**  
Need assistance with parts or assembly? Call Quoizel customer service at 1-631-273-2700 or visit us on-line at [www. quoizel.com](http://www. quoizel.com)

BKR9010K

FINISH: MYSTIC BLACK



(1) Medium Base  
Decorative  
Filament 60W  
bulbs (provided),  
Maximum 150W.

NOTE: ALL DIMENSIONS ARE ROUNDED UP TO THE NEAREST 1/4"

NO.	PART NUMBER	REPLACEMENT PART DESCRIPTION	QTY.
1	G12819SH	SHADE	1
2	I1101EC	VINTAGE BULB	1

Thank you for purchasing a Quoizel product.  
Need assistance with parts or assembly? Call Quoizel customer service at 1-631-273-2700  
or visit us on-line at [www.quoise.com](http://www.quoise.com)