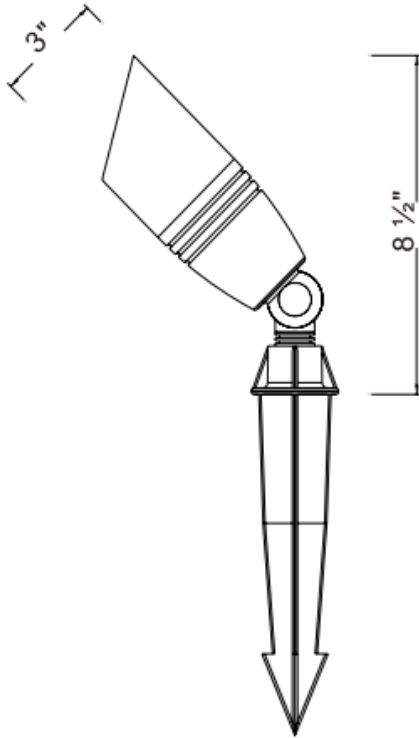


CO29L

OUTDOOR LANDSCAPE LIGHTING

SPOT LIGHT

Elitco Lighting



PRODUCT DESCRIPTION

Die Casting brass spotlight includes spike and 3' of wire.

SPECIFICATIONS:

Material: Die Casting brass

Lead wire: 3' SPT1W-18

Glass or Lens: Clear lens

light source(not included): LED MR16 lamp

Maximum Lamp Rating: 20W

FINISHES: Antique Brass

INSTALLATION:

Hammer the spike into ground. Clear away area in ground at wire way slot in top of spike. Lay 12V cable into wire way slot and screw luminaire into spike. Loose the Hood screw and Pull the Hood out. Screw the top body and install the MR16 lamp into the socket. And then install the top body and hood. Loose the thumb screws to get desired angle, then tightening the thumb screw.

DIMENSIONS: D3" X H8.5"

LABELS: N/A