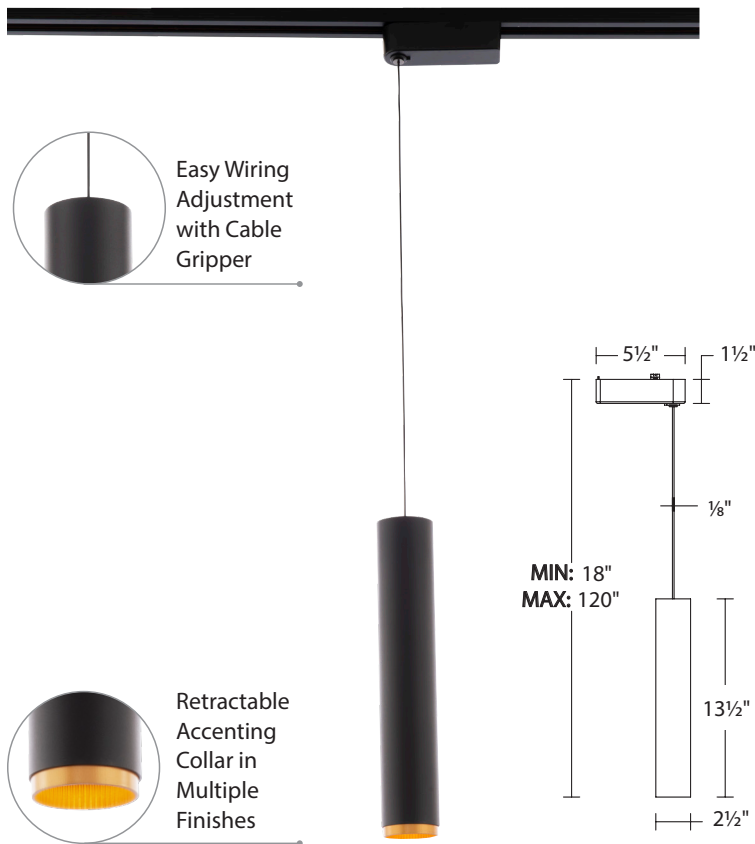


# SILO – model: H/J/L-PD2020

## H/J/L Track Pendant

# WAC LIGHTING



Fixture Type:

Catalog Number:

Project:

Location:

### PRODUCT DESCRIPTION

A sleek, rotatable design, affording continuous 15°-45° beam adjustment. Single and two-tone finishes in a monopoint or track pendant complement any space.

### SPECIFICATIONS

- Construction:** Extruded aluminum with PC retractable accenting collar
- Power:** 20W
- Input:** 120VAC, 50-60Hz
- Dimming:** Electronic Low Voltage (ELV): 100%-5%  
Refer to dimming report for compatibility
- Light Source:** Integrated LED, 3-step Mac Adam Ellipse
- Rated Life:** 50,000 Hours at L70
- Finish:** Electrostatically powder coated Black or White body  
Black, Gold, or White retractable collar
- Operating Temp:** -4° F to 104° F (-20° C to 40° C)
- Standards:** ETL & cETL Dry Location Listed

### FEATURES

- Extruded aluminum construction
- Available as monopoint (PD) and for H/J/L track
- Retractable accenting collar can be rotated for continuous 15°- 45° beam adjustment
- Easy wiring adjustment with cable-gripper on fixture body
- Track adapter, wire, and fixture body all match in color
- Retractable accenting collar available in multiple finishes extends up to 3/8" to create a two-tone finish
- No splicing required for pendant height adjustment on track
- Driver concealed within the track adapter
- 5 year warranty

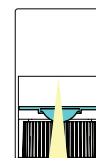
### ORDER NUMBER

System	Model	Beam	Lumens	CBCP	Color Temp	CRI	Finish	Body/Collar
<b>H</b> <i>H Track</i>	<b>PD2020</b>	15°	760	5944	<b>927</b> 2700K	90	<b>BK/BK</b>	<i>Black/Black</i>
		45°	1125	1722	<b>930</b> 3000K		<b>BK/GL</b>	<i>Black/Gold</i>
					<b>935</b> 3500K		<b>BK/WT</b>	<i>Black/White</i>
					<b>940</b> 4000K		<b>WT/BK</b>	<i>White/Black</i>
<b>L</b> <i>L Track</i>						<b>WT/GL</b>	<i>White/Gold</i>	
<b>J</b> <i>J/J2 Track</i>						<b>WT/WT</b>	<i>White/White</i>	

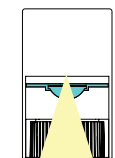
**-PD2020-930-**

Example: **H-PD2020-930-WT/BK**

Continuously adjustable beam angles from 15° to 45°



15°  
SPOT



45°  
FLOOD

wacighting.com  
Phone (800) 526.2588  
Fax (800) 526.2585

Headquarters/Eastern Distribution Center  
44 Harbor Park Drive  
Port Washington, NY 11050

Central Distribution Center  
1600 Distribution Ct  
Lithia Springs, GA 30122

Western Distribution Center  
1750 Archibald Avenue  
Ontario, CA 91760