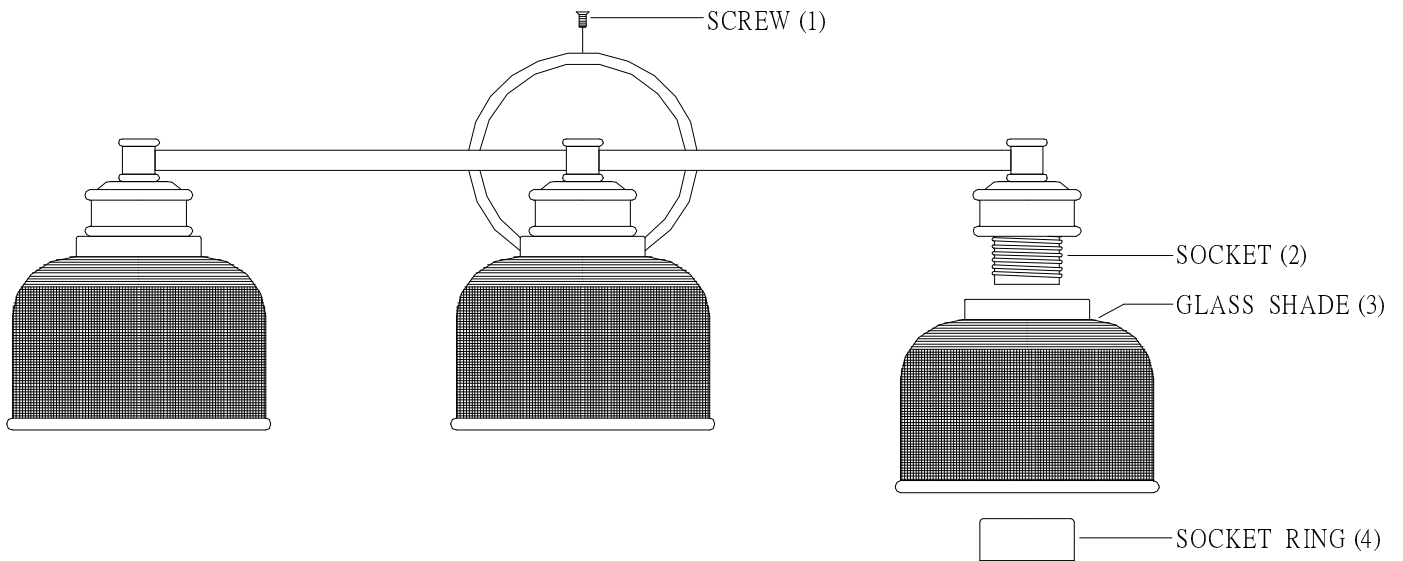


ITEM NO: M80034BN/CH/MBK/NB
M80035BN/CH/MBK/NB
M80036BN/CH/MBK/NB



INSTALLATION INSTRUCTIONS

1. Carefully remove the fixture out of the carton, and check that all parts are included referring to the above illustration. Make sure not to misplace any parts that are needed for the installation;
2. Install the glass shade (3) onto socket (2), then screw them with socket ring (4).
3. Fixture is ready for lamping and installation.