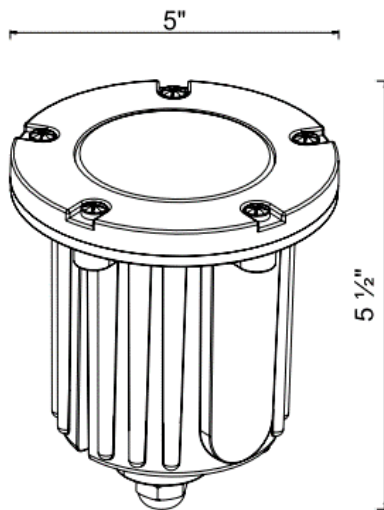
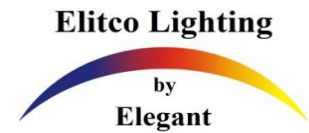


# W121

## OUTDOOR IN-GROUND LANDSCAPE LIGHTING WELL LIGHT



### PRODUCT DESCRIPTION

outdoor lighting well light that uses an MR16 lamp (not included). The socket is mounted on an adjustable gimbal so the lamp angle can be adjusted. The cover is thick die casting brass.

### SPECIFICATIONS:

**Material:** Die Casting brass cover

**Lead wire:** 3' SJTOW 2\*16A(1.3MM<sup>2</sup>)

**Glass or Lens:** Clear Glass

**light source(not included):** MR16/Gu5.3 LED Lamp

**Maximum Lamp Rating:** 35W

**FINISHES:** Antique Brass

### INSTALLATION:

**Dig a hole approximately 10" diameter by 8" deep. This allows approximately 3" of pea gravel or sand to surround ABS housing. Strip the two leads from luminaire pigtail wire. Using the wire connectors (not included), connect the leads from the luminaire to the main supply cable leads. Install luminaire in the hole and backfill hole after installation with pea gravel or sand.**

**DIMENSIONS:** D5" X H5.5"

**LABELS:** N/A