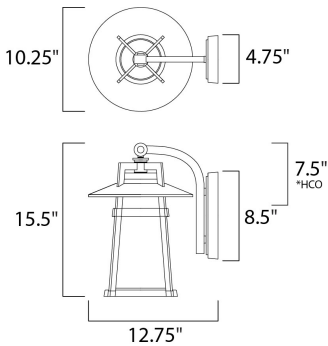




PRODUCT DESCRIPTION

Classic, contemporary style of Die Cast aluminum finished in Adobe features an integral hood and Satin White conical shade, which help cast light in a downward direction.



*height from center of outlet to the top of the fixture

MEASUREMENTS

DIMENSION : 10.25" W x 15.5" H x 12.75" Ext
 BACK PLATE : 4.75" W x 8.5" H x 7.5" HCO
 HANGING WEIGHT : 5.95 lb

LAMPING

INPUT VOLTAGE : 120V
 LUMENS : 0 Rated
 BULB : 1 x 60W Incandescent E26 Medium , 60W Total
 BULB INCLUDED : (Not Included)
 DIMMABLE : Yes

FINISHES OPTION

 Adobe

GLASS

Satin White SW

MATERIAL

Die Cast Aluminum, Glass

RATINGS

cETLus
 Wet Location



ADDITIONAL

OPERATING TEMPERATURE:
 -20°C (-4°F), 40°C (104°F)

Always consult a qualified electrician before installing any lighting product.



WESTERN DISTRIBUTION CENTER (HEADQUARTER)
 253 NORTH VINELAND AVE | CITY OF INDUSTRY, CA 91746
EASTERN DISTRIBUTION CENTER
 4200 SHIRLEY DR. | ATLANTA, GA 30336
 P. 626.956.4200 | F. 626.956.4225 | maximlighting.com