



INDY MAXX

PRODUCT DETAILS:

- This item includes a 6" down rod. Other various lengths of down rods are available and sold separately to customize the installation height.
- Suitable for use in damp locations as defined by NEC and CEC. Meets United States UL Underwriters Laboratories & CSA Canadian Standards Association Product Safety Standards
- Meets California Energy Commission 2013 & 2016 Title regulations/JA8
- This item may be hung on a sloped ceiling
- This item includes a light kit cover
- WiFi compatibility with included fan control
- Fan Control included, HIRO Control - 6 Speed Reversing
- LED components carry a 5-year limited warranty

INDY MAXX

900999FMW-LDD

INDY MAXX 99" LED FAN

| DETAILS | |
|---------------|-------------|
| FAN FINISH: | Matte White |
| GLASS: | Etched Opal |
| BLADE COUNT: | 6 |
| SLOPE DEGREE: | 20 |

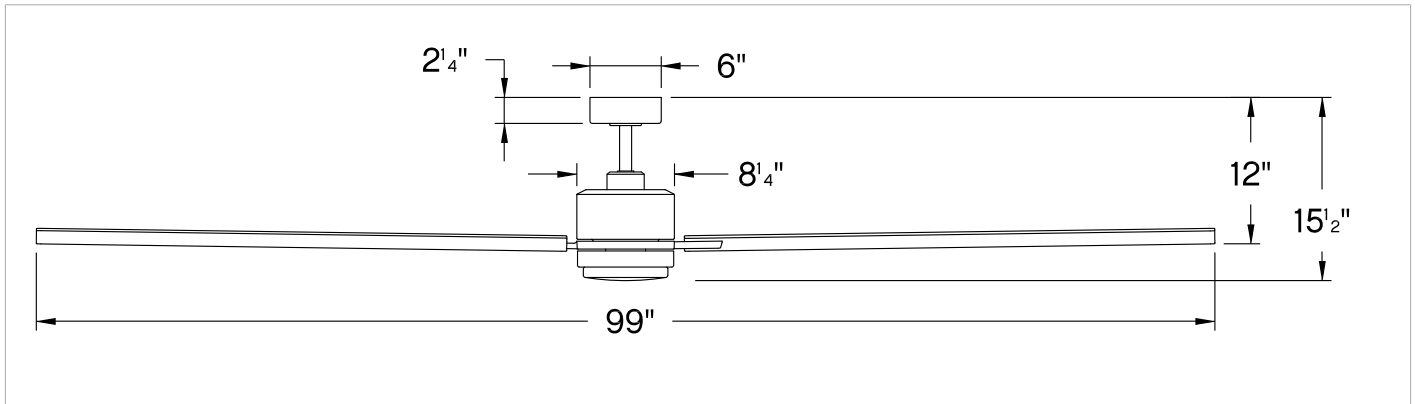
| DIMENSIONS | |
|------------|-------|
| WIDTH: | 99" |
| HEIGHT: | 15.5" |

| LIGHT SOURCE | |
|--------------|------|
| VOLTAGE: | 120v |

| MOUNTING | |
|------------|---------|
| CANOPY: | 6" Dia. |
| LEAD WIRE: | 1 X 76" |

INDY MAXX 99" LED FAN

900999FMW-LDD



| PERFORMANCE SPECIFICATIONS | STANDARD | |
|----------------------------|------------|---------------|
| | HIGH SPEED | AVERAGE SPEED |
| Airflow | 10775 | 7985 |
| EnergyUse | 41.5 | 30 |
| EnergyCost | 12 | 8 |
| Efficiency | 260 | 266 |
| AMPS | 0.54 | 0.32 |
| RPMS | 66 | 48 |

AVERAGE PERFORMANCE AND ENERGY INFORMATION

ENERGYGUIDE

Estimated
Yearly Energy Cost
\$8

\$3
\$34

Cost Range of Similar Models (19" – 84")

- Based on 12 cents per kWh and 6.4 hours use per day
- **Your cost depends on rates and use**
- Energy Use: 30 Watts

Airflow
7,985
Cubic Feet Per Minute

- The higher the airflow, the more air the fan will move
- Airflow Efficiency: 266 Cubic Feet Per Minute Per Watt

All estimates based on typical use, excluding lights ftc.gov/energy

Airflow Shown is a Weighted Average of High and Low Cubic Feet per Minute Based on Downrod