



CAL LIGHTING

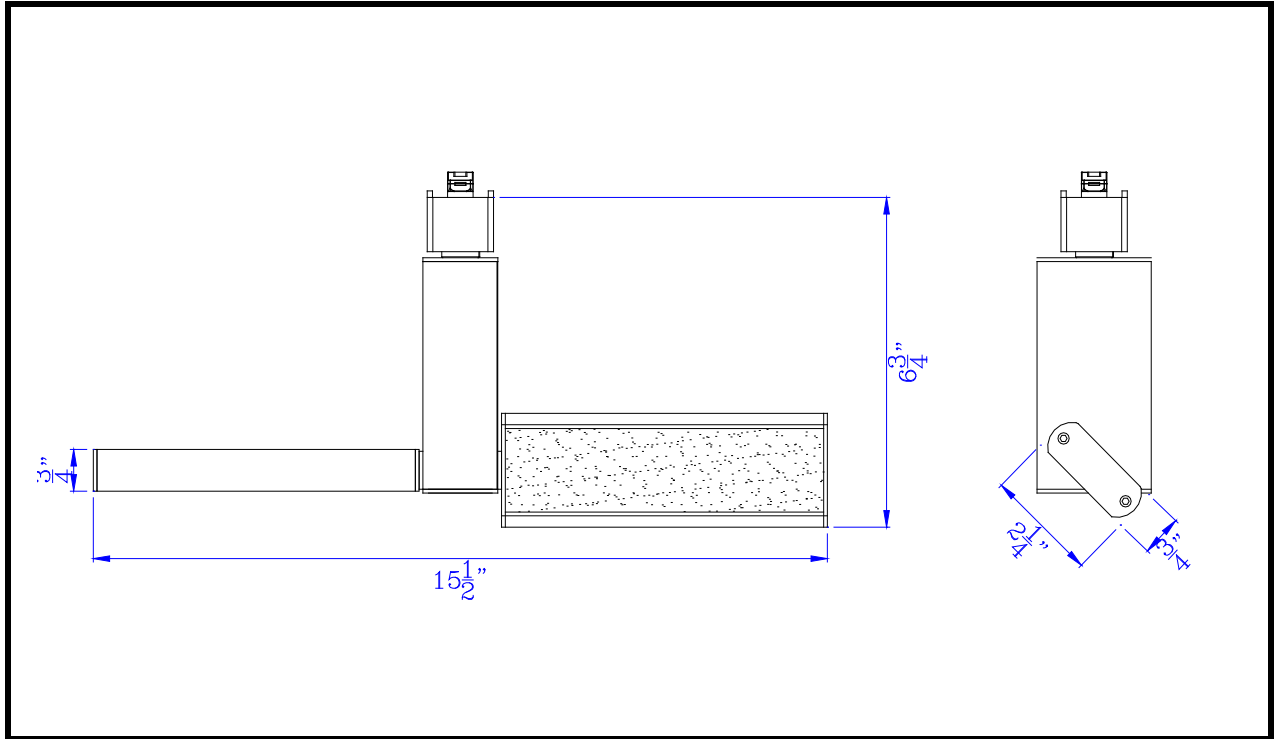
3625 E. Philadelphia St. Ontario CA. 91761 • Tel: 909.947.5200 • Fax:
909.947.5673 • www.calighting.com • service@calighting.com •
Specifications subject to change without notice

Type: _____

Project: _____

Catalog No.: _____

Lamp/Wattage: _____



- Model No. :** HT-634-2
Description: Dimmable Integrated LED Track Fixture
Material: Metal
Finish : Black
Rotation : 355 degree
Capability : +/-90 degree from horizontal
Voltage : 120V
Wattage : 38W
Dimming: Dimmable,DVCL-153P/SCL-153P/AYCL-153P/CTCL-153P/DVCL-253P/
GT-150/GTJ-250M (ALL ARE LUTRON BRAND)
Color Temp: 4000K
Lumen : 2850
CRI : 80
Beam: FLOOD
Efficacy: 75
Rated Life : 30,000 hours
Warranty: Three Years
Certificate :

