

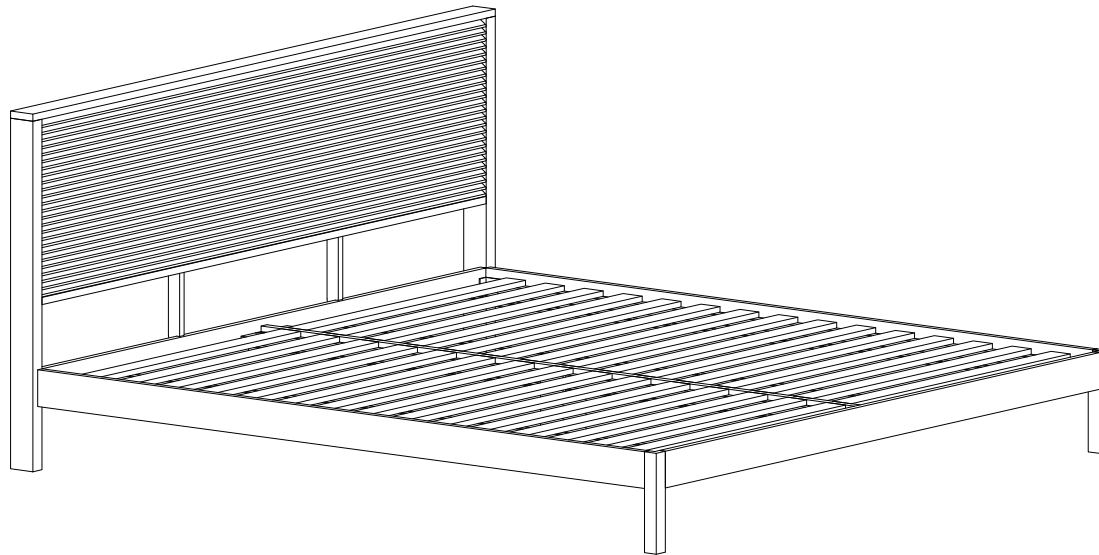
# MOE'S

home collection

## ASSEMBLY INSTRUCTIONS.

TEEDA QUEEN BED NATURAL

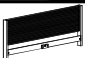





**JD-1078-24-0**









THANK YOU FOR YOUR PURCHASE!

# PARTS AND HARDWARE.

## PARTS LIST

NO.	DESCRIPTION	IMAGE	Q'TY
A	Headboard		1
B	Side rail		2
C	Foot board		1
D	Center Support		1
E	Center Leg		1
F	Slat Set		2

## HARDWARES LIST

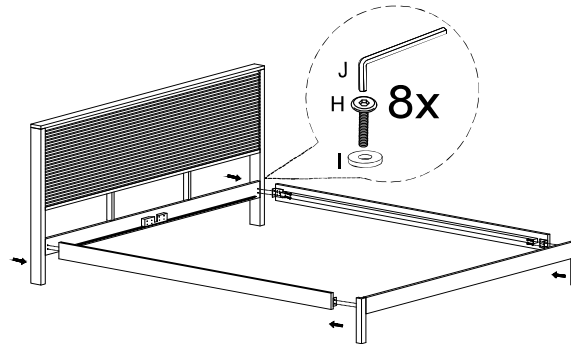
NO.	DESCRIPTION	IMAGE	Q'TY
H	ALLEN BOLT(20x8)MM		8
I	WASHER(8MM)		10
J	ALLEN KEY(5MM)		1
K	ALLEN KEY(6MM)		1
L	ALLEN BOLT(M125X8)		1
M	HEX NUT (8MM)		1

## NOTES.

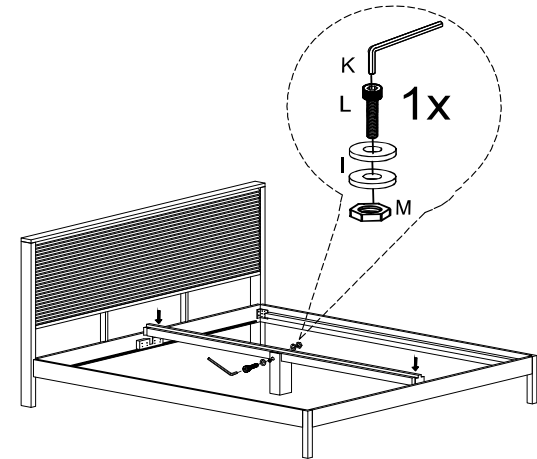
Thank you for purchasing this quality product! Be sure to check all packing material carefully for small part that may have come loose inside the carton during shipping.

**CAUTION:** The item is heavy, assembly should be performed by four people.

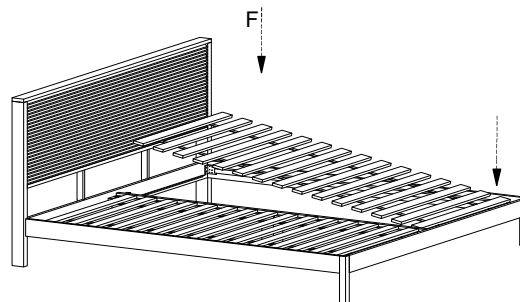
### STEP 1.



### STEP 2.



### STEP 3.



### STEP 4.

