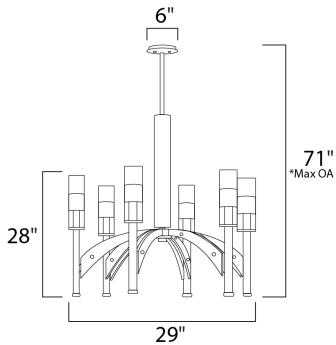




PRODUCT DESCRIPTION

A modern classic created using mixed medium in complimentary finishes that come together to compose a beautiful art form. Available in your choice of Wenge wood with Black and Polished Nickel accents or Antique Pecan wood with Bronze and Satin Brass. Tall Clear glass cylinders with a frosted band complement the scale of the design.



*max overall height

MEASUREMENTS

- DIMENSION : 29" L x 29" W x 28" H
- MAX OAH : 71" OAH
- CANOPY : 6" W x 0.75" H x 6" L
- HANGING WEIGHT : 24.64 lb
- WIRE LENGTH : 120"

LAMPING

- INPUT VOLTAGE : 120V
- LUMENS : 2,940 Rated
- BULB : 6 x 40W Xenon G9 , 240W Total
- BULB INCLUDED : (Included)
- DIMMABLE : Yes

FINISHES OPTION

- Black / Wenge
- Bronze / Antique Pecan

GLASS

Clear CL

MATERIAL

Steel, Wood, Glass

RATINGS

cETLus
Dry Location



ADDITIONAL

ADJUSTABLE
OPERATING TEMPERATURE:
-20°C (-4°F), 40°C (104°F)

Always consult a qualified electrician before installing any lighting product.



WESTERN DISTRIBUTION CENTER (HEADQUARTER)
253 NORTH VINELAND AVE | CITY OF INDUSTRY, CA 91746
EASTERN DISTRIBUTION CENTER
4200 SHIRLEY DR. | ATLANTA, GA 30336
P. 626.956.4200 | F. 626.956.4225 | maximlighting.com