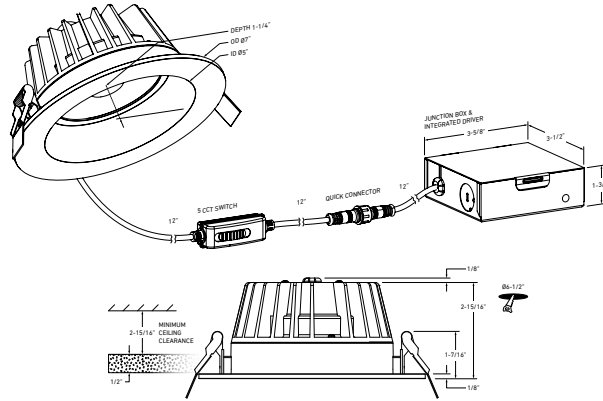


MODEL NAME **RGR6-CC**
RGR SERIES
6-Inch Regressed Downlight

When choosing a recessed fixture, eliminating glare is a priority. The unique positioning of the LED module in this series of downlights will meet that important need.



PROJECT:	TYPE:
DATE:	QTY:
NOTES:	

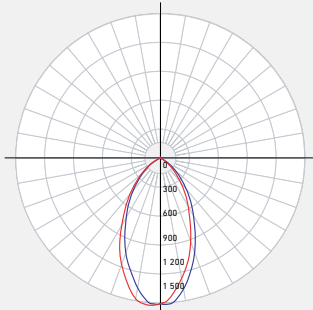


QUICK SPECS

SIZE	WATTS	DELIVERED LUMENS*	COLOR °T 5CCT	CRI	VOLTAGE	BEAM ANGLE	FINISH
6"	20W	1600lm	2700K 3000K 3500K 4000K 5000K	90	120V	40°	<input type="radio"/> White <input type="radio"/> Satin Nickel <input checked="" type="radio"/> Black

*Lumen output measured at 3000K

LIGHT DISTRIBUTION



CONSTRUCTION

Lens Clear	Type of optics Optical lens	Type of LED COB
Lens material Acrylic	Housing material Cast aluminum	Cut hole size 6-1/2"

RATINGS

Placement Indoor/Outdoor	Lifespan 50,000 hrs.	FT rating FT6
Location Wet	Certifications ETL, FCC, ICES, ES IC, ASTM E283-04, T24	Operating temperature -20° to 40° C

WHAT'S IN THE BOX

- LED recessed fixture
- Junction box
- Push-in wire connectors
- Mounting hardware
- Instruction sheet

ACCESSORIES

- RFP-UNI**
Universal Drilling Plate
- RFP-46**
Drilling Plate

ADAPTERS

- REC-EXT108**
108" extension cord for recessed fixtures
- REC-EXT230**
230" extension cord for recessed fixtures



**ELECTRICAL
DETAILS**

Input voltage
108-135V

Output current
500mA

Power factor
99%

Driver type
Constant current

Output voltage
35V

LED model #
COB

**THD harmonic
distortion**
<30%

Binning type
3 SDCM

FEATURES

Every fixture includes a junction box with an integrated driver

Superior LED performance and lifespan

Switch-selectable CCT:
2700K / 3000 K / 3500 K /
4000 K / 5000 K

Can be daisy chained

Smooth 360° wide spread

WARRANTY

DALS offers a 5-year warranty from the date of purchase which covers repairs or replacement of defective parts of the housing, optics, and electronics. To contact DALS customer service call 1-877-430-1818 or send an e-mail to info@dals.com.

RECOMMENDED DIMMER LIST*

BRAND	MODEL #	DIMMER SPECS	GRADE	DIMMING RANGE (%)	MAX LOAD
Dals	SM-DIMSW Smart Dimmer	Triac, 250W LED/CFL	Compatible	Min: 7 / Max: 98	12
Lutron	DVCL-153PR-WH-C	Triac, 150 W Dimmable CFL/LED	Compatible	Min: 1 / Max: 93	7
Lutron	CTCL-153PDH-WH-C	Triac, 150 W Dimmable CFL/LED	Compatible	Min: 0 / Max: 93	7
Lutron	STCL-153PH-WH-C	Triac, 150 W Dimmable CFL/LED	Compatible	Min: 0 / Max: 92	7
Lutron	DVWCL-153PH-WHC	Triac, 150 W Dimmable CFL/LED	Compatible	Min: 0 / Max: 93	7
Lutron	MACL-153MRHW-WHC	Triac, 150 W Dimmable CFL/LED	Compatible	Min: 0 / Max: 92	7
Lutron	DVELV-300P-WH	300W electronic low voltage dimmer	Compatible	Min: 1 / Max: 79	15
Lutron	MA-PRO-WH	ELV, 250W LED/CFL	Compatible	Min: 1 / Max: 93	12
Lutron	Caseta PD-6WCL-WH-R-C	Triac, 300W Dimmable CFL/LED	Compatible	Min: 0 / Max: 92	15
Lutron	Caseta PD-5NE-WH-C	ELV, LED—up to 250 W	Compatible	Min: 1 / Max: 93	12
Lutron	Caseta PD-10NXD-WH	Triac, LED—up to 250 W	Compatible	Min: 0 / Max: 93	12
Leviton	6672-1LW	Triac, 150W Dimmable CFL/LED	Compatible	Min: 13 / Max: 93	7
Leviton	DSM10	Triac, 450W Dimmable CFL/LED	Compatible	Min: 10 / Max: 93	22
Leviton	6674	Triac, 150 W Dimmable CFL/LED	Compatible	Min: 1 / Max: 98	7
Legrand	RHCL453PNICCV4	Triac, 450W Dimmable CFL/LED	Compatible	Min: 3 / Max: 92	22
Legrand	ADTP703TUM4	Triac,450W Dimmable CFL/LED	Compatible	Min: 5 / Max: 77	22
Legrand	ADPD453LM2	Triac,450W Dimmable CFL/LED	Compatible	Min: 18 / Max: 92	22
Legrand	RHL373PW	Triac, 250W LED	Compatible	Min: 1 / Max: 93	12
Control 4	C4-APD120-WH	ELV, 120W LED	Compatible	Min: 0 / Max: 99	6
Control 4	C4-FPD120-WH	Triac, 200W LED	Compatible	Min: 0 / Max: 99	10

* Minimal buzzing noise may occur with some dimmers