

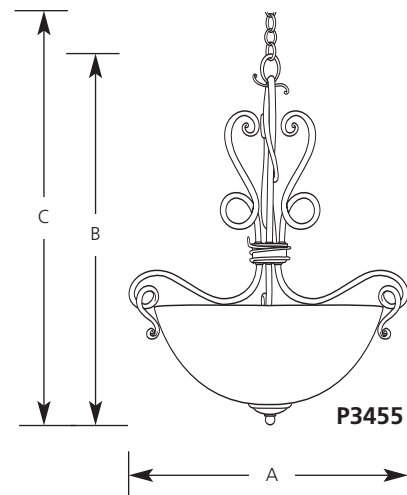
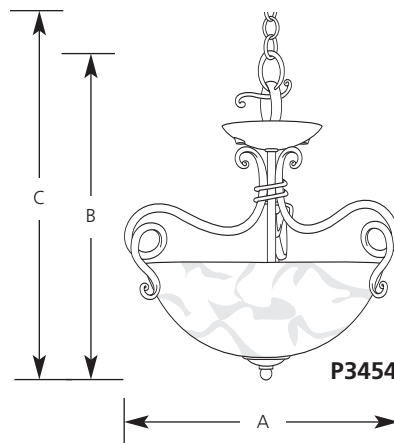
Type _____

-80

3454

3455

Catalog No.	Finish	Lamping	Dimensions (Inches)		
	Forged Black		A	B	C
P3454	-80	2 (m) 75w	16-1/4	17-1/4	93
P3455	-80	3 (m) 100w	23-1/4	28-1/4	103



Specifications:

General

- Etruscan stone glass inverted bowl
- Scrolled metalwork intertwined
- Painted finish
- Steel Construction
- Companion chandeliers, wall bracket, close to ceiling, and bath and vanity units

Mounting

- Ceiling chain mounted. P3454 can also be direct ceiling mounted (semi-flush style)
- Canopy covers a standard 4" hexagonal outlet box
- Mounting strap for outlet box included

Electrical

- Ceramic medium based sockets
- 15 feet of wire supplied
- Pre-wired

Labeling

- UL-CUL listed