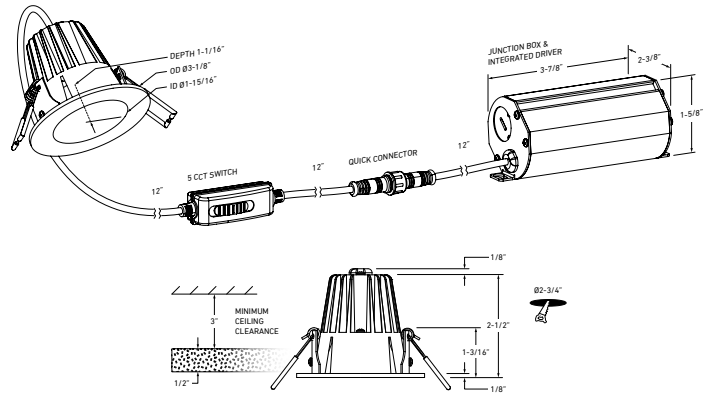


MODEL NAME **RGR2-CC**
RGR SERIES
2-Inch Regressed Downlight

When choosing a recessed fixture, eliminating glare is a priority. The unique positioning of the LED module in this series of downlights will meet that important need.



| | |
|-----------------|--------------|
| PROJECT: | TYPE: |
| DATE: | QTY: |
| NOTES: | |

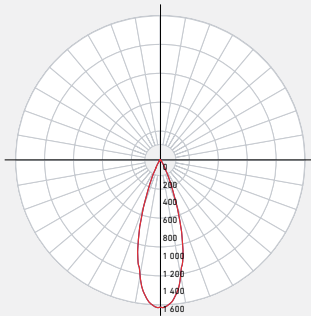


QUICK SPECS

| SIZE | WATTS | DELIVERED LUMENS* | COLOR °T 5CCT | CRI | VOLTAGE | BEAM ANGLE | FINISH |
|------|-------|-------------------|-------------------------------------------|-----|---------|------------|--------------------------------------------------------------------------------------------------|
| 2" | 8W | 600lm | 2700K 3000K 3500K 4000K 5000K | 90 | 120V | 40° | <input type="radio"/> White <input type="radio"/> Satin Nickel <input type="radio"/> Black |

*Lumen output measured at 3000K

LIGHT DISTRIBUTION



WHAT'S IN THE BOX

- LED recessed fixture
- Junction box
- Push-in wire connectors
- Mounting hardware
- Instruction sheet

CONSTRUCTION

| | | |
|---------------------------------|------------------------------------------|--------------------------------|
| Lens Clear | Type of optics Optical lens | Type of LED COB |
| Lens material Acrylic | Housing material Cast aluminum | Cut hole size 2-3/4" |

RATINGS

| | | |
|------------------------------------|----------------------------------------------------------------------|-----------------------------------------------|
| Placement Indoor/Outdoor | Lifespan 50,000 hrs. | FT rating FT6 |
| Location Wet | Certifications ETL, FCC, ICES, ES IC, ASTM E283-04, T24 | Operating temperature -20° to 40° C |

ACCESSORIES

- RFP-UNI**
Universal Drilling Plate
- RFP-23**
Drilling Plate

ADAPTERS

- REC-EXT108**
108" extension cord for recessed fixtures
- REC-EXT230**
230" extension cord for recessed fixtures



**ELECTRICAL
DETAILS**

Input voltage
100-135V

Output current
300mA

Power factor
97%

Driver type
Constant current

Output voltage
21V

LED model #
COB

**THD harmonic
distortion**
<30%

Binning type
3 SDCM

FEATURES

Every fixture includes a junction box with an integrated driver

Superior LED performance and lifespan

Switch-selectable CCT:
2700K/ 3000 K/ 3500 K/
4000 K/ 5000 K

Can be daisy chained

Smooth 360° wide spread

WARRANTY

DALS offers a 5-year warranty from the date of purchase which covers repairs or replacement of defective parts of the housing, optics, and electronics. To contact DALS customer service call 1-877-430-1818 or send an e-mail to info@dals.com.

RECOMMENDED DIMMER LIST*

| BRAND | MODEL # | DIMMER SPECS | GRADE | DIMMING RANGE (%) | MAX LOAD |
|-----------|-----------------------|------------------------------------|------------|--------------------|----------|
| Dals | SM-DIMSW Smart Dimmer | Triac, 250W LED/CFL | Compatible | Min: 9 / Max: 100 | 31 |
| Lutron | DVCL-153PR-WH-C | Triac, 150 W Dimmable CFL/LED | Compatible | Min: 10 / Max: 100 | 18 |
| Lutron | CTCL-153PDH-WH-C | Triac, 150 W Dimmable CFL/LED | Compatible | Min: 10 / Max: 100 | 18 |
| Lutron | STCL-153PH-WH-C | Triac, 150 W Dimmable CFL/LED | Compatible | Min: 3 / Max: 100 | 18 |
| Lutron | DVWCL-153PH-WHC | Triac, 150 W Dimmable CFL/LED | Compatible | Min: 10 / Max: 100 | 18 |
| Lutron | MACL-153MRHW-WHC | Triac, 150 W Dimmable CFL/LED | Compatible | Min: 2 / Max: 100 | 18 |
| Lutron | DVELV-300P-WH | 300W electronic low voltage dimmer | Compatible | Min: 11 / Max: 100 | 37 |
| Lutron | MA-PRO-WH | ELV, 250W LED/CFL | Compatible | Min: 2 / Max: 100 | 31 |
| Lutron | Caseta PD-6WCL-WH-R-C | Triac, 300W Dimmable CFL/LED | Compatible | Min: 6 / Max: 100 | 37 |
| Lutron | Caseta PD-5NE-WH-C | ELV, LED—up to 250 W | Compatible | Min: 5 / Max: 100 | 31 |
| Lutron | Caseta PD-10NXD-WH | Triac, LED—up to 250 W | Compatible | Min: 2 / Max: 100 | 31 |
| Leviton | 6672-1LW | Triac, 150W Dimmable CFL/LED | Compatible | Min: 26 / Max: 100 | 18 |
| Leviton | DSM10 | Triac, 450W Dimmable CFL/LED | Compatible | Min: 24 / Max: 100 | 56 |
| Leviton | 6674 | Triac, 150 W Dimmable CFL/LED | Compatible | Min: 18 / Max: 100 | 18 |
| Leviton | IPL06-10Z | Triac, 150 W Dimmable CFL/LED | Compatible | Min: 27 / Max: 100 | 18 |
| Leviton | DSL06-752 | Triac, 150 W Dimmable CFL/LED | Compatible | Min: 26 / Max: 100 | 18 |
| Leviton | D26HD-742-1RW | Triac, 300W LED/CFL | Compatible | Min: 14 / Max: 100 | 37 |
| Legrand | RHCL453PNICCV4 | Triac, 450W Dimmable CFL/LED | Compatible | Min: 14 / Max: 100 | 56 |
| Legrand | ADTP703TUM4 | Triac, 450W Dimmable CFL/LED | Compatible | Min: 16 / Max: 100 | 56 |
| Legrand | ADPD453LM2 | Triac, 450W Dimmable CFL/LED | Compatible | Min: 47 / Max: 100 | 56 |
| Legrand | RHL373PW | Triac, 250W LED | Compatible | Min: 11 / Max: 100 | 31 |
| Control 4 | C4-APD120-WH | ELV, 120W LED | Compatible | Min: 0 / Max: 100 | 15 |

* Minimal buzzing noise may occur with some dimmers