

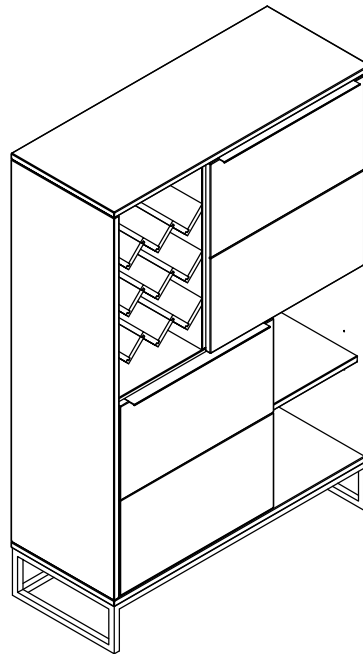
MOE'S

home collection

ASSEMBLY INSTRUCTIONS.

NEVADA BAR CABINET

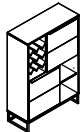
UR-1002-03



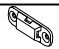





THANK YOU FOR YOUR PURCHASE!

PARTS AND HARDWARE.

PARTS LIST

NO.	DESCRIPTION	IMAGE	Q'TY
P1	NEVADA BAR CABINET		1

HARDWARE LIST

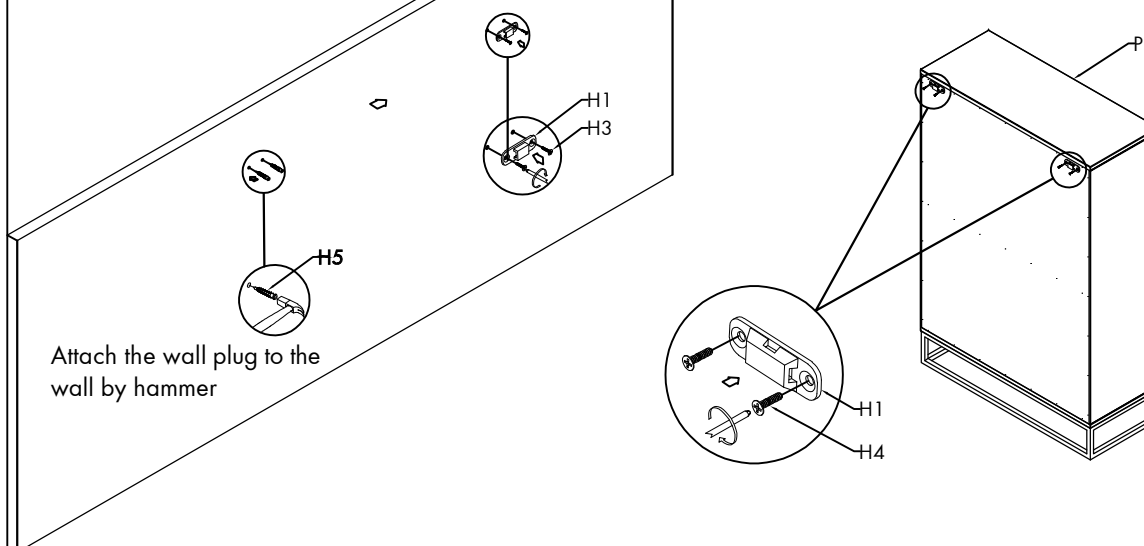
NO.	DESCRIPTION	IMAGE	Q'TY
H1	PLASTIC BRACKET		4
H2	NYLON STRAP		2
H3	LONG SCREW M4x50		4
H4	SHORT SCREW M4x20		4
H5	WALL PLUG M4		4
H6	SCREW DRIVER		NOT PROVIDE

NOTES.

Thank you for purchasing this quality product! Be sure to check all packing material carefully for small part that may have come loose inside the carton during shipping.

CAUTION: The item is heavy, assembly should be performed by two people.

STEP 1.



STEP 2.

