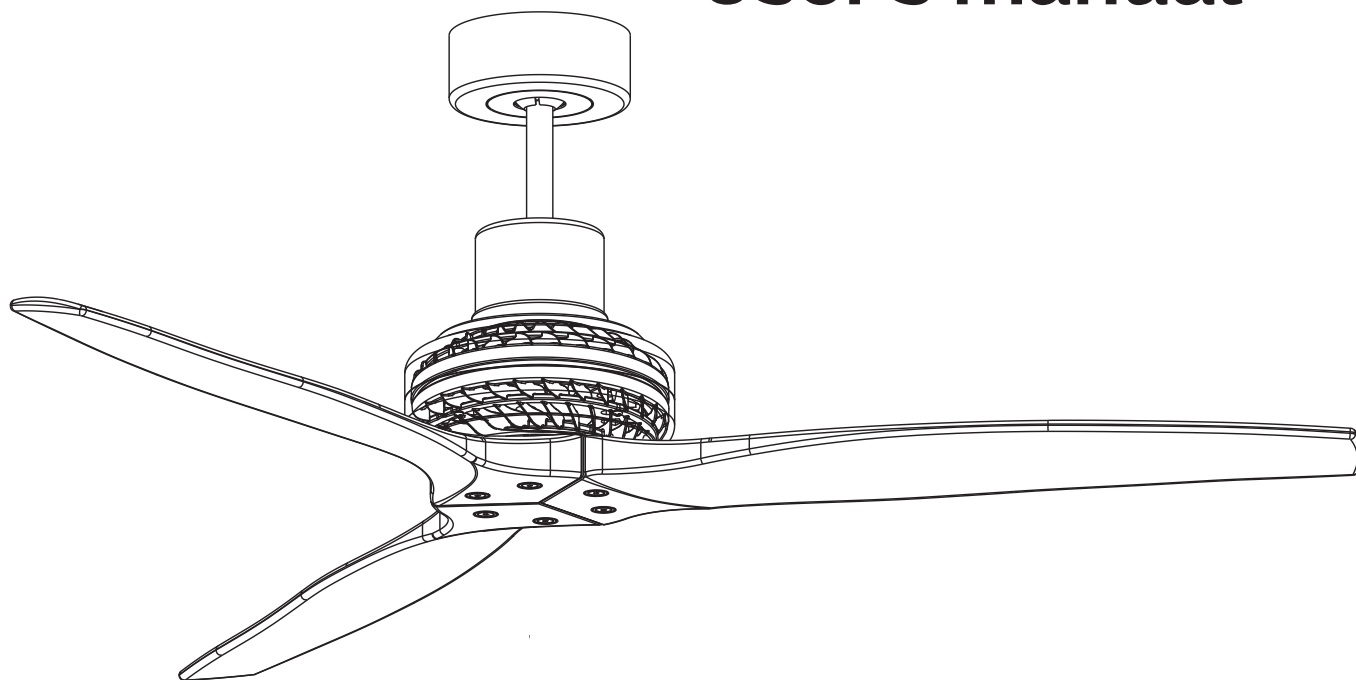


STAR FANS

# STAR PROPELLER

## User's manual



Net weight

KGS.

LBS.

**WARNING :** Read and follow these instructions carefully and be mindful of all warnings shown throughout.

# READ AND SAVE THESE INSTRUCTIONS

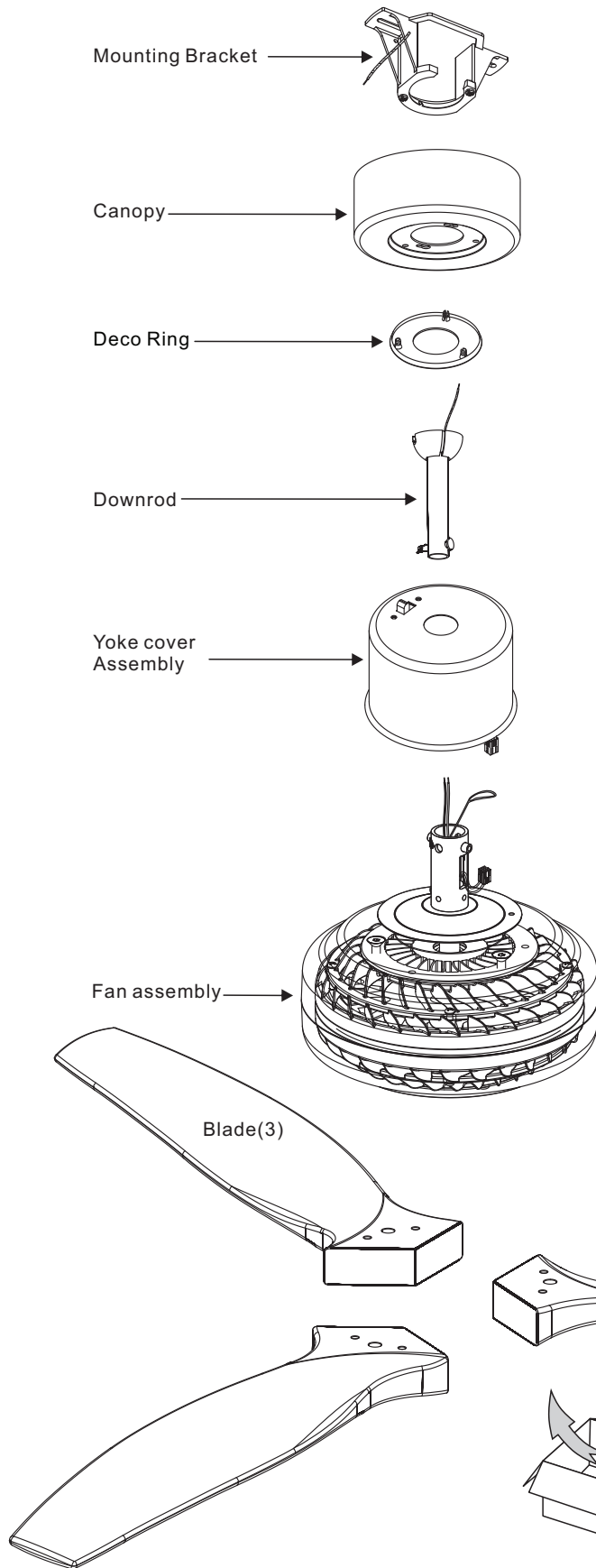
**WARNING : TO REDUCE THE RISK OF FIRE, ELECTRICAL SHOCK, OR INJURYS, PLEASE OBSERVE THE FOLLOWING :**

- 1]. To ensure the success of the installation, be sure to read the instructions and review the diagrams thoroughly before beginning.
- 2]. To avoid possible electric shock, be sure electricity is turned off at the main power box before wiring. All electrical connections must be made in accordance with local codes, ordinances and/or the National Electric Code. If you are unfamiliar with the methods of installing electrical wiring and products, secure the services of a qualified and licensed electrician as well as someone who can check the strength of the supportive ceiling members and make the proper installations and connections.
- 3]. Make sure that your installation site will not allow rotating fan blades to come in contact with any object. Blades should be at least 7 feet from the floor when the fan is in operation.
- 4]. If possible, mount ceiling fan on a ceiling joist - the joist must be able to support the motion and weight of the moving fan. If the fan will be mounted on a ceiling outlet box, make sure it will support at least 50 lbs. The box and its supporting members must not be able to twist or work loose. **DO NOT USE PLASTIC BOXES.** Installation on a concrete ceiling should be performed by qualified personnel.
- 5]. Fan motor housing should be kept in carton until ready to be installed to protect its finish. If you are installing more than one ceiling fan, make sure that you do not mix fan blade sets.
- 6]. After making electrical connections, spliced conductors should be turned upward and pushed carefully up into outlet box. The wires should be spread apart with the grounded conductor and the equipment - grounding conductor on one side of the outlet box and the " HOT " wires on the other side.
- 7]. Electrical diagrams with various different colors are for reference only. Make sure that the fan voltage (120) is compatible with your own electrical system.
- 8]. After fan is completely installed, check to make sure that all connections are secure to prevent fan from falling and/or causing damage or injury.
- 9]. The fan must be turned off and stopped before reversing fan direction.
- 10]. This fan is suitable for damp location.

**"WARNING": "To Reduce The Risk Of Fire, Electric Shock, Or Personal Injury, Mount To Outlet Box Marked Acceptable for Fan Support of 15.9 kg (35 lbs) or less And Use Mounting Screws Provided With The Outlet Box."**



# Unpack and inspect fan carefully to be certain all contents are included.



## Hardware Bag

### For Mounting Bracket:

Flat Washer	x3			
Spring Washer	x3			
Machine Screw	x2			
Wood Screw	x3 (For Wood beam)			

### For Wire Connection:

Wire Nut x 3			
--------------	--	--	--

### For Blade Installation:

Plastic Bushing x 7 (one spare bushing included)							
Blade Screw x 7 (one spare screw included)							
L type small screw driver (hexagon)							

### For Blade Balance :

Balanced slide x 1					
Weight block (3G x 5)					

## Wall Control



### Hardware Bag

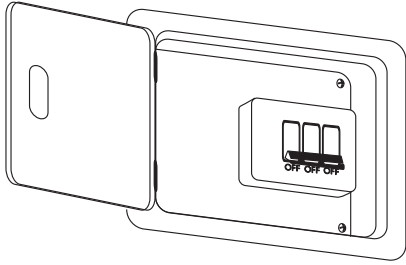
Wood Screw x 2		
Screw x 2		
Wire Nut x 2		

Unit pack / all in one box

## WARNING: blades should be at least 7 feet from floor

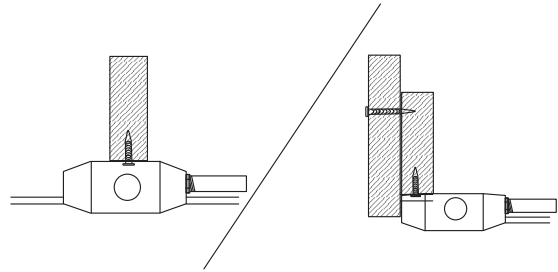
### Note 1:

Turn off power at breaker box to avoid possible electrical shock.



### Note 2:

Use metal outlet box suitable for fan support. Outlet box must support 35 lbs min.

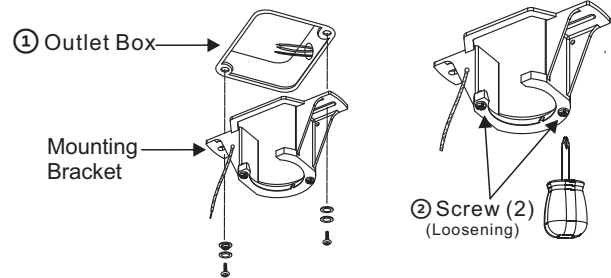


## 1. HANGING SYSTEM INSTALLATION

### 1A. Installing mounting bracket to ceiling outlet box

① Install mounting bracket to outlet box in ceiling by using screws included with the outlet box and washers from the hardware bag.

② Loosen the bottom screws from Mounting Bracket. **Do not remove.**



### 1B. Installing Downrod and Yoke

#### See Fig.1

① Remove cross pin and cotter pin from downrod.

#### See Fig.2

② Insert downrod through Canopy, Deco Ring and Yoke Cover and feed motor lead wires through Downrod.

③ Loosen 1 Downrod jam screws at Yoke. Insert Downrod Assembly into Yoke.

#### See Fig.3

④ Insert the cross pin through Yoke & Downrod and secure with cotter pin.

⑤ Tighten Downrod jam screws to further secure Downrod.

⑥ Attach Wire Connectors from Yoke Cover Assembly and from fan to tight.

⑦ Pull down the Yoke Cover Assembly.

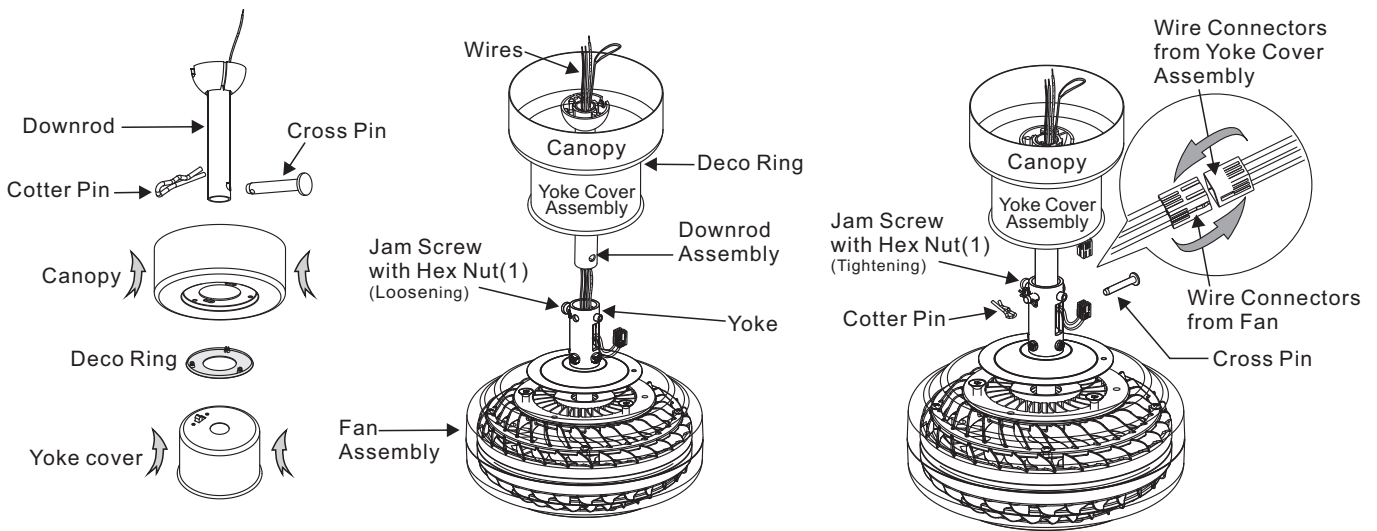


Fig.1

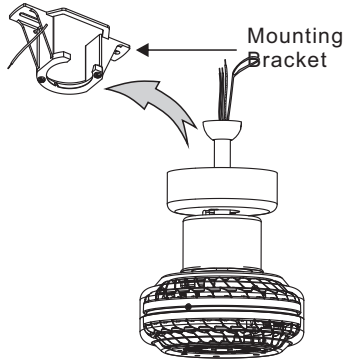
Fig.2

Fig.3

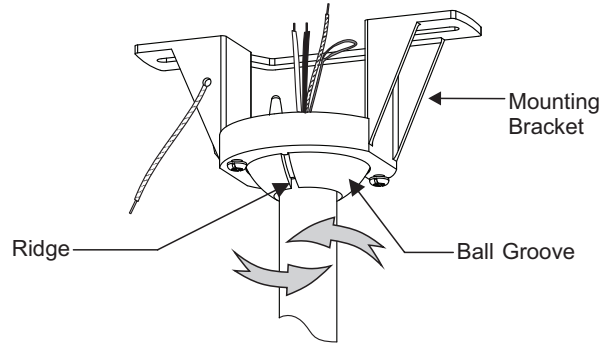


## 1C. Hanging the fan

Lift fan assembly onto Mounting Bracket.



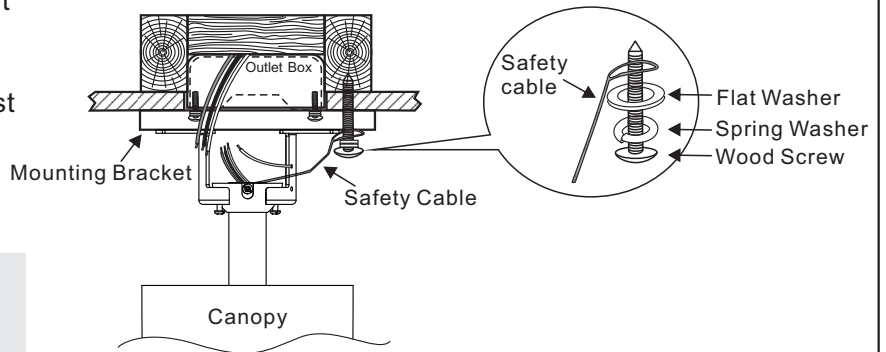
Rotate fan to let the groove on the ball engages the ridge in the Mounting Bracket.



## 2. WIRE CONNECTION

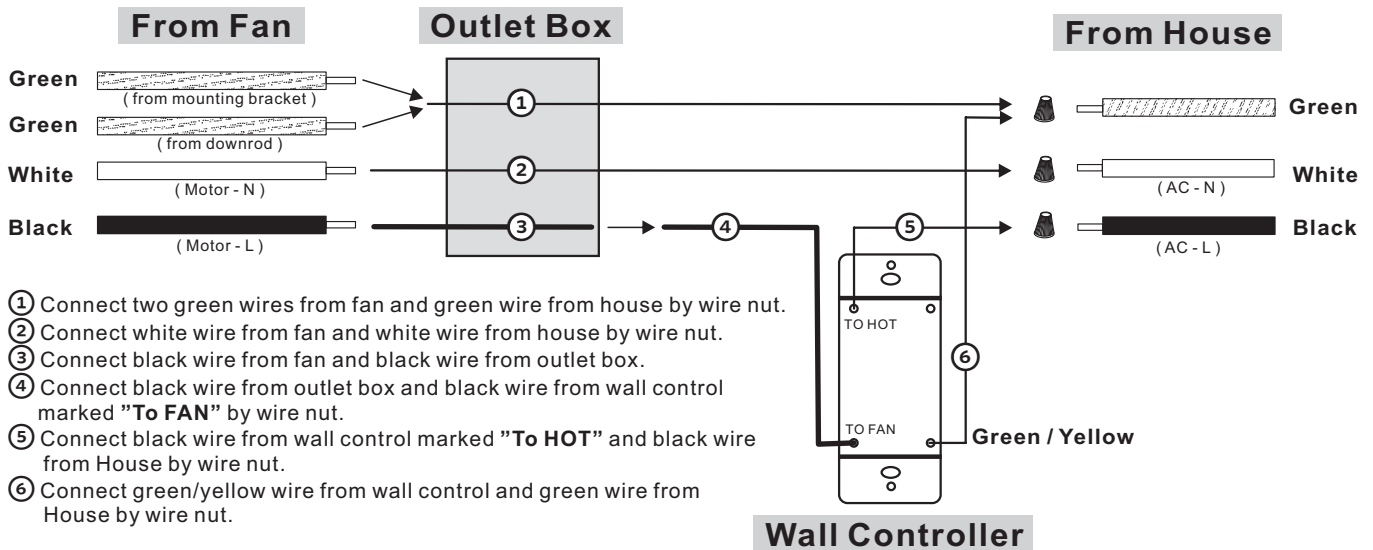
### 2A. Attaching safety cable to ceiling joist

Use wood screw, spring washer, and flat washer from hardware bag. Pass wood screw through closed loop of safety cable. Secure wood screw to ceiling joist through any available slot on mounting bracket. Make sure safety cable has been tightened securely.



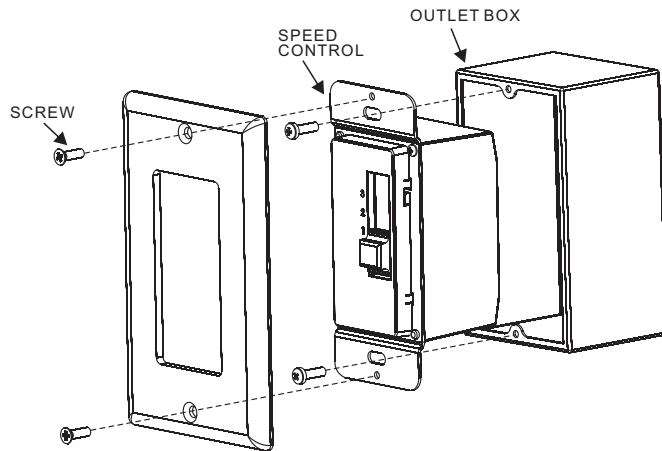
**CAUTION: THE WOOD SCREW AND ITS SUPPORT MUST BE ABLE TO FULLY SUPPORT THE WEIGHT OF AT LEAST 100 LBS.**

### 2B. Make wire connection - for Wall Controller



**AFTER ALL WIRES ARE CONNECTED:**

- ( 1 ) Attach wall control unit to outlet box using the two 6-32 screws provided.
- ( 2 ) Attach wall plate to the switch control front.



**⚠ WARNING**

To avoid possible fire or shock, make sure that the electrical wires are completely inside the outlet box and not pinched between the wall plate and the wall.

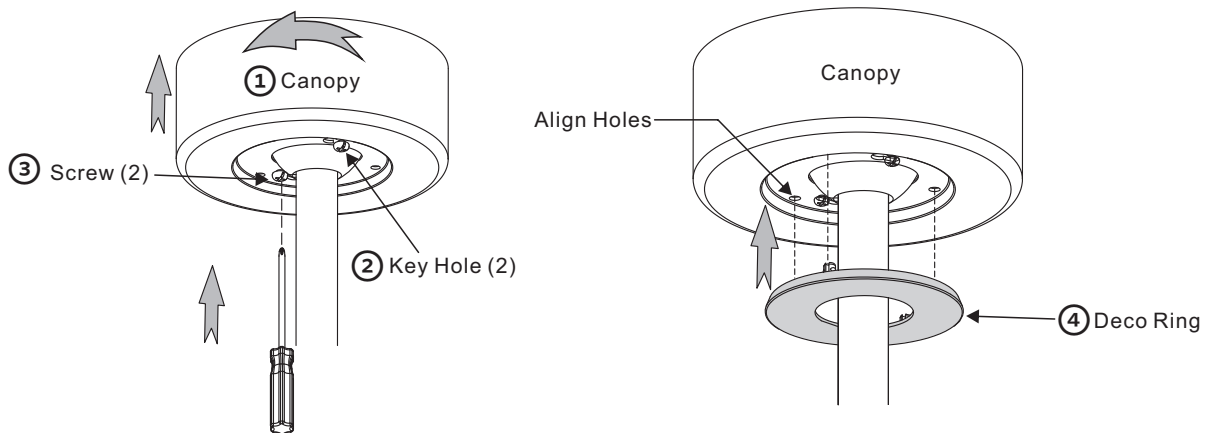
**⚠ WARNING**

Check to see that all connections are tight, including ground, and that no bare wire is visible at the wire connectors, except for the ground wire. Do not operate fan until the blades are in place. Noise and fan damage could result.

### 3. CANOPY INSTALLATION

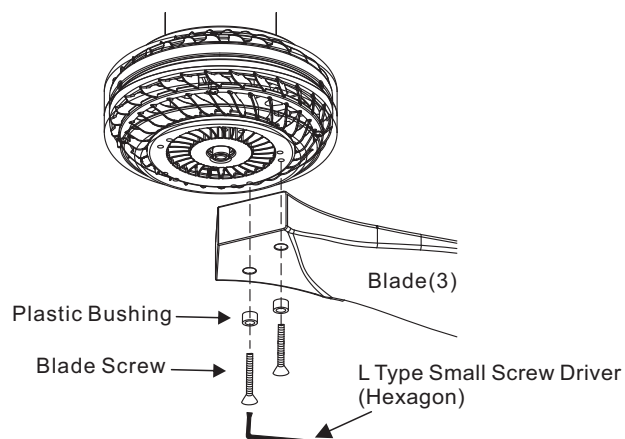
**Note:** Two screws are pre-screwed on Mounting Bracket for Canopy installation.

- ① Push up canopy until two pre-screwed screws on Mounting Bracket are engaged with two key holes on Canopy.
- ② Rotate Canopy slightly until two pre-screwed screws heads are engaged in the narrow end of key holes.
- ③ Tighten both screws.
- ④ Push Deco Ring up to Canopy, align holes on Canopy with ribs on Deco Ring, and push “snap-in”.

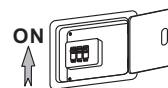


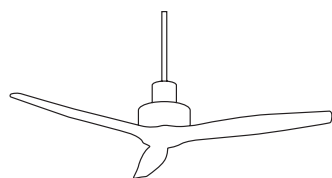
## 4. BLADE INSTALLATION

Attach blades to motor by using Plastic Bushing & Blade screws provided in the hardware bag.  
(\* Repeat this step for every blade until the 3 blades are installed firmly. Do not tighten the screws too hard to prevent harming the wood.)



5. Turn on power at breaker box, Your fan is ready for operation.





STAR FANS

**[info@starfans.co](mailto:info@starfans.co)**  
**[www.starfans.co](http://www.starfans.co)**