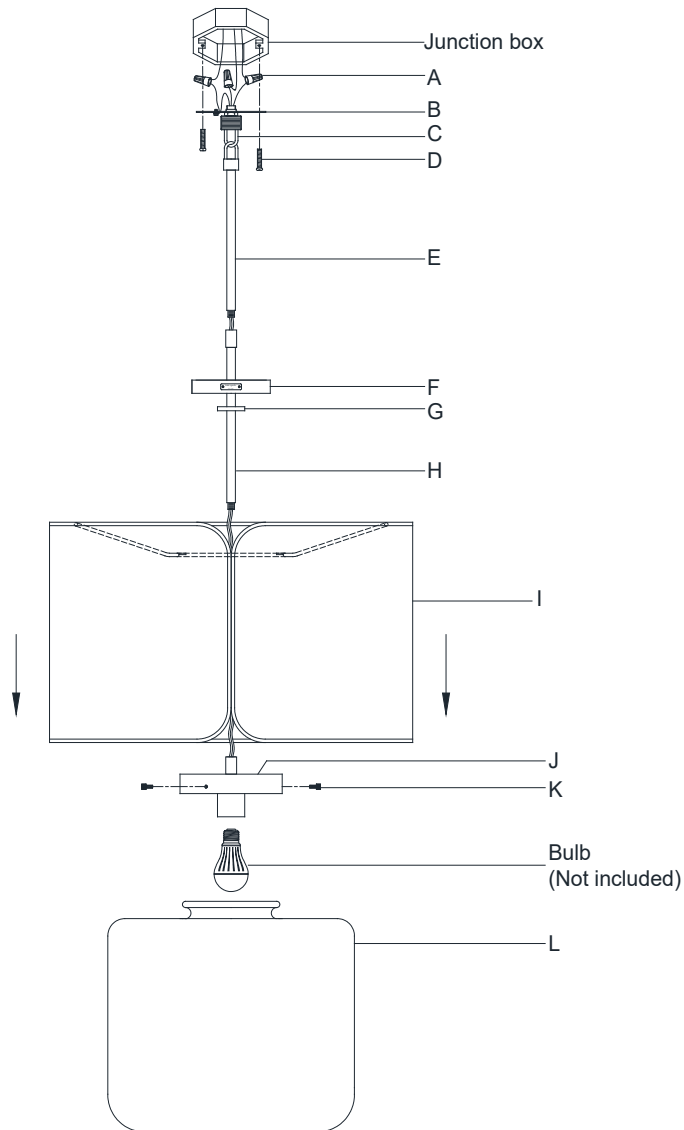


ASSEMBLY INSTRUCTIONS



Darlana Medium Wide Hanging Lantern

Item# KS 5081

WE RECOMMEND INSTALLATION OF THIS LIGHTING FIXTURE BE DONE BY A LICENSED ELECTRICIAN.

WARNING*SWITCH OFF THE MAIN ELECTRICAL SUPPLY FROM THE MAIN FUSE BOX/CIRCUIT BREAKER BEFORE INSTALLATION.**

INSPECT ITEM CAREFULLY BEFORE ATTEMPTING TO INSTALL. IF THERE IS ANY DAMAGE OR OBVIOUS DEFECT. DO NOT INSTALL.

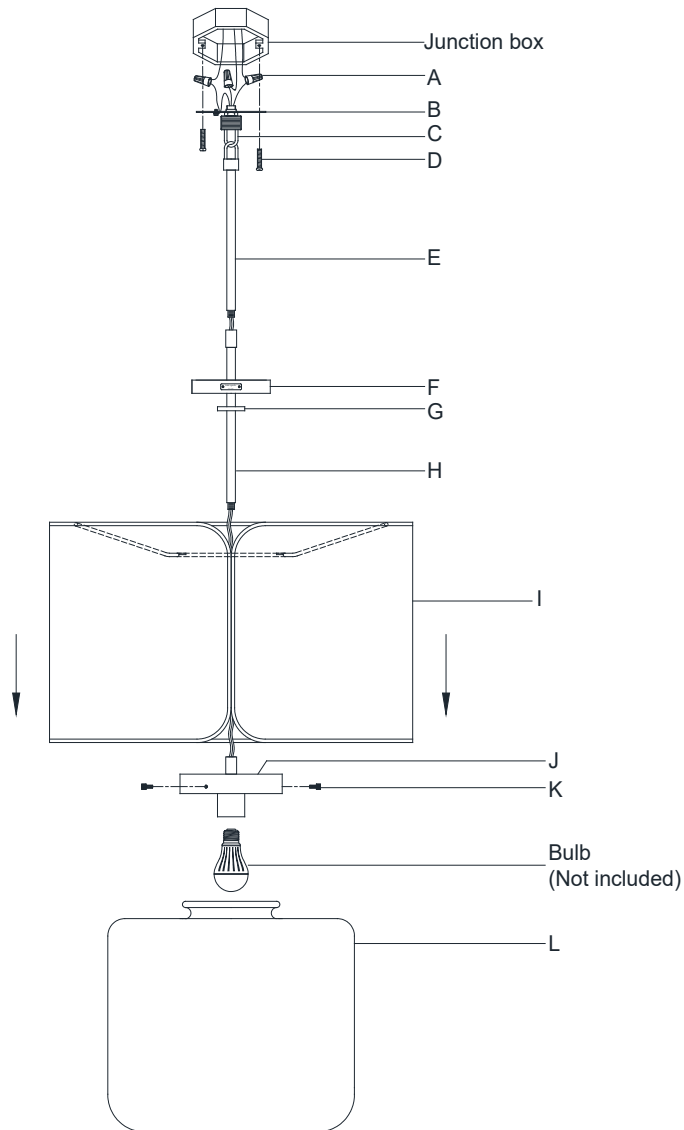
ITEM MAY NOT BE RETURNED ONCE IT HAS BEEN INSTALLED.

NOTE: CAREFULLY UNPACK EACH PIECE IN TOP LAYER OF PACKING PRIOR TO REMOVING. RETAIN ALL PACKING MATERIAL UNTIL INSPECTION AND INSTALLATION ARE FINAL.

1. Carefully remove all parts from the box.
2. Put the linen shade (I) on the top of the metal plate (J).
3. Feed the fixture wires through the rod (H) and rod (E), then thread the rod (H) to the top of the metal plate (J) and thread the rod (E) to the rod (H).
4. Loosen the collar ring (G) and let the canopy (F) slip down the rod carefully.
5. Install the mounting plate (B) and collar loop (C) to the junction box with mounting screws (D) provided. Using a wrench (not provided) secure the mounting plate (B) and collar loop (C) to the threaded nipple using provided hex nuts.
6. Measure the wires then cut, be certain to leave enough length to connect the wires in the junction box.
7. Strip the insulation on the fixture wires about 5/8".
8. Twist the fixture wires together and push through the center hole of the collar loop (C).
9. Wrap the fixture ground wire to the green ground screw on the mounting plate (B) and secure, then connect to the ground wire in the junction box using the wire nut (A).
IT IS IMPERATIVE THAT THIS FIXTURE BE GROUNDED.
10. Connect the fixture white wire to the neutral wire in the junction box using the wire nut (A).
11. Connect the fixture black wire to the hot wire in the junction box using the wire nut (A).
DO NOT REVERSE THE HOT AND NEUTRAL CONNECTIONS OTHERWISE SAFETY WILL BE COMPROMISED.



ASSEMBLY INSTRUCTIONS



Darlana Medium Wide Hanging Lantern

Item# KS 5081

WE RECOMMEND INSTALLATION OF THIS LIGHTING FIXTURE BE DONE BY A LICENSED ELECTRICIAN.

WARNING*SWITCH OFF THE MAIN ELECTRICAL SUPPLY FROM THE MAIN FUSE BOX/CIRCUIT BREAKER BEFORE INSTALLATION.**

INSPECT ITEM CAREFULLY BEFORE ATTEMPTING TO INSTALL. IF THERE IS ANY DAMAGE OR OBVIOUS DEFECT. DO NOT INSTALL.

ITEM MAY NOT BE RETURNED ONCE IT HAS BEEN INSTALLED.

NOTE: CAREFULLY UNPACK EACH PIECE IN TOP LAYER OF PACKING PRIOR TO REMOVING. RETAIN ALL PACKING MATERIAL UNTIL INSPECTION AND INSTALLATION ARE FINAL.

- Carefully tuck the wire connections into the junction box.
- Install the canopy (F) to collar loop (C) and secure with collar ring (G).
- Insert bulb (not included) into the socket.
- Raise the linen shade (I), then attach the glass shade (L) to the metal plate (J) and secure with the thumbscrews (K), then slide down the linen shade (I).
DO NOT OVER-TIGHTEN THUMBSCREWS, OTHERWISE GLASS COULD BECOME DAMAGED.
- Installation is complete, turn on power at fuse or circuit breaker.

***Clean with a dry, soft cloth only. Use no harsh abrasives or chemical agents.