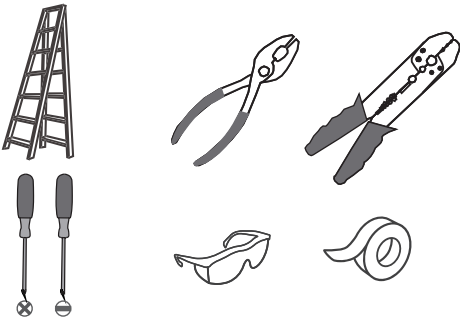
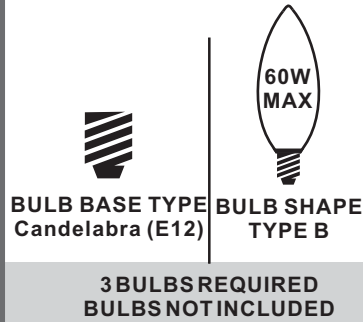


Tools Required



Light Source



Warnings and Cautions

Turn off the electricity at the circuit breaker before installation. Consult a licensed electrician if in doubt about installation.

Turn off power to the fixture and allow the bulbs to cool before replacing.

Package Contents

Preparation: Identify and inspect all parts before beginning the installation.

Missing or damaged parts? Contact your original place of purchase.

PARTS BAG

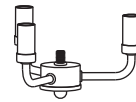
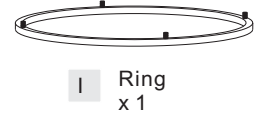
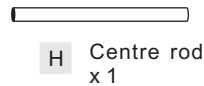
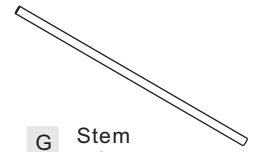
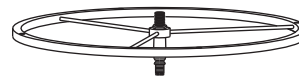
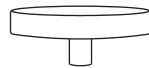
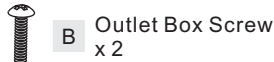
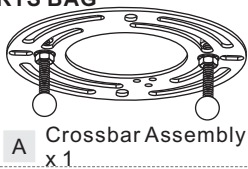
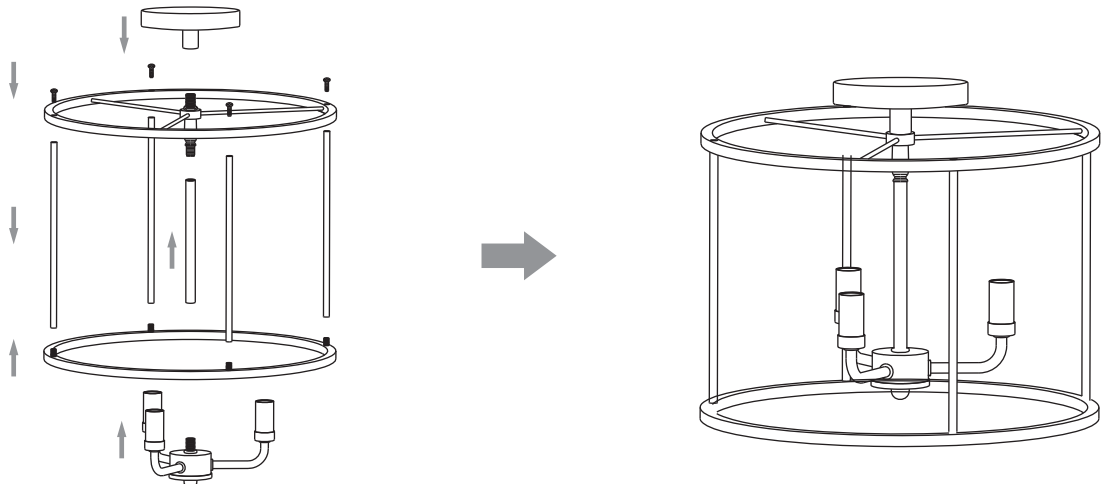


Table of Contents

Socket Assembly	Crossbar Assembly	Wiring	Ceiling Canopy	Bulb
STEP 1	STEP 2	STEP 3	STEP 4	STEP 5

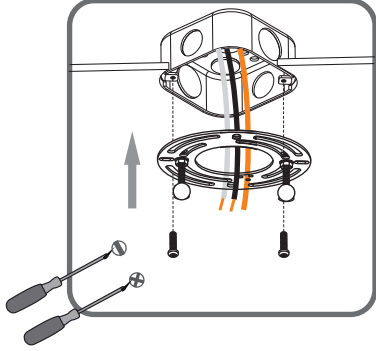
STEP 1



STEP 2

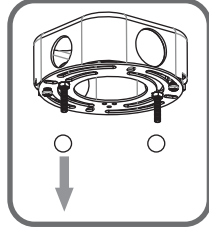
1

Step 1
Install crossbar assembly

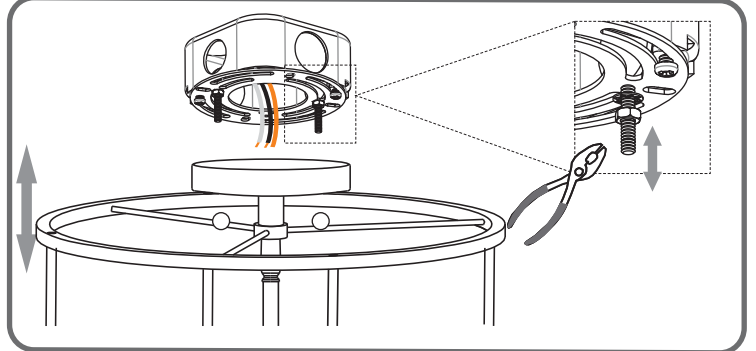


2

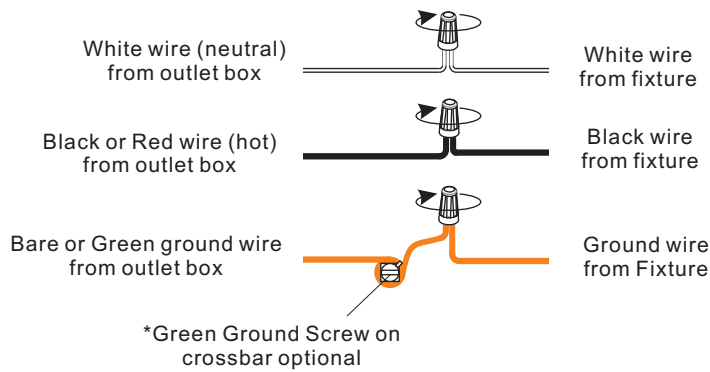
Step 2 - 3
Test fitting ceiling canopy to
mounting screws



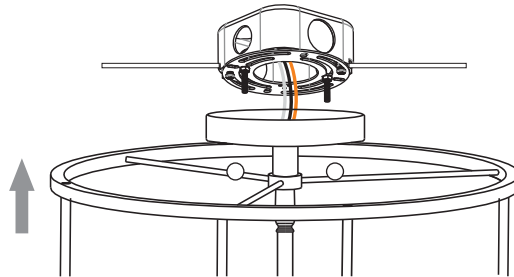
3



STEP 3



STEP 4



STEP 5

