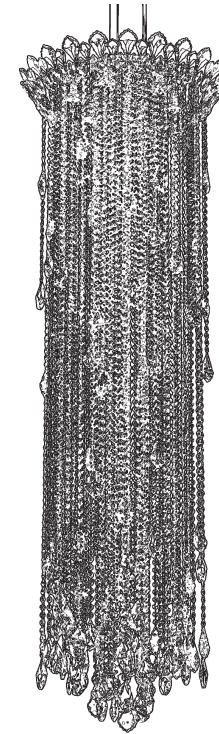




**SCHONBEK®**

**TRILLIANE STRANDS**  
**TR2413N- \_\_ \_\_ H**



**T**HIS DESIGN IS THE PROPRIETARY  
TRADE DRESS/TRADE MARK OF  
SWAROVSKI LIGHTING, LTD.

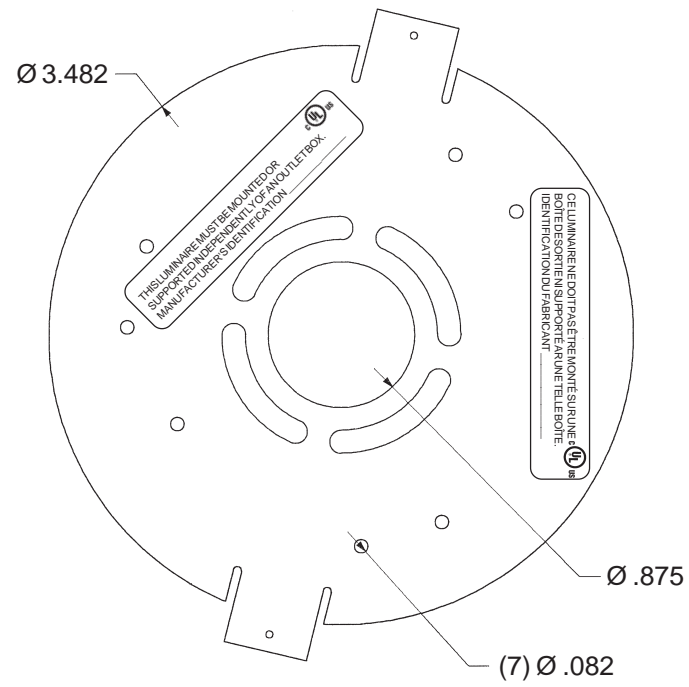
6 Lights  
Diameter: 24"  
Height: 70-1/2"  
Hanging Weight: 57lbs.



**SCHONBEK®**

MAX <u>50</u> W		110-120 V						

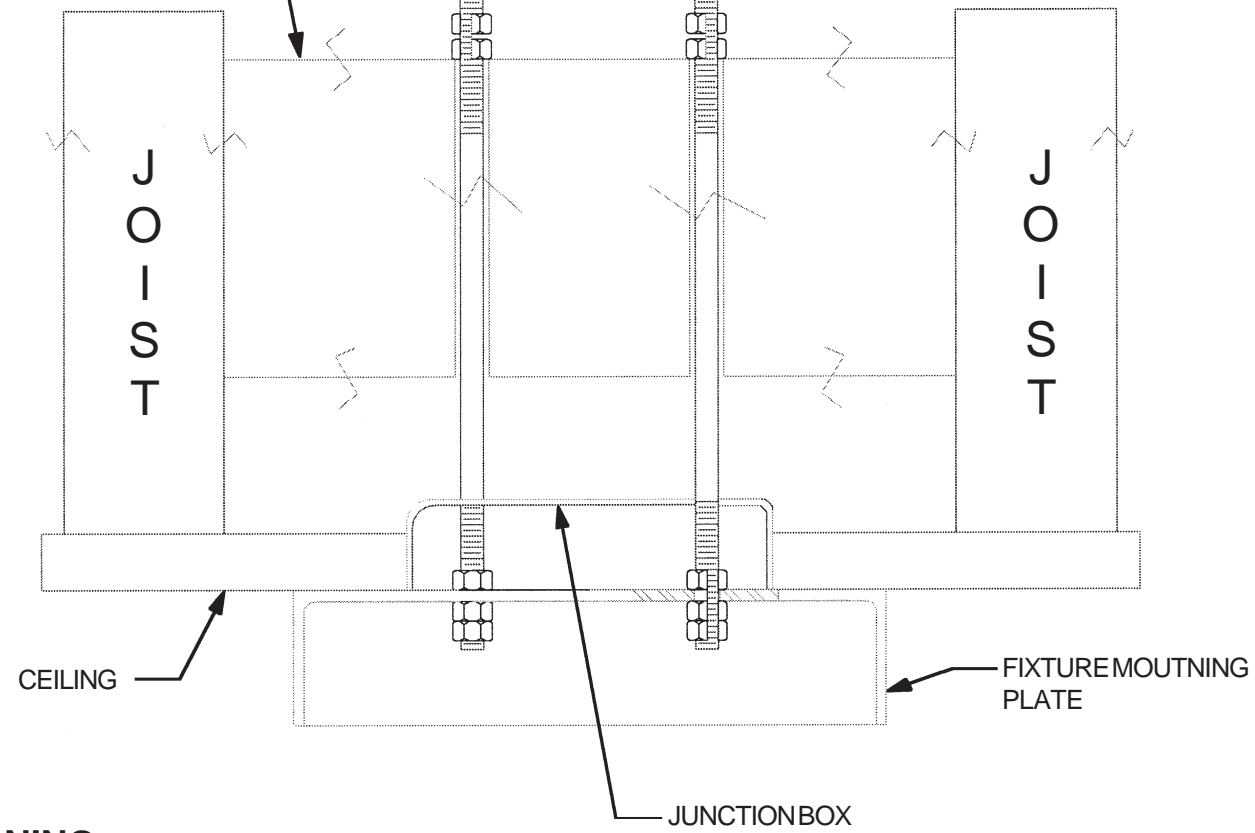
**NOTE: INSTALLER IS SOLELY RESPONSIBLE FOR PROPER MOUNTING!**



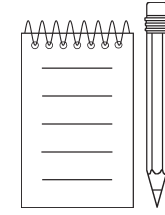
CROSS MEMBERS  
SECURELY FASTEN TO  
JOIST OR SIMILAR  
STRUCTURE MEMBER

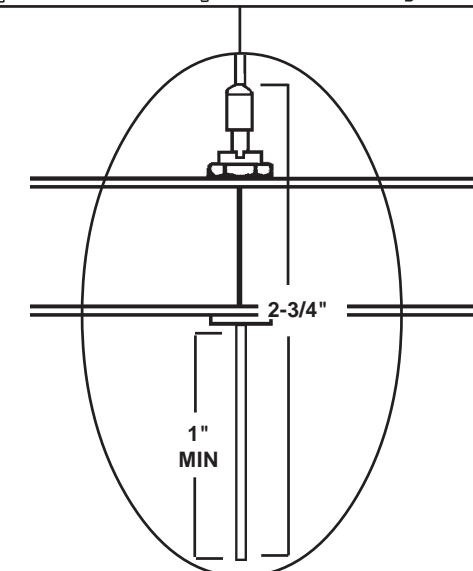
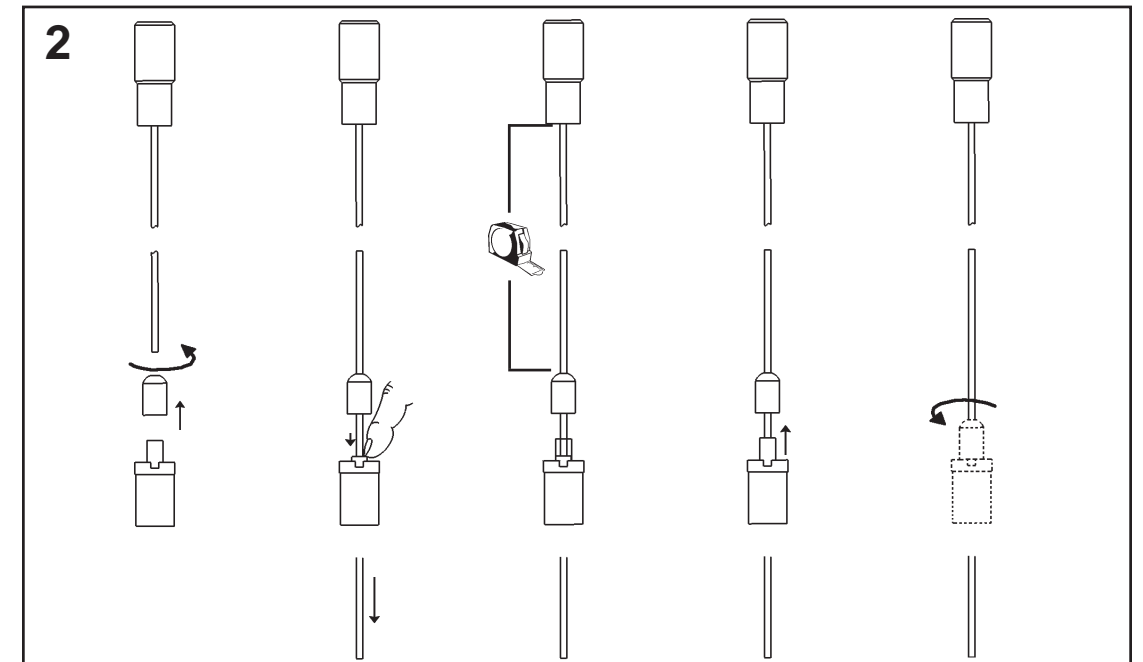
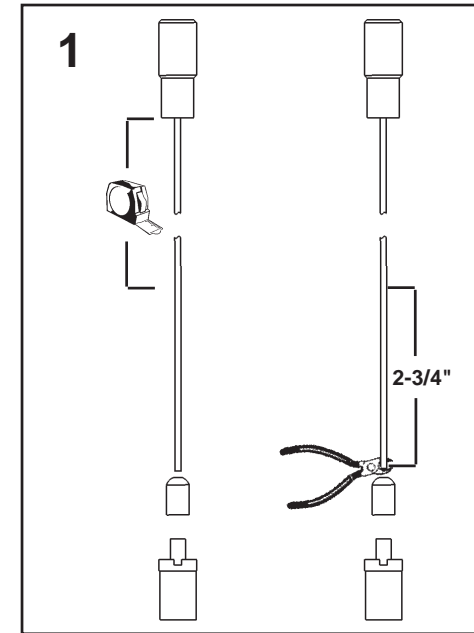
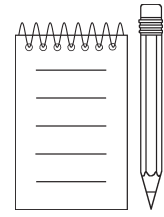
PLAN VIEW OF MOUNTING BRACKET

Ø 1/4-20 THREADED ROD

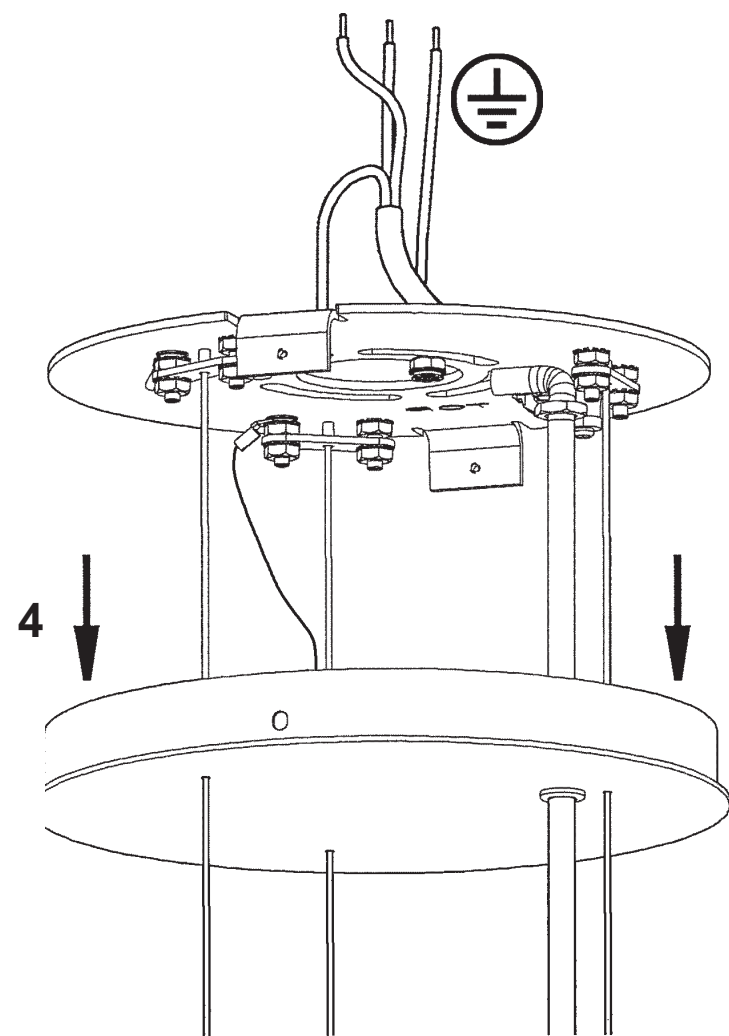
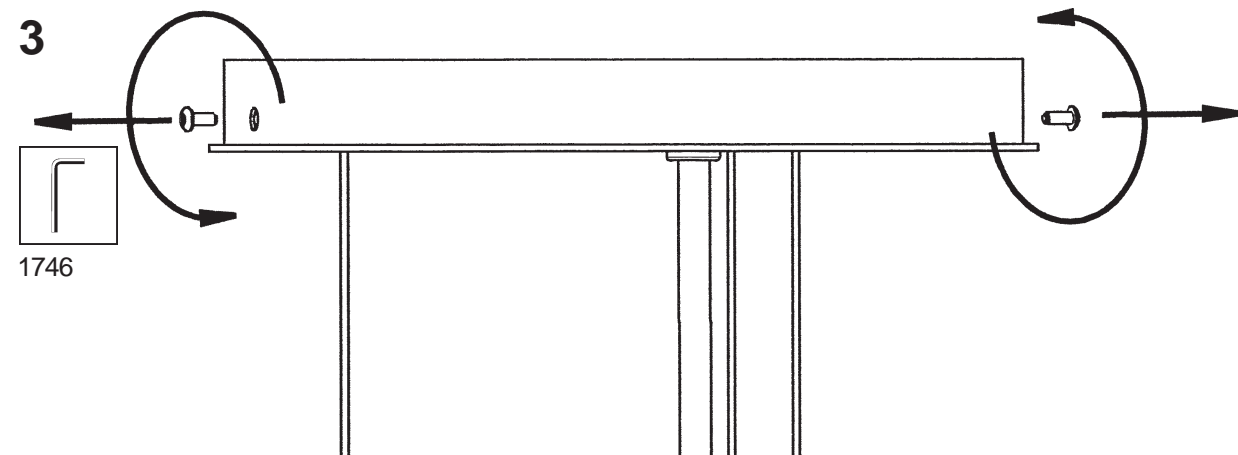


**WARNING:**  
MOUNTING CONFIGURATION AND HARDWARE MUST HOLD 4X THE WEIGHT OF THE FIXTURE. MOUNTING DESIGN AND FIXTURE INSTALLATION SHOULD BE CONDUCTED BY A QUALIFIED LICENSED PROFESSIONAL.

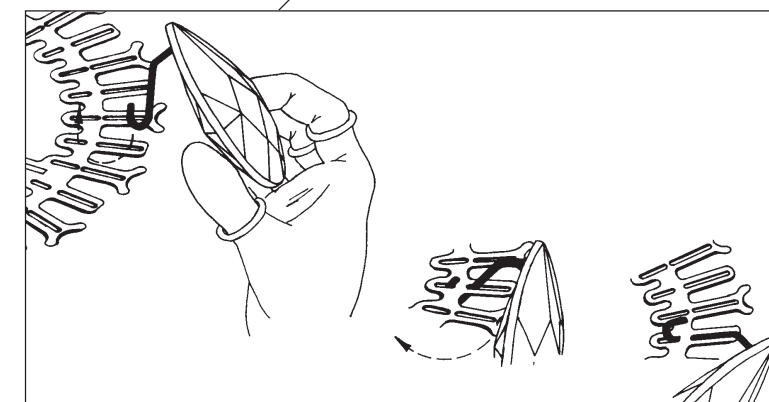
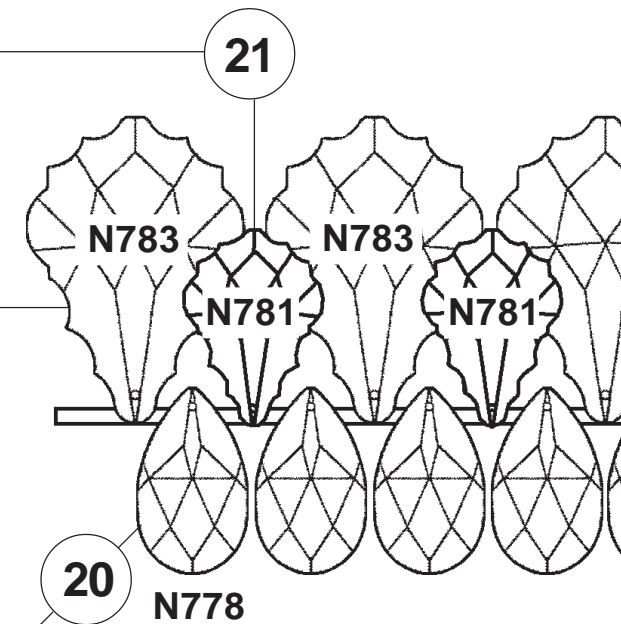
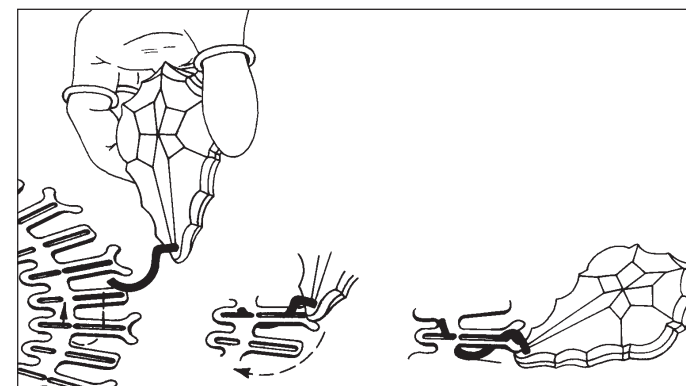
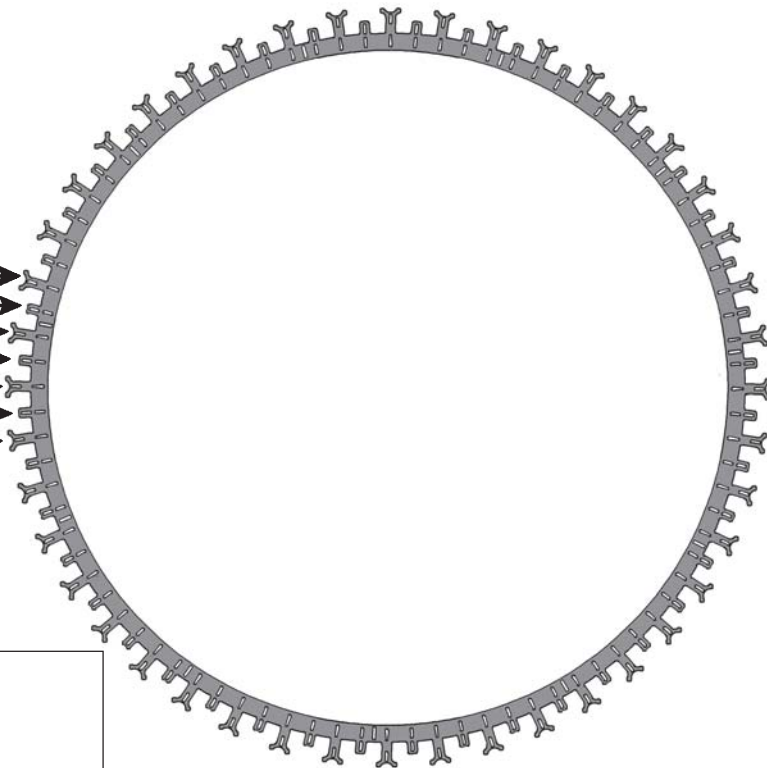


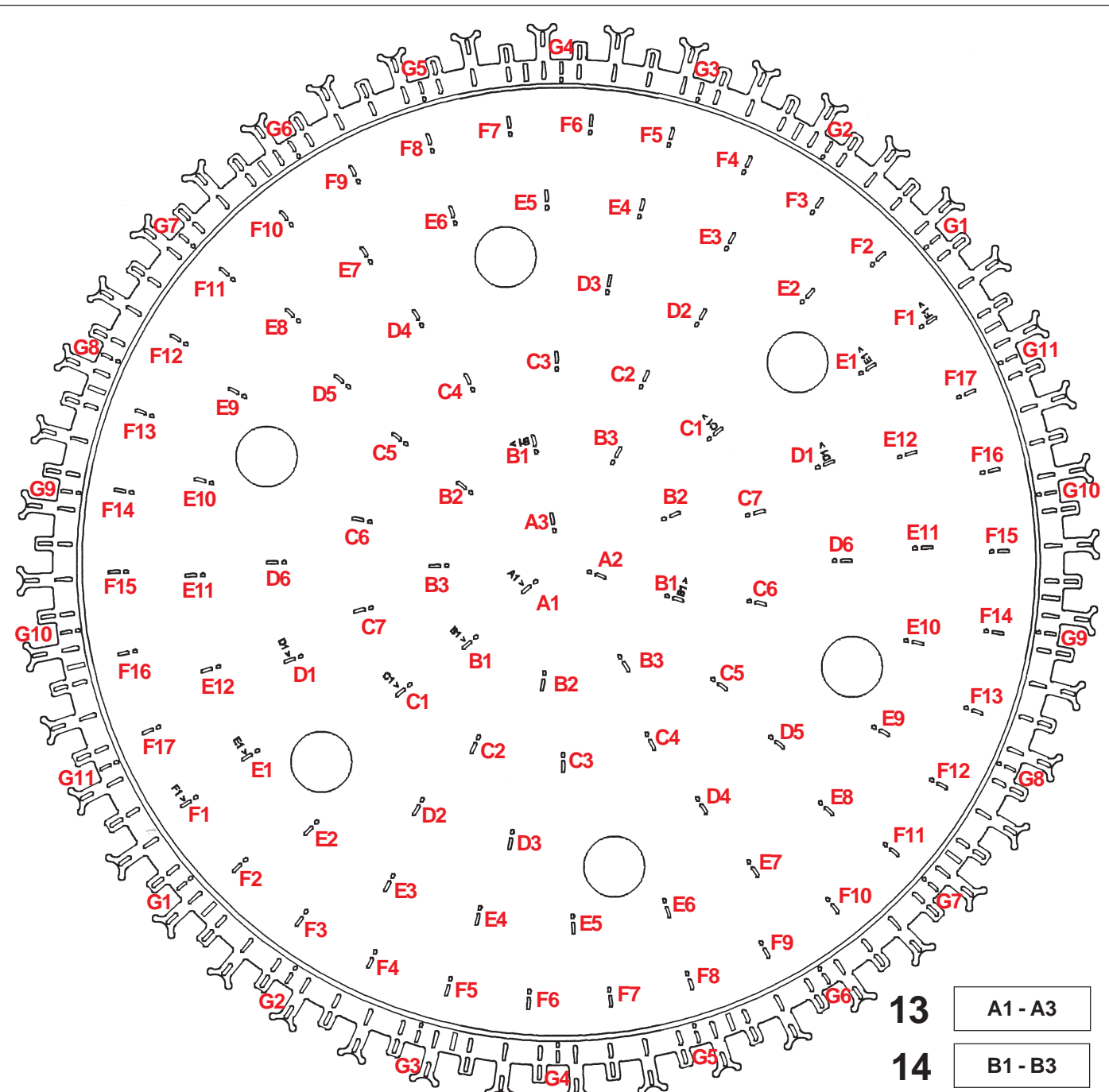


1X  : 1746

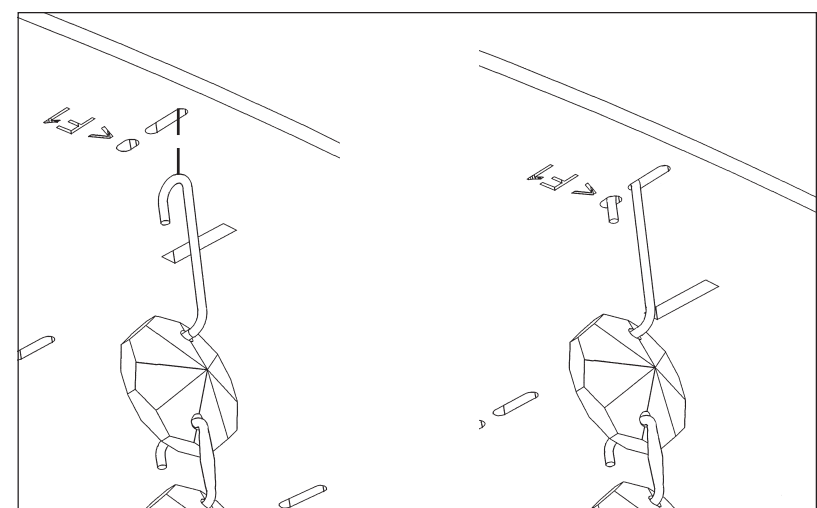


N783 →  
N778 →  
N781 →  
N778 →  
N783 →  
N778 →  
N781 →





- 13** A1 - A3
- 14** B1 - B3
- 15** C1 - C7
- 16** D1 - D6
- 17** E1 - E12
- 18** F1 - F17
- 19** G1 - G11



After hanging all trim, remove labels from crystals. If residue remains, wipe off crystal with a soft, dry cloth.

