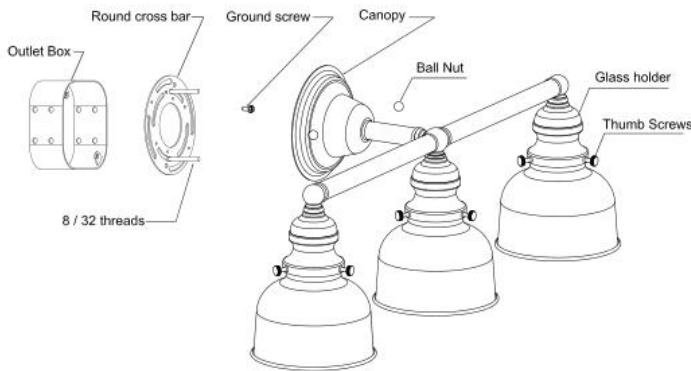


## Assembly Instructions for 1212

We recommend installation of this fixture be done by a licensed electrician. Turn off power at the main fuse or circuit breaker box. **DO NOT EXCEED RECOMMENDED WATTAGE!**

**\*\* Actual parts may vary slightly depending upon the model**



1. Remove the parts carefully from the box before discarding the carton
2. Attach the cross bar to the outlet box with ground screw facing out.
3. Thread the 8/32 threads into the cross bar; about 1/4" should extend beyond the back plate.
4. Fasten ground wire to green screw, Fasten lead wire (or white wire) with ridges to the white wire. Use wire nut to fasten it.
5. Fasten smooth (or black wire) lead wire to the black wire in the box & use nut to fasten it.
6. Place fixture over the wall the outlet box going through 8/32 threads.
7. Secure the fixture with ball nut.
8. Using 3 thumb screws, fasten the shade on the glass holder.
9. Install bulbs (not included).
10. Restore circuit breaker.

**\*Never touch the sconce/shade while power is on. To change bulb, allow 15 minutes for fixture to cool down.**