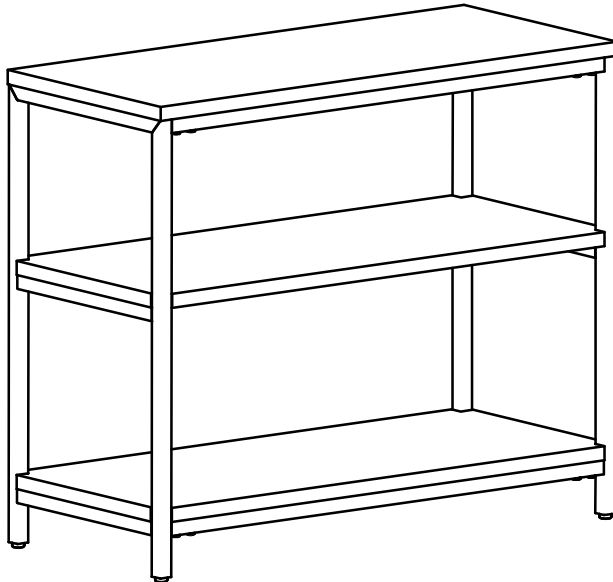


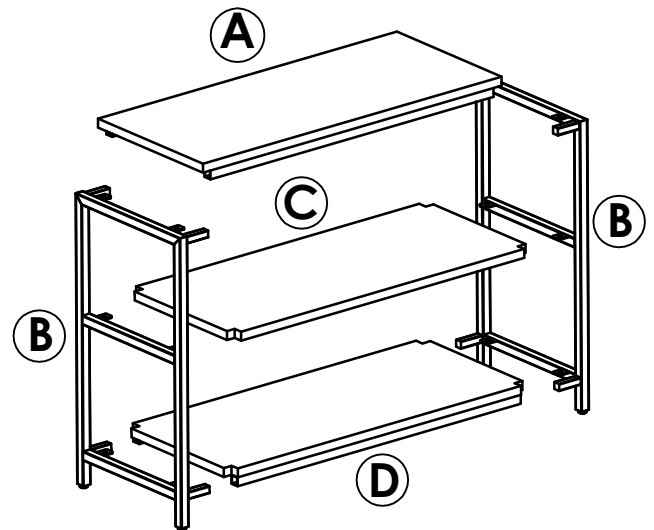
BUTLER

SPECIALTY COMPANY
8200 SOUTH CHICAGO AVE. CHICAGO, IL 60617

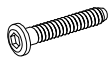
Assembly Instructions
5558419
BOOKCASE



ITEM	DESCRIPTION	QUANTITY
A	Table Top	1
B	Leg	2
C	Shelf	1
D	Base	1



hardware



H1 x 28
bolts m6 x 15 mm



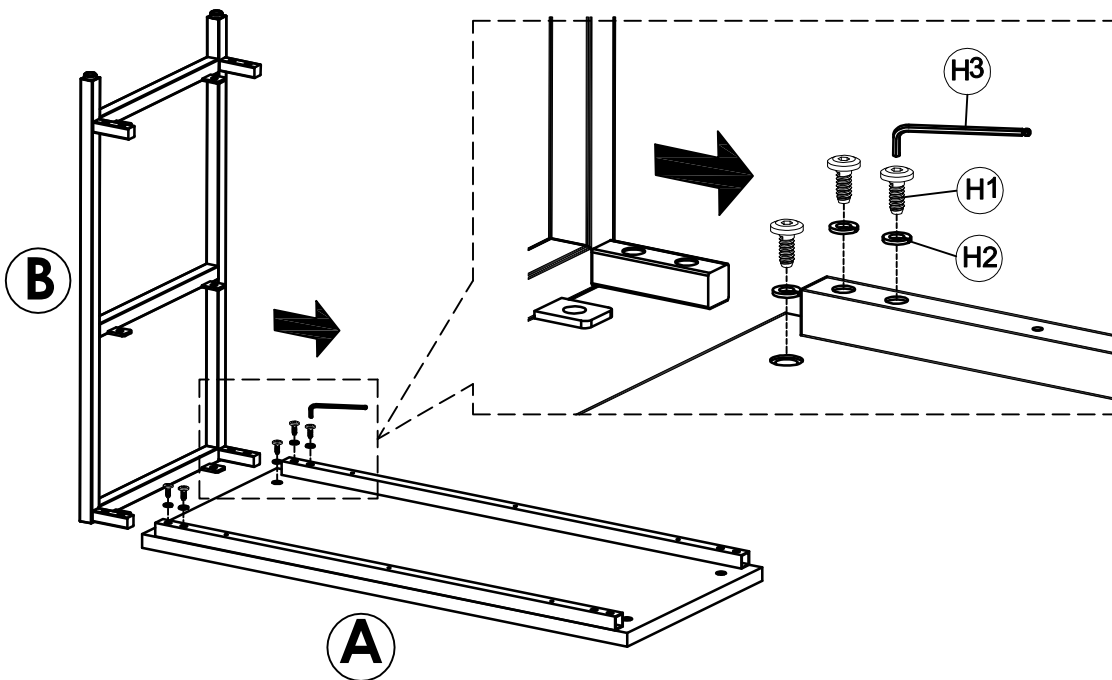
H2 x 28
spring washers \varnothing 13



H3 x 1
allen key #4

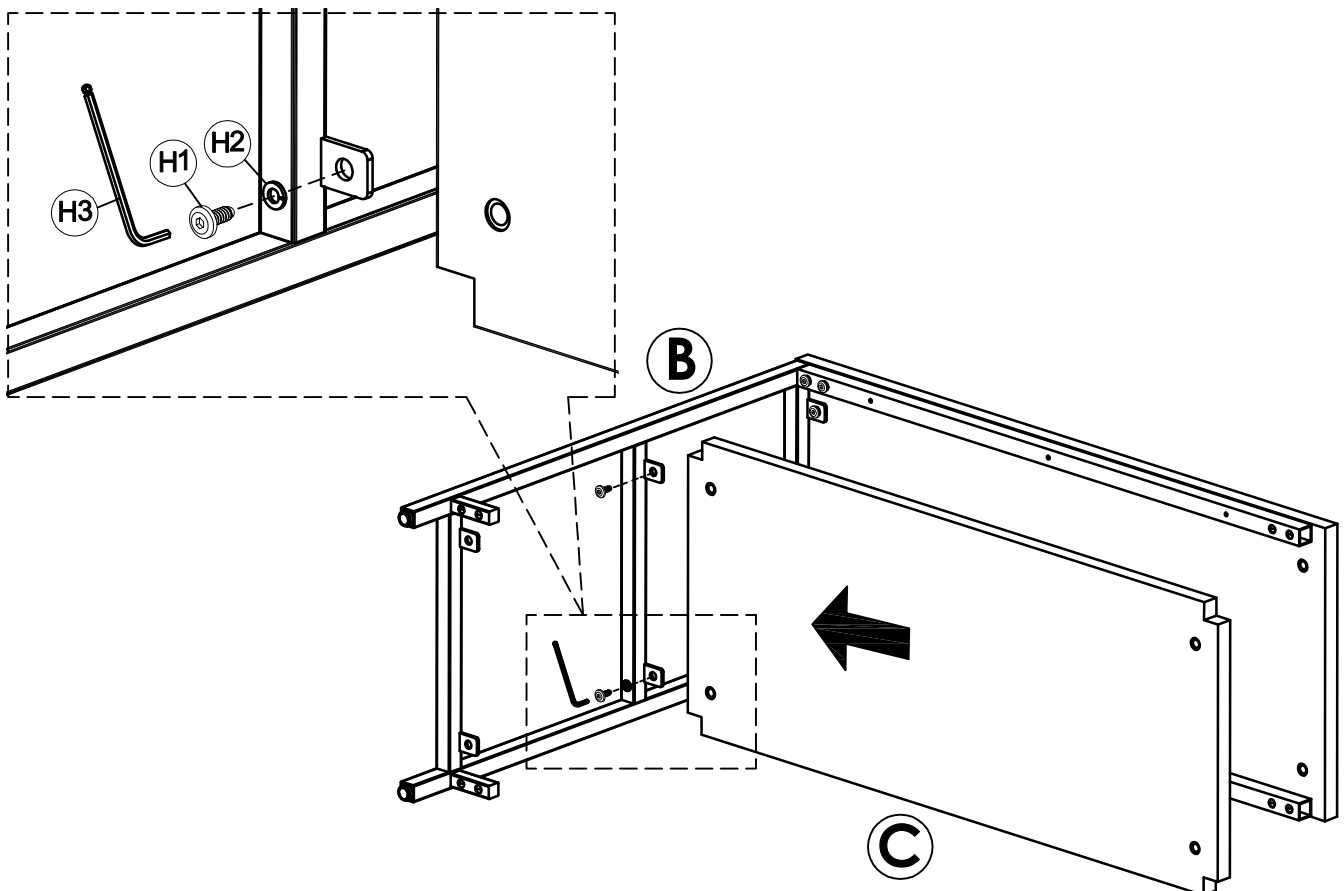
STEP 1

Lay the Table Top (A) up side down . Attach Leg (B) to Table Top (A) then secure with the bolts (H1) , Spring Washers (H2) . Tighten the bolts (H1) with provided Allen Key (H3)



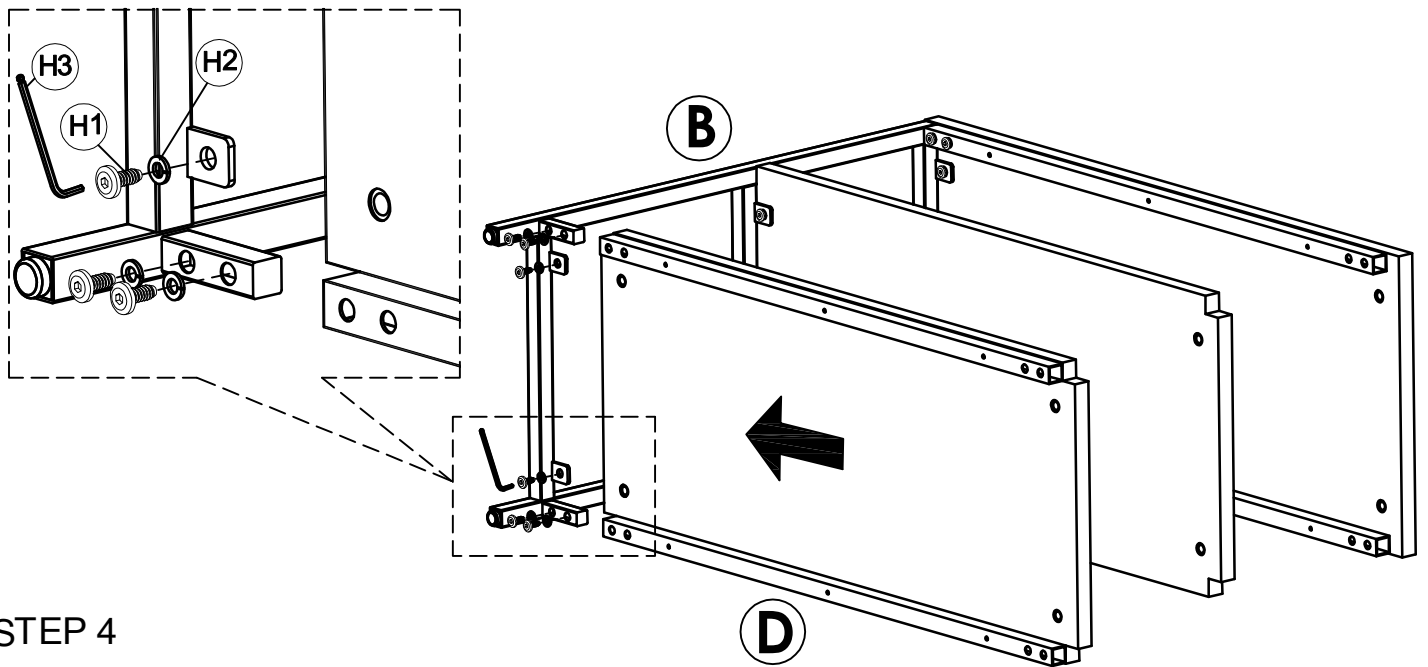
STEP 2

Attach Shelf (C) to Leg (B) then secure with the bolts (H1) , Spring Washers (H2) . Tighten the bolts (H1) with provided Allen Key (H3)



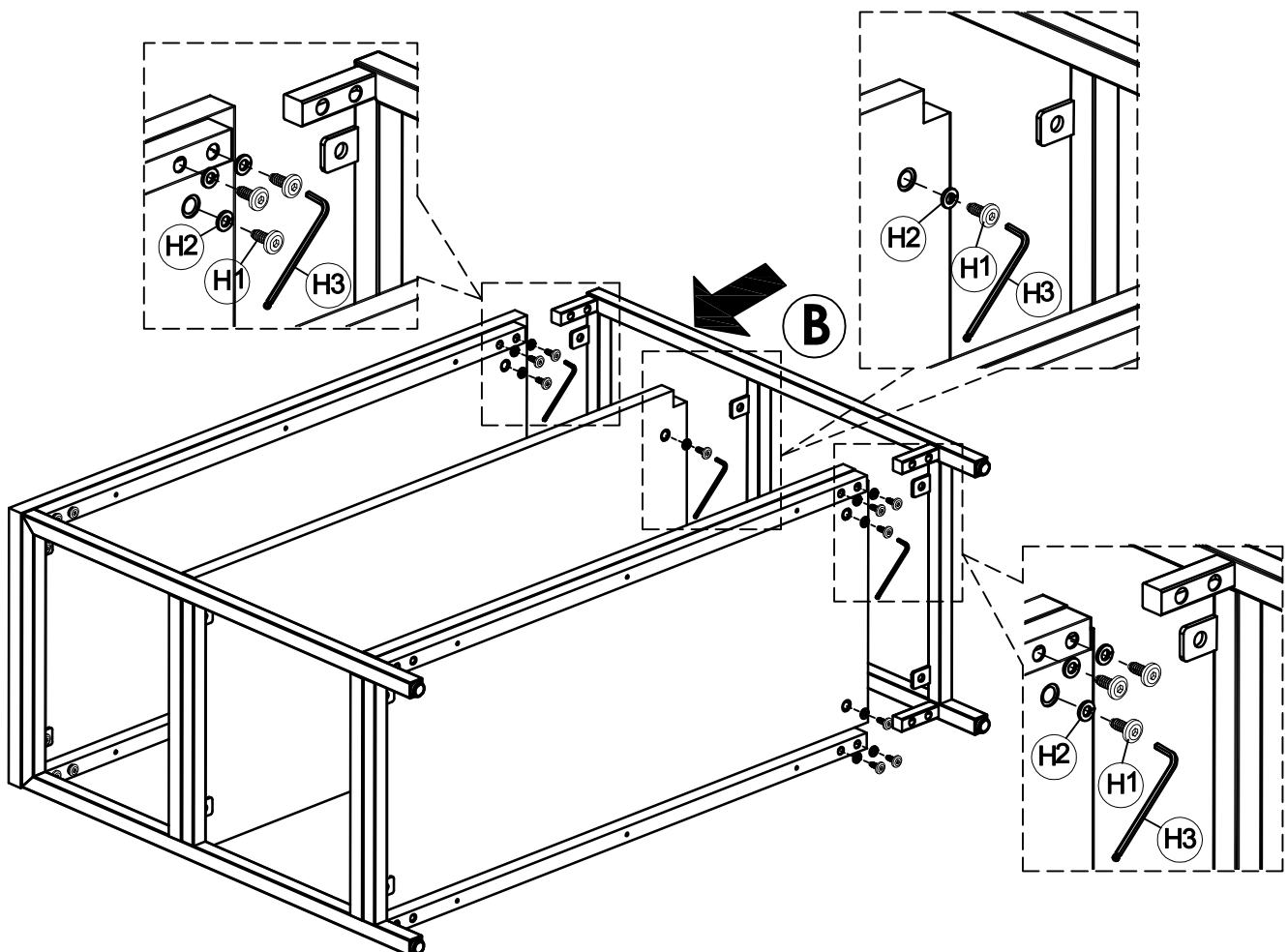
STEP 3

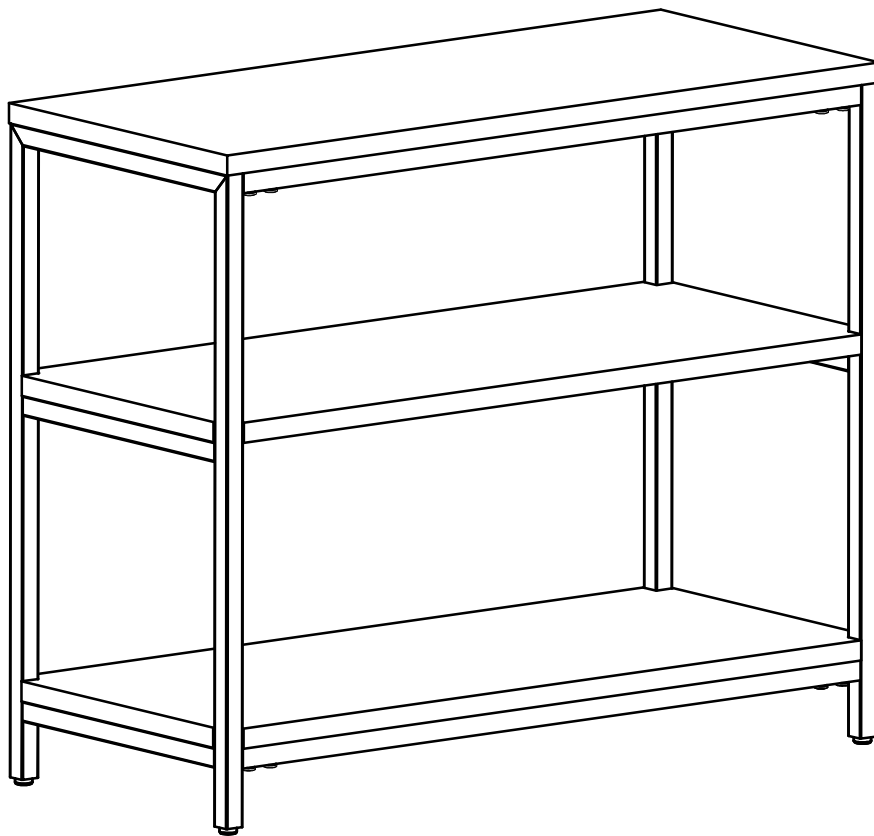
Attach Base (D) to Leg (B) then secure with the bolts (H1) ,Spring Washers (H2) Tighten the bolts (H1) with provided Allen Key (H3)



STEP 4

Attach Leg (B) to Hole of Table Top (A) , Shelf (C) and Base (D) then secure with the bolts (H1) ,Spring Washers (H2) Tighten the bolts (H1) with provided Allen Key (H3)





Congratulations

Assembly complete, Your Bookcase is ready to use

(* Caution : DO NOT OVERTIGHTEN

In any correspondence regarding this product, please include the complete Butler identification number located on the underside of the product.

We hope this product will be a useful and decorative addition to your home for years to come

Copyright© Butler Specialty Company, 02 / 21