

ASSEMBLY INSTRUCTIONS

Utopia Large Linear Pendant

Item # KW 5550

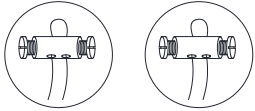
WE RECOMMEND INSTALLATION OF THIS LIGHTING FIXTURE BE DONE BY A LICENSED ELECTRICIAN.

WARNING*SWITCH OFF THE MAIN ELECTRICAL SUPPLY FROM THE MAIN FUSE BOX/CIRCUIT BREAKER BEFORE INSTALLATION.**

INSPECT ITEM CAREFULLY BEFORE ATTEMPTING TO INSTALL. IF THERE IS ANY DAMAGE OR OBVIOUS DEFECT. DO NOT INSTALL.

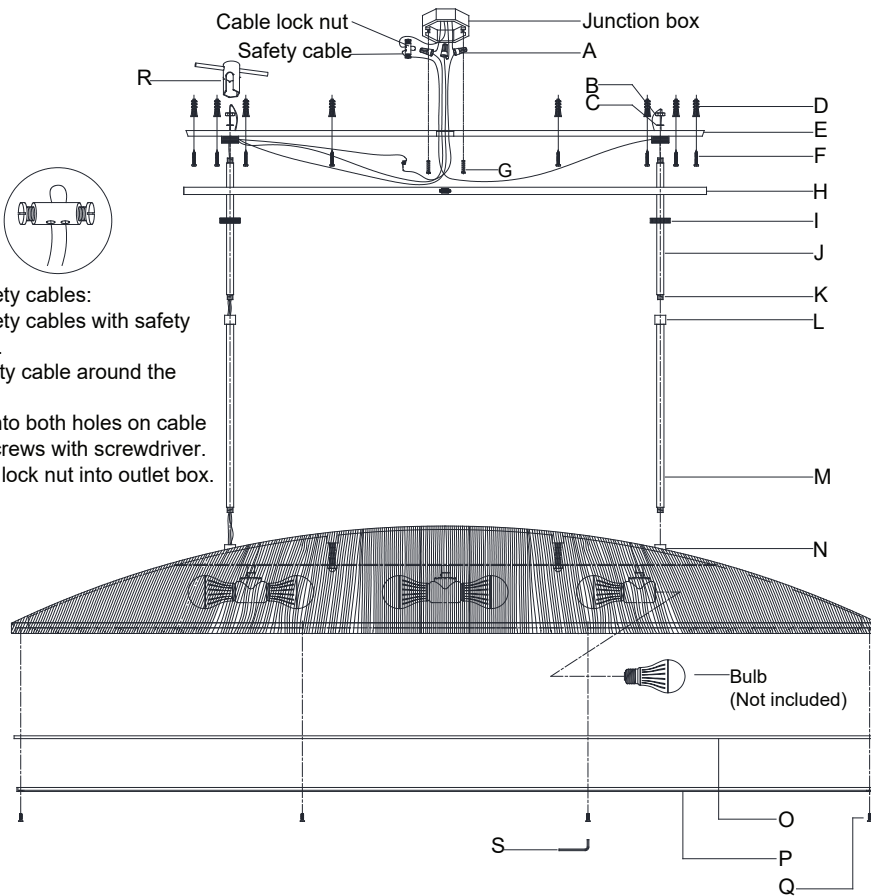
ITEM MAY NOT BE RETURNED ONCE IT HAS BEEN INSTALLED.

NOTE: CAREFULLY UNPACK EACH PIECE IN TOP LAYER OF PACKING PRIOR TO REMOVING. RETAIN ALL PACKING MATERIAL UNTIL INSPECTION AND INSTALLATION ARE FINAL.



TO assemble safety cables:

1. Join fixture safety cables with safety cable from ceiling.
2. Wrap both safety cable around the cable lock nut.
3. Insert screws into both holes on cable lock nut, secure screws with screwdriver.
4. Push the cable lock nut into outlet box.



1. Carefully remove all parts from the box.
2. Remove the mounting plate (E) from the canopy (H) by loosening the collar ring (I).
3. Put the mounting plate (E) on the ceiling and mark the holes position with pencil (not included).
4. Drill holes on the ceiling and knock the anchors (D) into the holes.
5. Feed the fixture wires and safety cable through the rod (M) and rod (J).
6. Thread rods (M) to the fixture body (N), then thread the rods (J) to the rods (J).
7. Carefully slide the collar rings (I) and canopy (H) down the rods (J).
8. Attach the mounting plate (E) to the rods (J) and secure with the lock washers (C) and hex nuts (B) using the wrench (R) provided.
9. Install the mounting plate (E) to the junction box and secure with mounting screws (G), then secure the wood screws (F) to the anchors (D) and lock tight.
10. Measure the wires then cut, be certain to leave enough length to connect to the wires in the junction box.
11. Strip the insulation on the fixture wires about 5/8".
12. Run safety cable through junction box and install to structural member of the building. Secure using cable lock nut as shown in figure.
13. Wrap the fixture ground wire to the green ground screw on the mounting plate (E) and secure, then connect to ground wire in the junction box using wire nut (A).
IT IS IMPERATIVE THAT THIS FIXTURE BE GROUNDED.
14. Connect the fixture ribbed wire (no marking) to the junction box neutral wire with the wire nut (A).

ASSEMBLY INSTRUCTIONS

Utopia Large Linear Pendant

Item # KW 5550

WE RECOMMEND INSTALLATION OF THIS LIGHTING FIXTURE BE DONE BY A LICENSED ELECTRICIAN.

WARNING*SWITCH OFF THE MAIN ELECTRICAL SUPPLY FROM THE MAIN FUSE BOX/CIRCUIT BREAKER BEFORE INSTALLATION.**

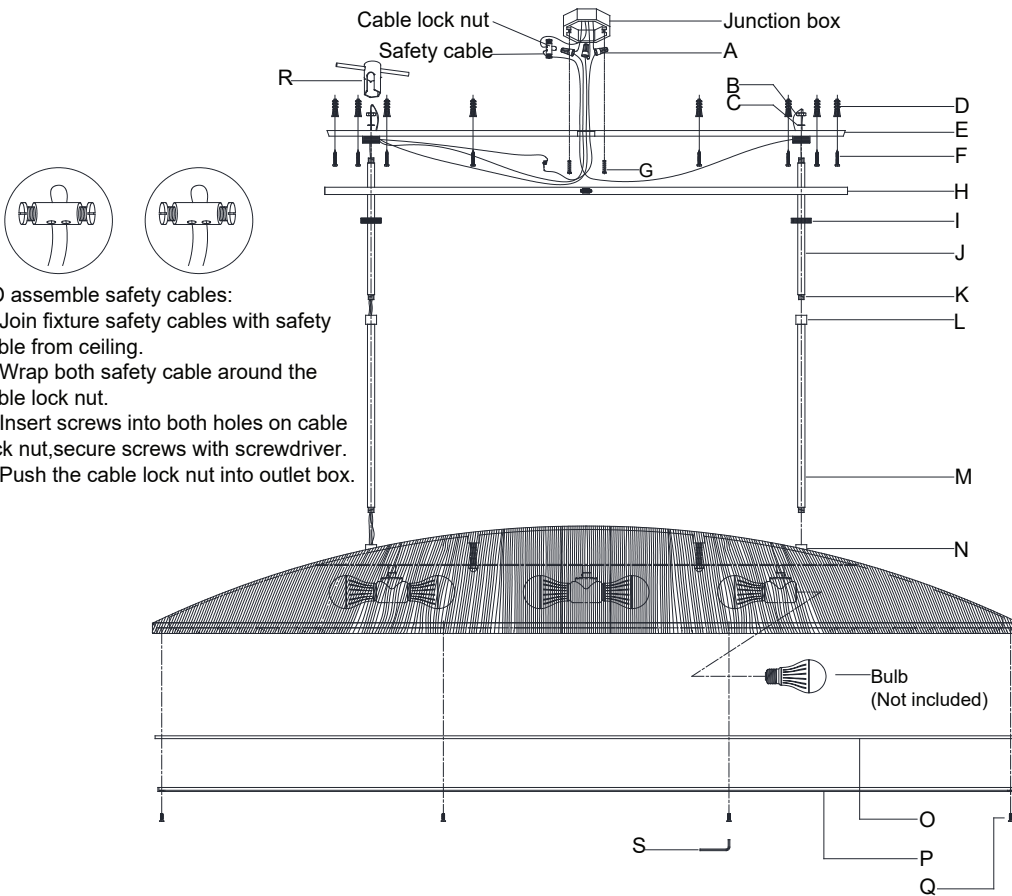
INSPECT ITEM CAREFULLY BEFORE ATTEMPTING TO INSTALL. IF THERE IS ANY DAMAGE OR OBVIOUS DEFECT. DO NOT INSTALL.

ITEM MAY NOT BE RETURNED ONCE IT HAS BEEN INSTALLED.

NOTE: CAREFULLY UNPACK EACH PIECE IN TOP LAYER OF PACKING PRIOR TO REMOVING. RETAIN ALL PACKING MATERIAL UNTIL INSPECTION AND INSTALLATION ARE FINAL.

15. Connect the fixture smooth wire (with marking) to the junction box hot wire with the wire nut (A).
- DO NOT REVERSE THE HOT AND NEUTRAL CONNECTIONS OTHERWISE SAFETY WILL BE COMPROMISED.
16. Carefully tuck the wire connections into the junction box.
17. Install the canopy (H) to the ceiling and secure with the collar rings (I).
18. Insert bulbs (not included) into the sockets.
19. Put the acrylic diffuser (O) to the metal frame (P), then attach the metal frame (P) to the bottom of the fixture body (N) and secure with screws (Q) by using the wrench (S) provided.
20. Installation is complete, turn on power at fuse or circuit breaker.

***Clean with a dry, soft cloth only. Use no harsh abrasives or chemical agents.



TO assemble safety cables:

1. Join fixture safety cables with safety cable from ceiling.
2. Wrap both safety cable around the cable lock nut.
3. Insert screws into both holes on cable lock nut, secure screws with screwdriver.
4. Push the cable lock nut into outlet box.