



CAL LIGHTING

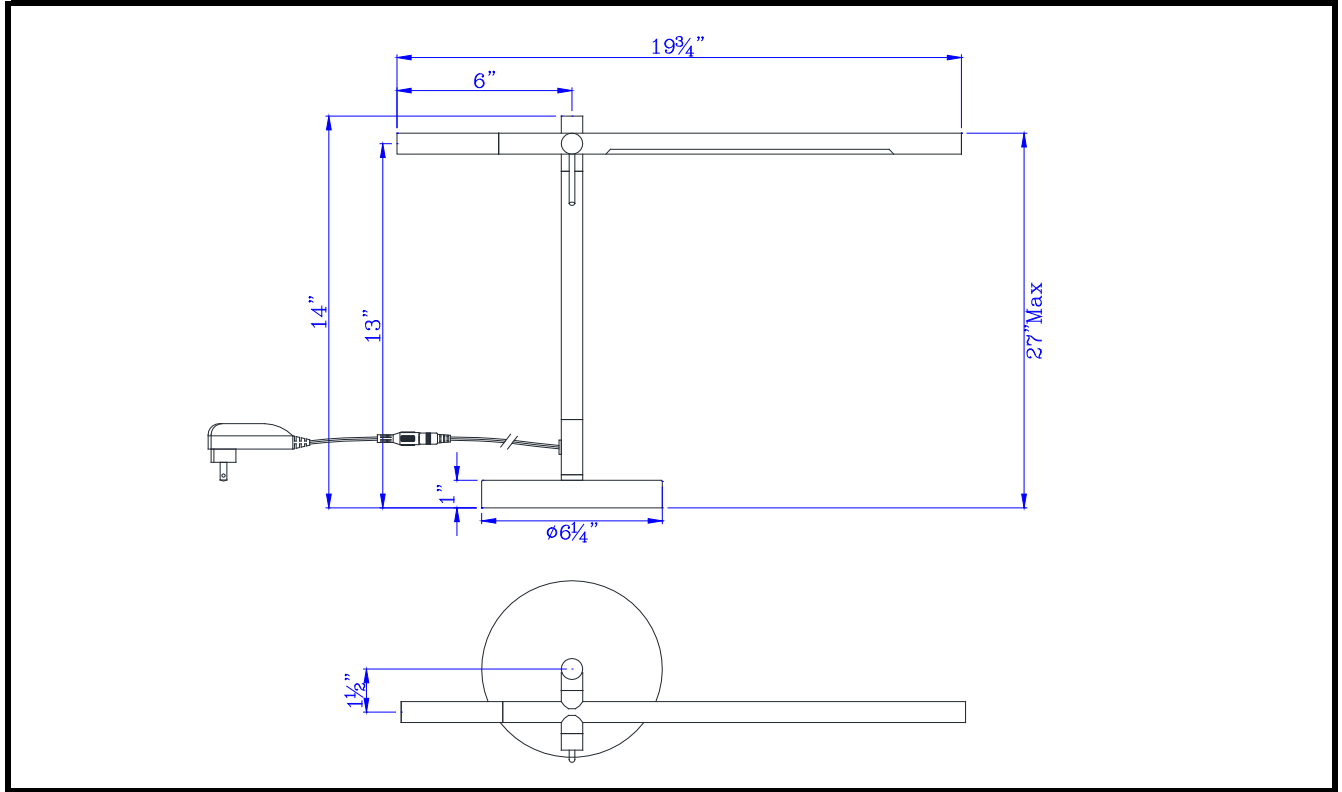
3625 E. Philadelphia St. Ontario CA. 91761 • Tel: 909.947.5200 • Fax:
909.947.5673 • www.calighting.com • service@calighting.com •
Specifications subject to change without notice

Type: _____

Project: _____

Catalog No.: _____

Lamp/Wattage: _____



- Model No:** BO-2843DK
- Description:** Virton metal LED 10W, 780 Lumen, 3K adjustable desk lamp
- Material:** Metal
- Finish :** Antique Brass/Black
- Height:** 15~27"
- Reach/Depth:** 19 3/4"
- Base Width:** Dia.6 1/4"
- Wattage :** 10W
- Socket :** LED
- Switch:** ON/OFF Dimmer
- Lumen:** 780LM
- Kelvin:** 3000K
- CRI:** 80
- Dimming:** Dimmable
- Wire Length:** 6'
- Wire Color:** Black
- Shade No:**
- Material:**
- Shade size:**
- Warranty:** Three Years

Certificate :

