



CAL LIGHTING

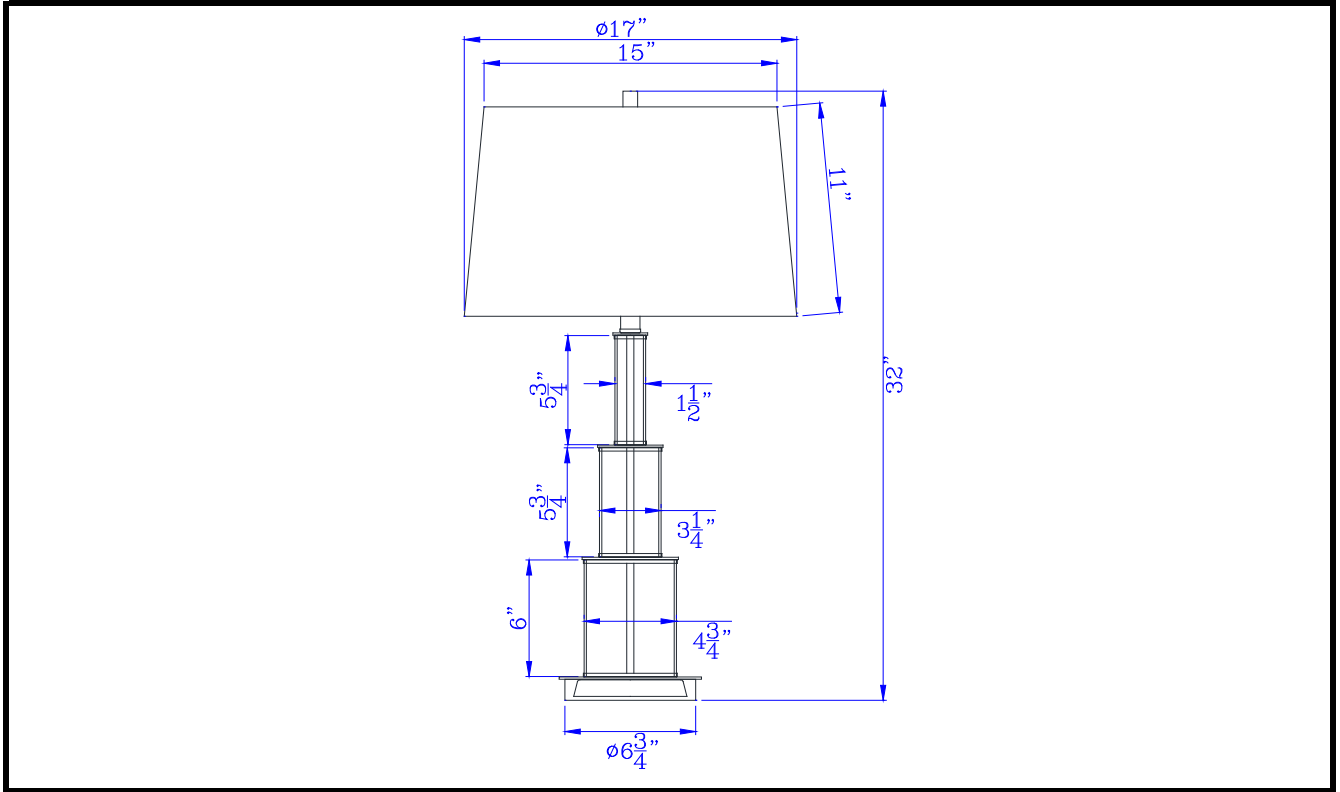
3625 E. Philadelphia St. Ontario CA. 91761 • Tel: 909.947.5200 • Fax:
909.947.5673 • www.calighting.com • service@calighting.com •
Specifications subject to change without notice

Type: _____

Project: _____

Catalog No.: _____

Lamp/Wattage: _____



- Model No:** BO-2853TB
- Description:** Brest 150W 3 way Glass table lamp
- Material:** Metal/Glass
- Finish :** Antique Brass
- Height:** 32"
- Reach/Depth:** 17"
- Base Width:** Dia.6 3/4"
- Wattage :** 150W
- Socket :** Medium Base (E26)
- Switch:** 3-way
- Bulb:** Incandescent, CFL
- USB:**
- Outlet:**
- Wire Length:** 6'
- Wire Color:**
- Shade No:**
- Material:** Fabric
- Shade size:** 15"x17"x11"
- Certificate :** 