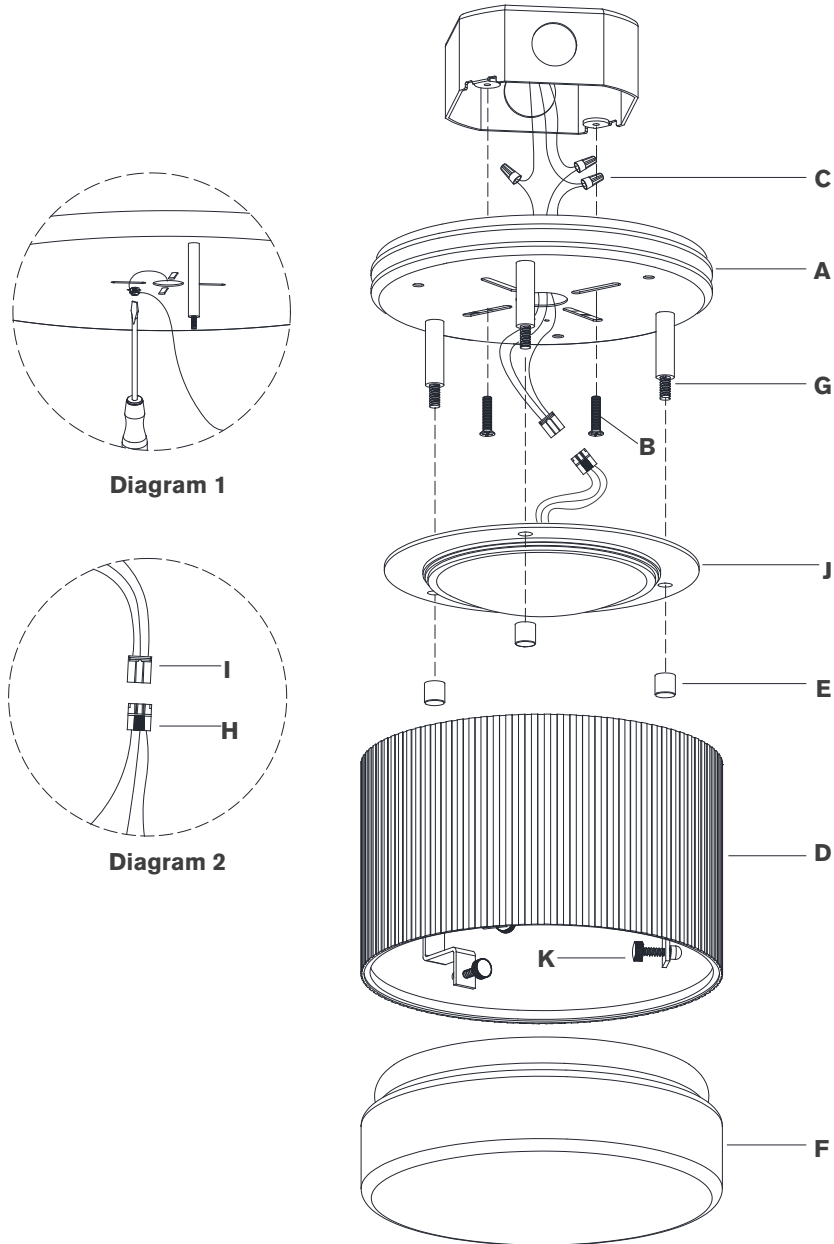


## ASSEMBLY INSTRUCTIONS



## Ace 7" Flush Mount

Item # TOB 4355

### NOTICE:

This light fixture should be installed in accordance with all applicable, local installation codes, and by a person familiar with the construction and operation of it, as well as the hazards involved. Inspect item and contents carefully. If any damage or defect is found, do not install. Retain all packaging material until installation is complete and approved.

### TOOLS REQUIRED (NOT INCLUDED):

Phillips Screwdriver

Slotted Screwdriver

1. Carefully remove all parts from the box. Place on a clean, soft surface.
2. Install mounting plate **(A)** to the junction box and secure with mounting screws **(B)**.
3. Remove quick connector **(I)** from fixture.
4. Wrap fixture ground wire (bare copper) around the green grounding screw (see diagram 1). Tighten. Continue fixture ground wire and connect to supply ground wire (usually green or bare copper) using wire nut **(C)**.  
**NOTE:** It is imperative that the fixture is grounded.
5. Connect fixture neutral wire (white) to the supply neutral wire (usually white) using wire nut **(C)**.
6. Connect fixture hot wire (black) to the supply hot wire (usually black) using wire nut **(C)**.  
**CAUTION:** Do not reverse the hot and neutral connections.
7. Make sure all wire connections are tight, then carefully tuck into the junction box.
8. Connect quick connectors **(I & H)** together (see diagram 2), then install fixture body **(I)** to threaded nipple **(G)** and secure with threaded caps **(E)**.

## ASSEMBLY INSTRUCTIONS

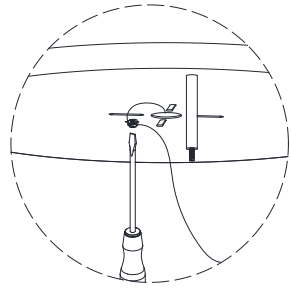


Diagram 1

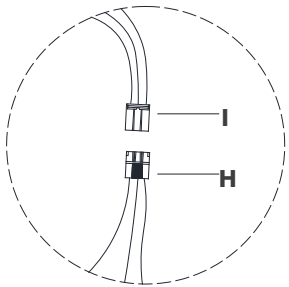
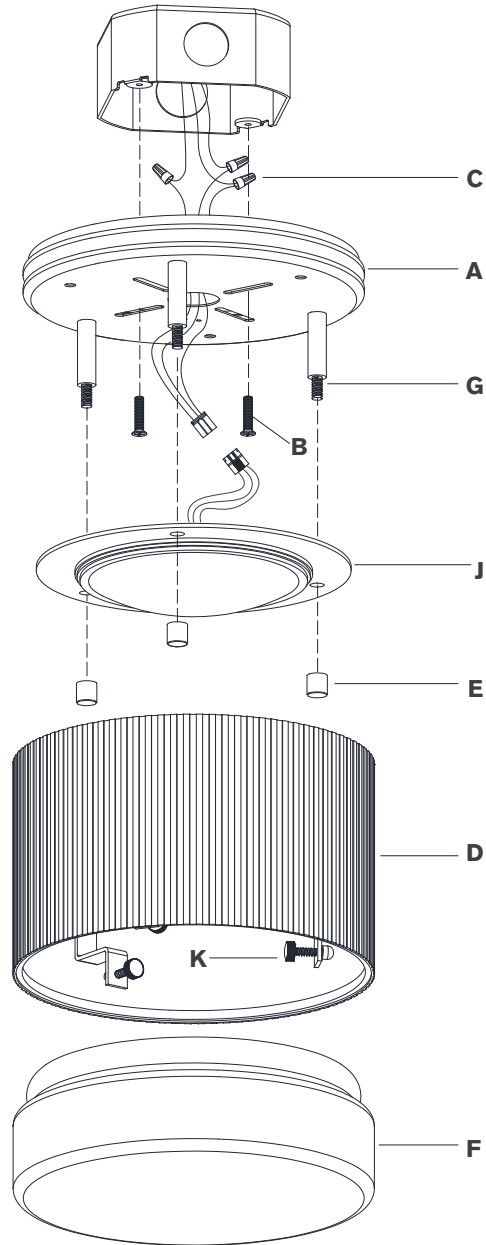


Diagram 2



## Ace 7" Flush Mount

Item # TOB 4355

### NOTICE:

This light fixture should be installed in accordance with all applicable, local installation codes, and by a person familiar with the construction and operation of it, as well as the hazards involved. Inspect item and contents carefully. If any damage or defect is found, do not install. Retain all packaging material until installation is complete and approved.

- Loosen thumbscrews **(K)** from shade bracket, then install glass shade **(F)** to metal shade **(D)** and secure with thumbscrews **(K)**.  
**NOTE:** Do not over-tighten otherwise shade could become damaged.
- Thread metal shade **(D)** to mounting plate **(A)**.

**Care Instructions:** Clean only with a soft dry cloth or feather duster. Do Not use abrasive or chemical agents.