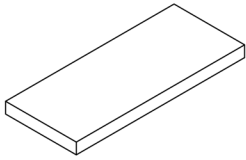
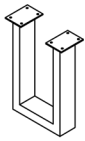


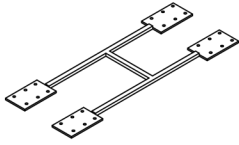
A. TABLE TOP x1



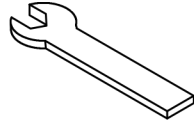
B. BASE x2



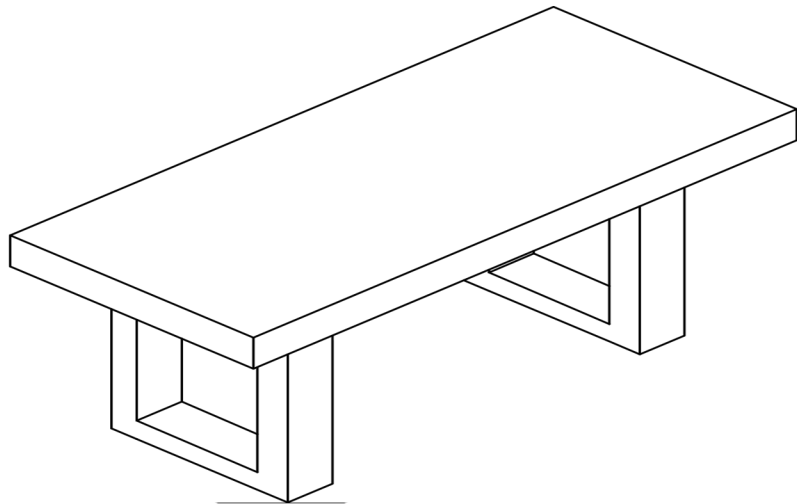
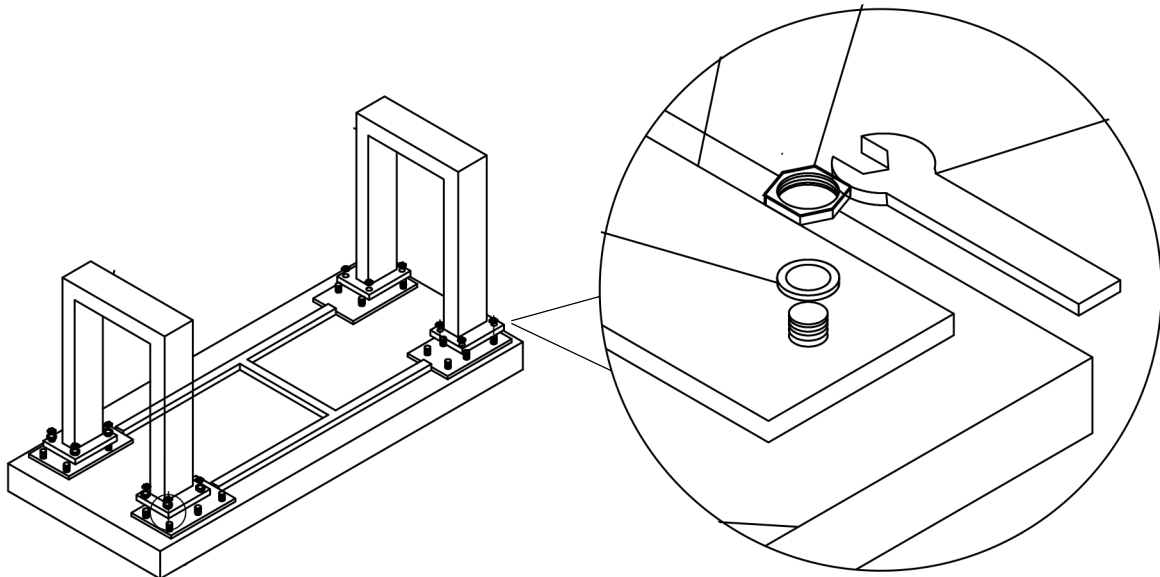
C. STEEL FRAME x1



C. KEY x1



1



FINISHED