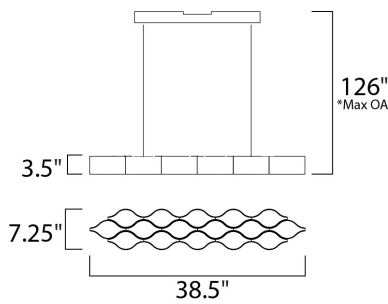




**PRODUCT DESCRIPTION**

Cast metal frames of Matte White waves come to create an interesting design that is as pleasant to look at as it is a functional light source. High power LED move ample light into the room but can be dimmed to your desired intensity.



\*max overall height

**MEASUREMENTS**

- DIMENSION : 38.5" L x 7.25" W x 3.5" H
- MAX OAH : 126" OAH
- CANOPY : 2.7" W x 2" H x 21.8" L
- HANGING WEIGHT : 24.42 lb

**LAMPING**

- INPUT VOLTAGE : 120V
- LUMENS : 6,300 Rated
- BULB : 16 x 90W LED PCB Integrated , 90W Total
- BULB INCLUDED : (Integrated)
- DIMMABLE : Triac CL
- CRI : 80+ CRI
- COLOR\_TEMP : 3000K

**FINISHES OPTION**

- Matte White

**MATERIAL**

Aluminum, Acrylic

**RATINGS**

cETLus  
Dry Location



**ADDITIONAL**

ADJUSTABLE  
OPERATING TEMPERATURE:  
-20°C (-4°F), 40°C (104°F)

Always consult a qualified electrician before installing any lighting product.



Contemporary  
Lighting™

**WESTERN DISTRIBUTION CENTER (HEADQUARTER)**  
253 NORTH VINELAND AVE | CITY OF INDUSTRY, CA 91746

**EASTERN DISTRIBUTION CENTER**  
4200 SHIRLEY DR. | ATLANTA, GA 30336

P. 626.956.4200 | F. 626.956.4225 | et2online.com