

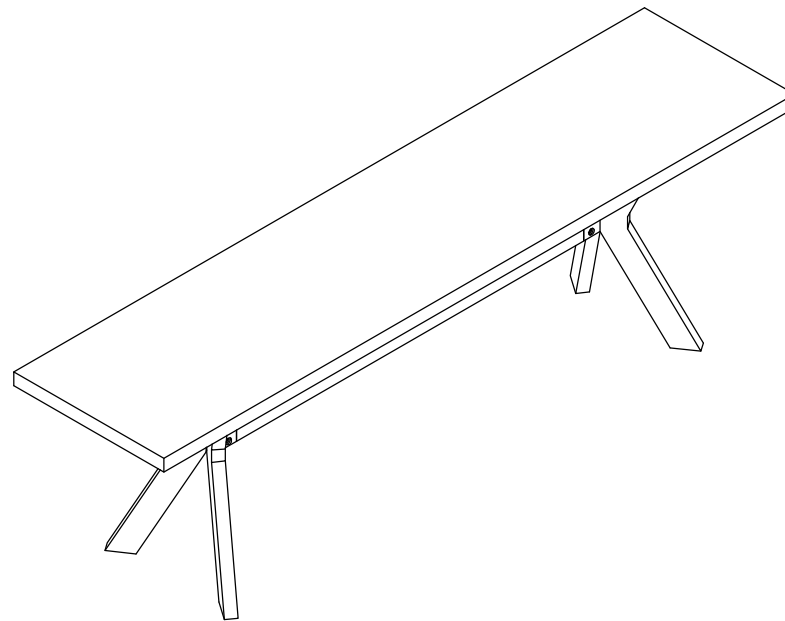
MOE'S

home collection

ASSEMBLY INSTRUCTIONS.

NEVADA BENCH

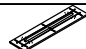



UR-1007-03









THANK YOU FOR YOUR PURCHASE!

PARTS AND HARDWARE.

PARTS LIST

NO.	DESCRIPTION	IMAGE	Q'TY
P1	SEAT FRAME		1
P2	RIGHT LEG		2
P3	LEFT LEG		2
P4	STRETCHER		1

HARDWARE LIST

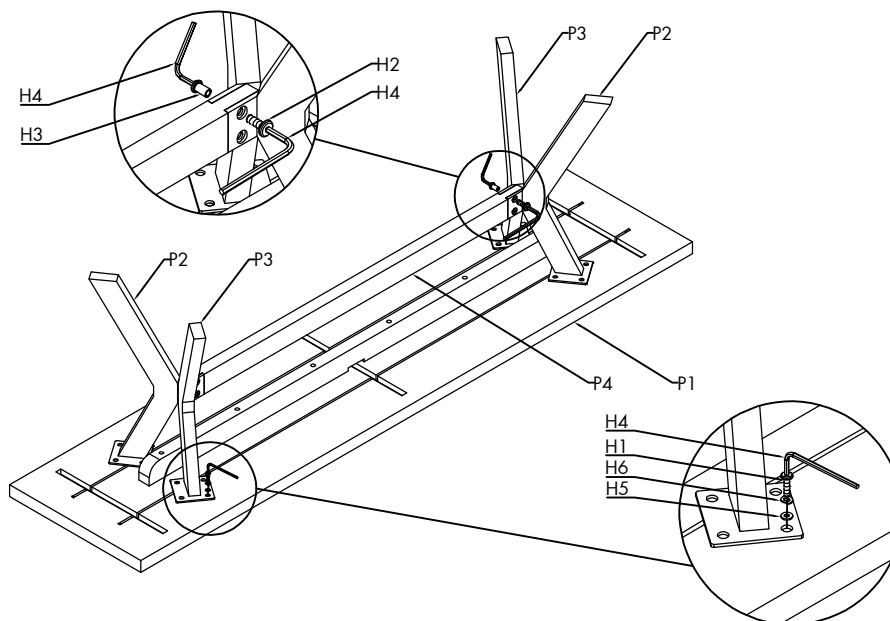
NO.	DESCRIPTION	IMAGE	Q'TY
H1	BOLT M8x20		16
H2	BOLT M6x20		4
H3	SLEEVE NUT M6x20		4
H4	ALLEN KEY M4		2
H5	FLAT WASHER M8		16
H6	SPRING WASHER		16

NOTES.

Thank you for purchasing this quality product! Be sure to check all packing material carefully for small part that may have come loose inside the carton during shipping.

CAUTION: The item is heavy, assembly should be performed by two people.

STEP 1.



STEP 2.

