

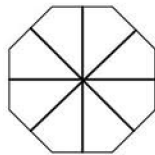
8005D31

D31"H35" L15



We are dedicated to providing the finest quality crystal chandelier for our customers. Our master craftsmen and designer pride themselves on their attention to detail. prompt, efficient service is our priority.

Enclosed, are detailed instructions on how to properly install your chandelier. Please read all instructions carefully and thoroughly. If you have any questions please feel free to call our toll free CHANDELIER HOTLINE AT:



1-888-388-3390



WARNING!!!

CONTENTS ARE FRAGILE
HANDLE WITH CARE

The metal frame and crystal components of this chandelier are very delicate. Please exercise extreme caution during unpacking and installation.

WARNING!!!

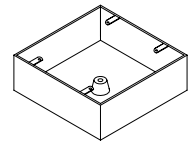
After passing the main electrical wire through the 10mm pipe and connecting the pipe to the main body top connector, place all remaining pieces as shown in numerical order and in the orientation depicted. Refer to the parts list to avoid confusion between parts. The part numbers coincide.

CAUTION

1. Rated 110-130V/60Hz, bulb 40W maximum
2. Care should be taken to avoid damage to the surface of lighting and wire, wearing gloves is recommended when installing.
3. Connect black or red wire of the lighting to live wire and white or blue wire to neutral wire and double colored (or bare copper) wire to ground wire.
4. Never install lighting on damp ceiling, the room should be dry and well ventilated.
5. Keep lighting away from acid, alkali and other corrosive chemical or gas, clean the lighting with clean soft cloth only.
6. Installation must be carried out by qualified electrician only.
7. Disconnect the power before installing, cleaning and replacing lighting.
8. Never cover the lighting when power is connected.
9. Firmness must be secured when installing ceiling tube, chain, pipe and other connecting parts.
10. Care should be taken to avoid damage when installing glass parts.
11. All electrical components must be installed by a licensed electrician and in accordance with the National Electrical Code and the appropriate local electrical codes. Make sure that the electrical supply to the chandelier is turned off at the main fuse or circuit breaker before doing any installation.

CANOPY PARTS LIST

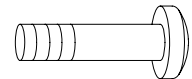
ZA: Junction Box (not supplied)



ZB: Crossbar



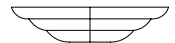
ZC: Crossbar Screw x 2 (not supplied)



ZD: Canopy Lock



ZE: Canopy



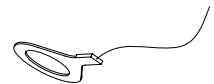
ZF: Metal Ring



ZG: Chain



ZH: Ground Wire



ZI: Canopy Loop



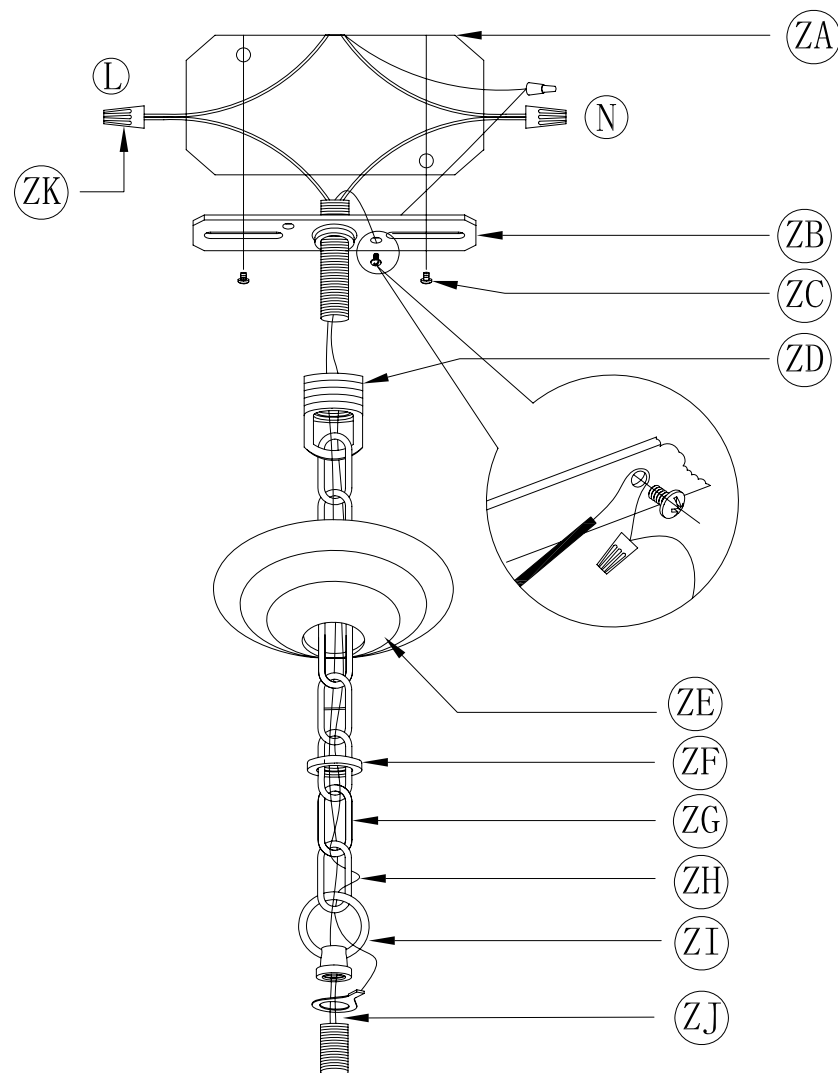
ZJ: Electric Main



ZK: Junction Cap



CANOPY INSTALLATION DIAGRAM



03

CANOPY INSTALLATION INSTRUCTIONS

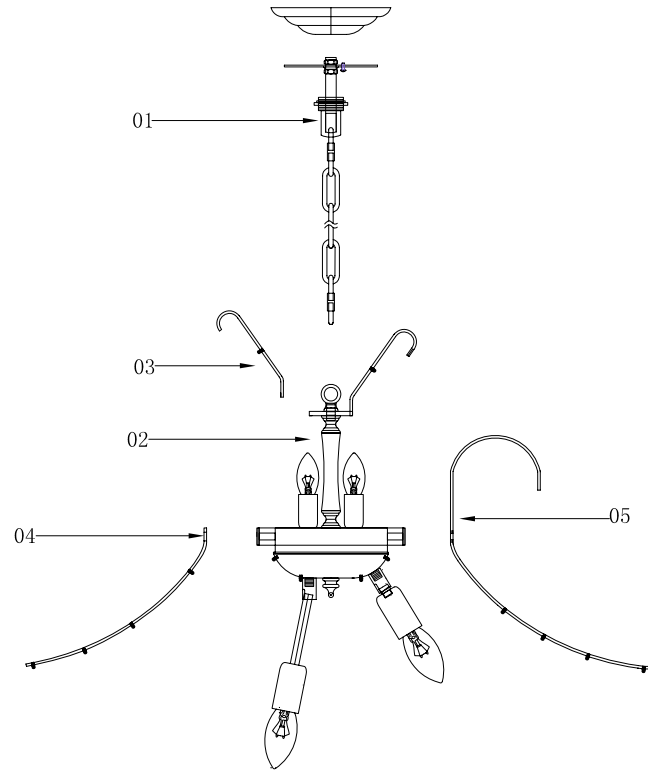
Please read all instructions carefully. Before you proceed to install, make sure that the power supply is turned off and off until installation is complete. Please note that each part has been assigned a letter. Please proceed in alphabetical order.

- ZA. Junction Box (not supplied)
- ZB. Crossbar
- ZC. Crossbar Screw
- ZD. Canopy Lock
- ZE. Canopy
- ZF. Metal Ring
- ZG. Chain
- ZH. Ground Wire
- ZI. Canopy Loop
- ZJ. Electric Main
- ZK. Junction Cap

1. Attach the crossbar (ZB) to the junction box (ZA) using the two crossbar screws (ZC) which are not supplied and should already be in your box.
2. Slide the metal ring (ZF) back up over the canopy (ZE), pass the canopy lock (ZD) through canopy (ZE), connect with the threaded pipe underside of the crossbar.
3. Pass the electric main (ZJ) and ground wire (ZH) through the chain (ZG), the metal ring (ZF), the canopy (ZE), the canopy lock (ZD) and the crossbar (ZB) until the end of the electric main (ZJ) reaches the junction box (ZA) where you can make the appropriate connections.
4. Be sure when connecting the wire use electrician approved junction caps (ZK).
5. Stow the excess wire in the junction box (ZA).
6. Raise the canopy (ZE).
7. Metal ring (ZF), attach canopy (ZE) to ceiling, slide metal ring (ZF) over canopy lock (ZD) and hold the canopy (ZE).

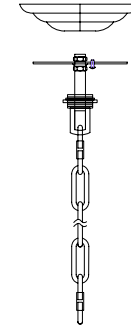
04

Frame Assembly Diagram

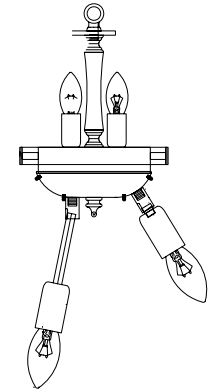


05

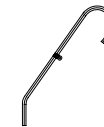
Frame Parts List



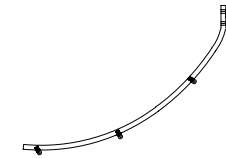
01-Chain*1PC



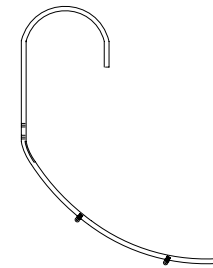
02-Lamp body*1PC



03-Iron branch A*12PCS



04-Iron branch B*16PCS



05-Iron branch C*16PCS

06

Frame Assembly Instructions

Installation:

Please read all instructions carefully.
Before you proceed to install, make sure that the power supply is turned off and remains off until installation is complete.
Please note that each part has been assigned a number.
Please proceed in a numerical order.

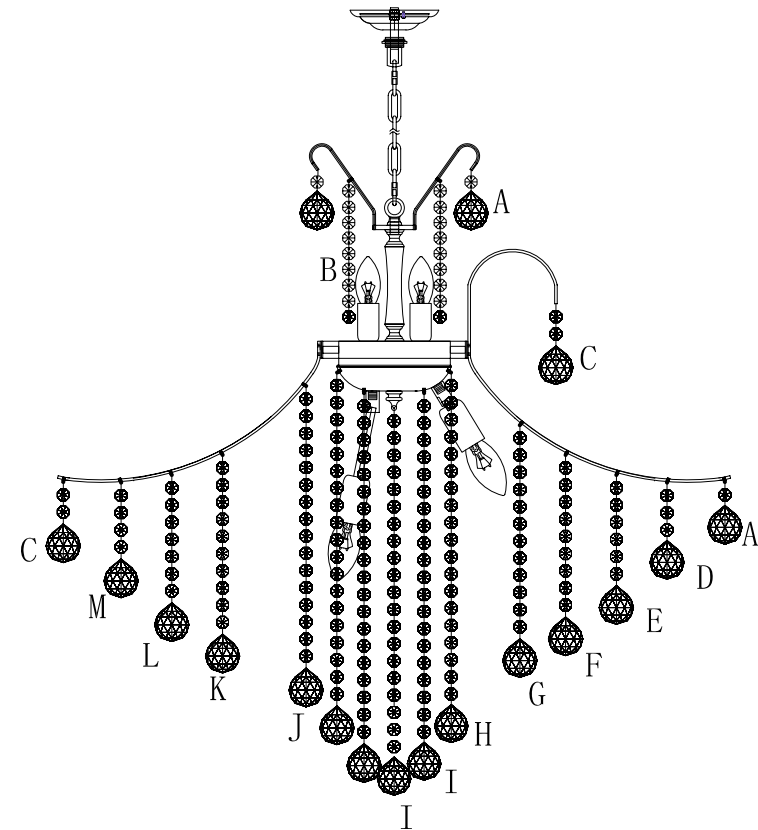
1. Hang the chain (01) on the ceiling.
2. Install the iron branches on the lamp body (02).
3. Hang the lamp body (02) on the chain (01).
4. Make sure the positive and negative charges of wire match with lamp body (02) correctly. Connect the lamp main wire with the positive and negative of 4" junction box .
5. As the crystal dressing instruction, hang the crystal parts.

The end!

Crystal Dressing Diagram



When dressing the chandelier with the crystals please remember to wear either rubber or cotton gloves. So as to prevent any damage or smudging on the crystals.



Crystal Dressing Instructions

A



14mm*1+40mm

B



14mm*9

C



14mm*2+40mm

When dressing the chandelier with the crystals please remember to wear either rubber or cotton gloves. So as to prevent any damage or smudging on the crystals.



D



14mm*3+40mm

E



14mm*6+40mm

F



14mm*9+40mm

G



14mm*12+40mm

H



14mm*19+40mm

I



14mm*20+40mm

J



14mm*16+40mm

K



14mm*10+40mm

L



14mm*7+40mm

M



14mm*4+40mm

No	Quantity
A	28strings
B	12strings
C	32strings
D	16strings
E	16strings
F	16strings
G	16strings
H	8strings
I	5strings
J	16strings
K	16strings
L	16strings
M	16strings