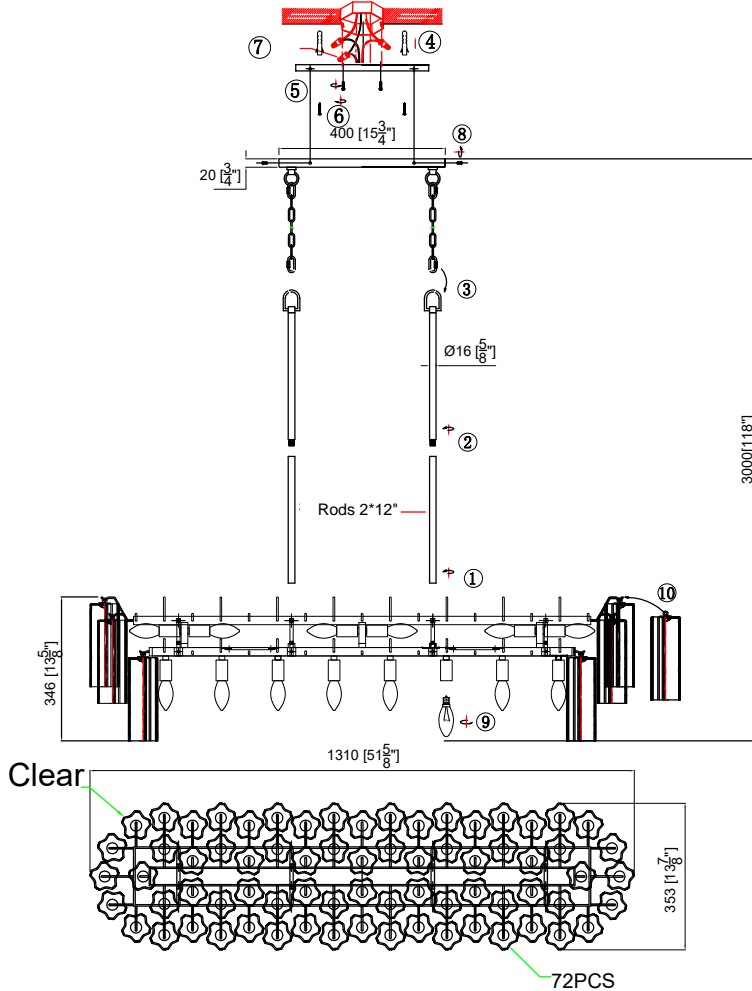


## ASSEMBLY INSTRUCTION MODEL ADD-317-AG-CL



Dress the glass from inner ring



All electrical components must be installed by a licensed electrician in accordance with the National Electric Code and the appropriate local electrical codes.



You will need 14 Candelabra Base Bulb  
40 Watts Recommended 60 Watts Max.  
**USE LED BULBS FOR EXTENDED USE**  
( This fixture is Dry rated)

### How to Install

1. Decide the preferred hanging height and choose the correct length of rods and chain needed.
2. Feed the wires through the rods and screw the rods onto the top of the fixture. Attach the quick link on one end of the chain to the top of the rod. Repeat for the other rod using another chain.
3. Attach the mounting strap onto the outlet box.
4. Raise the fixture up to the ceiling and do the wire connections. Put the canopy up against the ceiling then completely tighten the screws on the side to secure the canopy.
5. Install the bulb into the socket.
6. Dress the glass as illustrated.

### Glass Sets

1. 72 pcs Clear glass 2 3/4x7 3/4"

# CRYSTORAMA

LIGHTING THE WAY FOR SIXTY YEARS



Crystorama.com

PART NUMBER MODEL **ADD-317-AG-CL**

## Part Number

### Part Numbers

- A. (1)-Canopy L14.5"\*W5"\*H1  
(XBN317AGCAN14.5IN)
- B. (2)-Loop
- C. (2)-Chain D5mm\*72"  
(XBN317AGCHA5MM)
- D. (2)-Loop
- E. (4)-12"Rods  
(XBN317AGROD12IN)
- F. (1)-Frame
- G. (72)-Clear glass,D2 3/4xH7 3/4"  
(XBN300AGCLGLA7.75IN)

