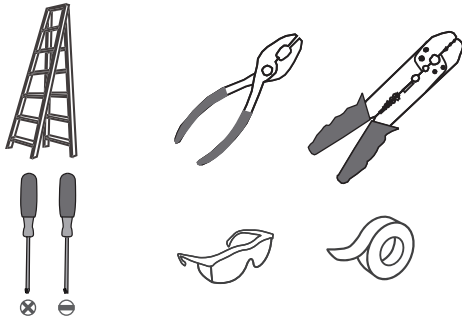


Tools Required



Light Source

40W
MAX



**BULB SHAPE
TYPE G9 XENON**

**6 BULBS REQUIRED
BULBS INCLUDED**

Warnings and Cautions

Turn off the electricity at the circuit breaker before installation. Consult a licensed electrician if in doubt about installation.

Turn off power to the fixture and allow the bulbs to cool before replacing.

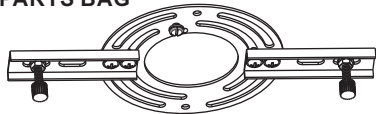
Do not touch the bulb with bare hands use a cloth or glove.

Package Contents

Preparation: Identify and inspect all parts before beginning the installation.

Missing or damaged parts? Contact your original place of purchase.

PARTS BAG



A Crossbar Assembly
x 1



B Wall Anchor
x 2



C Flat Washer
x 2



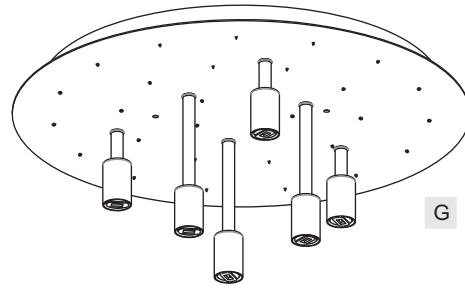
D Screw
x 2



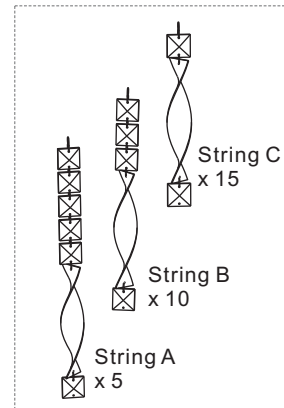
E Outlet Box Screw
x 2



F Wire Connector
x 3



G Fixture Body
x 1



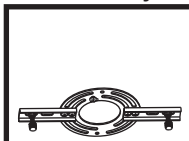
H String



I Bulb
x 6

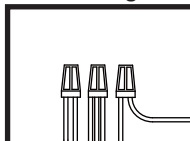
Table of Contents

Crossbar Assembly



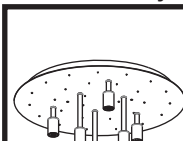
STEP 1

Wiring



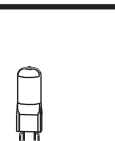
STEP 2

Fixture Body



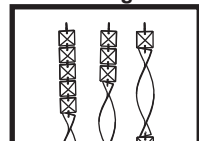
STEP 3

Bulb



STEP 4

Strings

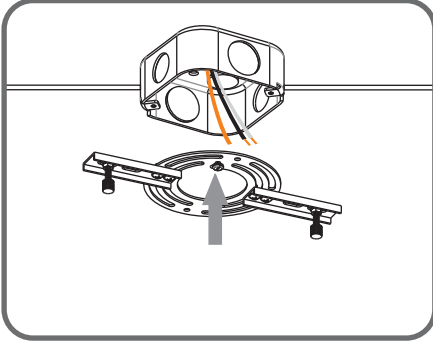


STEP 5

STEP 1

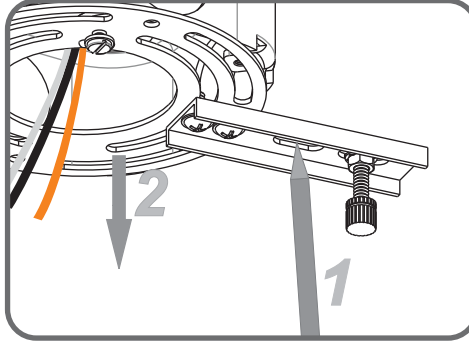
1

Fit crossbar assembly to outlet box



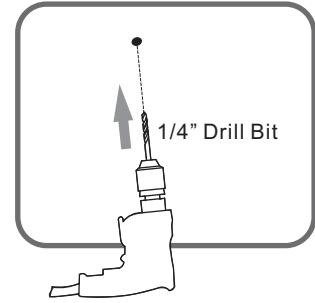
2

Mark anchor holes location on the ceiling



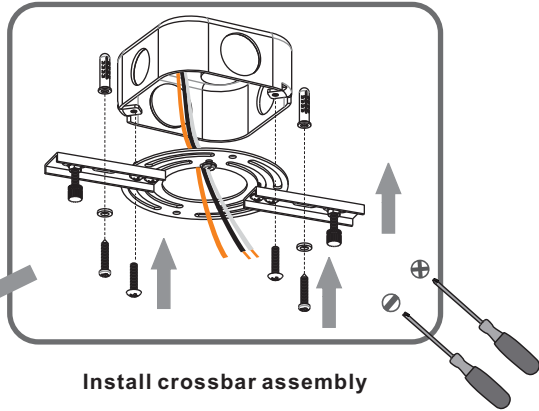
3

Drill holes for anchors from marks



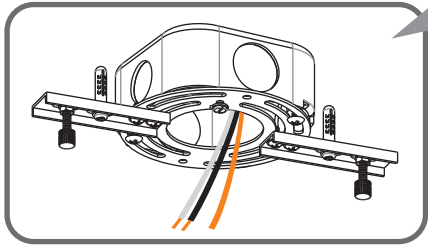
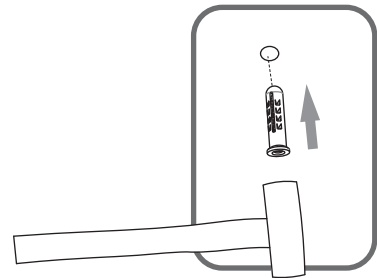
5

Install crossbar assembly

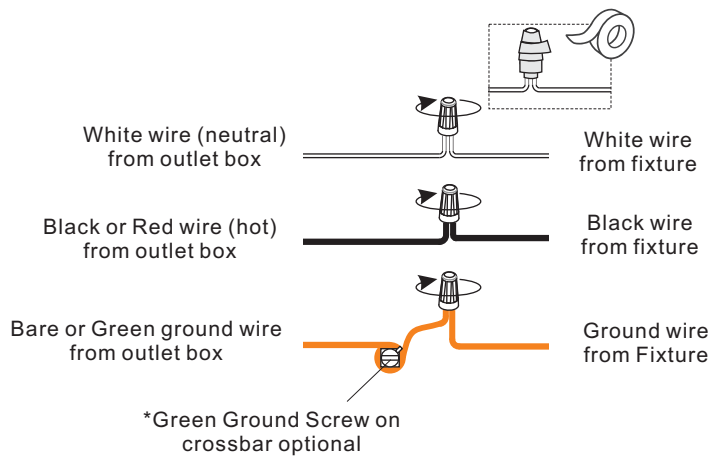


4

Install wall anchors



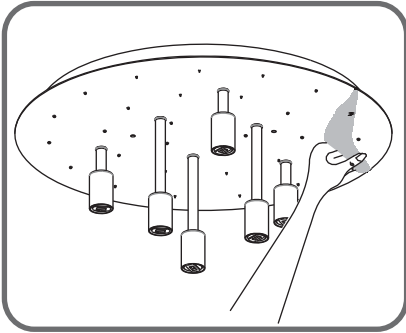
STEP 2



STEP 3

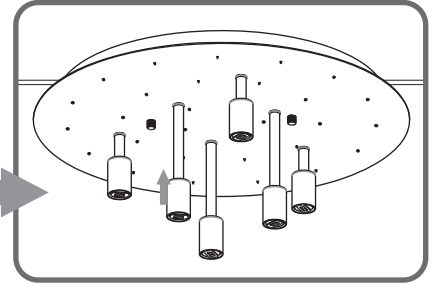
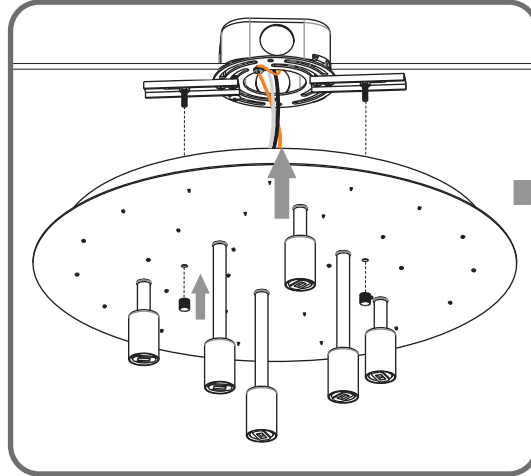
1

Remove protective film

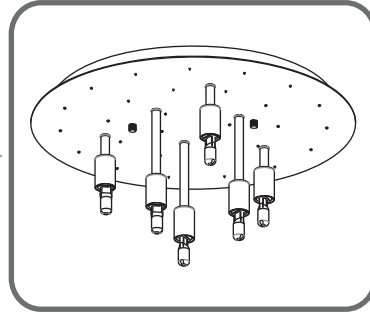
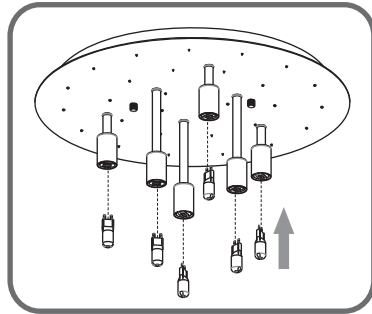


2

Install fixture body



STEP 4



STEP 5

