

Justice Design Group

Installation Instructions

14-Light Bridge Chandelier

For Models: FAL-8764, CNDL-8764

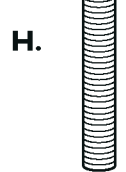
IMPORTANT

- Justice Design recommends that a licensed electrician install this lighting fixture
- Installation must comply with all building, safety, and electrical codes and requirements
- Disconnect power to the junction box prior to installation
- Do not reconnect power until this fixture is properly installed
- This fixture is designed for use with a standard metal 4-0 octagonal junction box
- This fixture requires additional support that is independent of the junction box. Consult local building, safety, and electrical codes and requirements prior to installation.



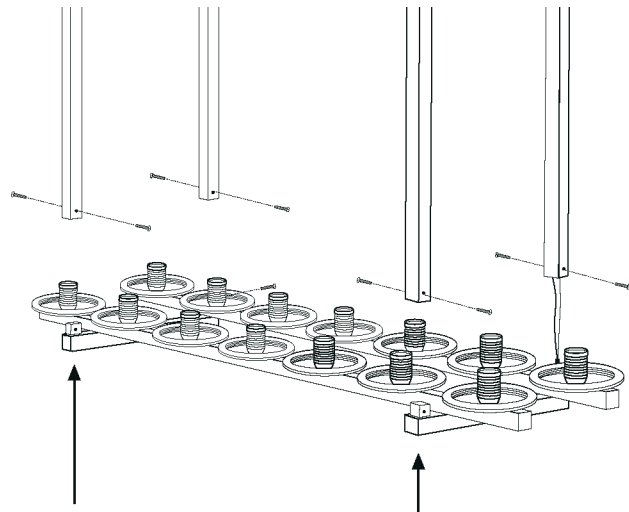
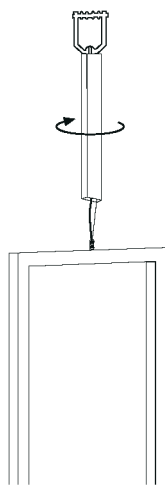
Hardware Pack contains:

- A. 2 - Mounting Screws
- B. 2 - Wire Nuts
- C. 2 - Bolts
- D. 4 - Metal Washer
- E. 3 - Lock Washer
- F. 5 - Nuts
- G. 1 - Fixture Bar
- H. 1 - Nipple



I

Assemble chandelier posts to base. Be careful not to over-tighten or you may damage chandelier.



**JUSTICE
DESIGN**

261 South Figueroa Street, Suite 450 • Los Angeles, CA 90012-2533

Tel (213) 437-0102 • Fax (213) 437-0860 • E-mail: sales@JDG.com • Website: www.JDG.com

INS-FAL-8764
© 12/01/06

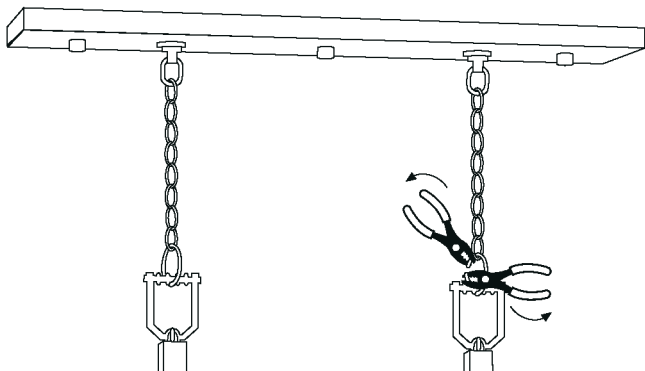
14-Light Bridge Chandelier

Justice Design Group page 2

2

Determine desired chain length. Adjust by removing links. Twist with pliers to open. Take care not to damage cord.

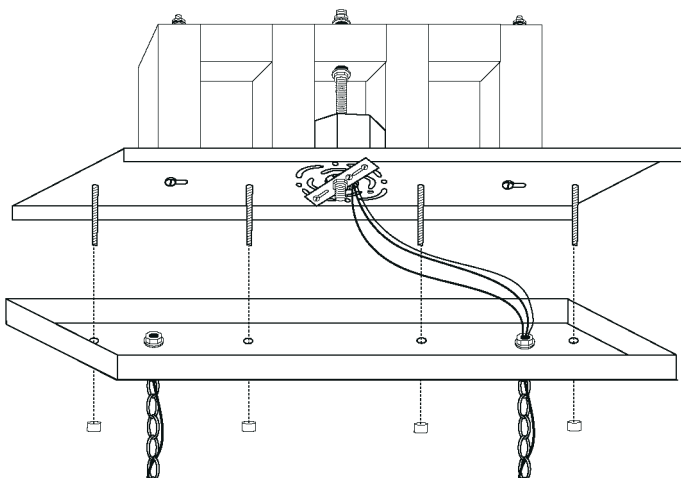
Remove excess links. Attach chain to chandelier and canopy. Close links by twisting with pliers.



4

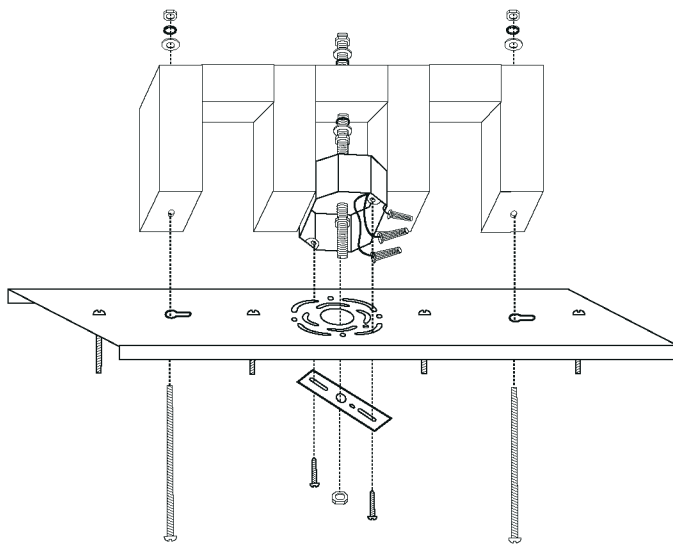
Connect fixture wires to supply wires using wire nuts. Observe polarity: black to power, white to neutral, and bare copper to green ground.

Tuck wires and wire nuts into junction box. Secure fixture to Mounting Plate using finials.



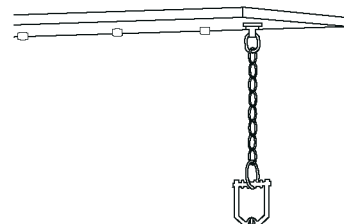
3

The Mounting Plate is designed to be attached using a center fixture bar and two auxiliary bolts. Attach fixture bar to Center Support Nipple. Secure bolts to structural support rated for load.



5

Attach shade by placing over socket. Secure with shade spacer and shade lock ring.



Install bulbs. Take care never to exceed maximum wattage.

Please see the additional enclosed sheet for care instructions.

