

STEP 4 - Wire Connections

A. Use standard wire connectors to make all wire connections. Twist connectors until wires are tightly joined together. Wrap each connection with approved electrical tape and carefully stuff all the connected wires into the Outlet Box.

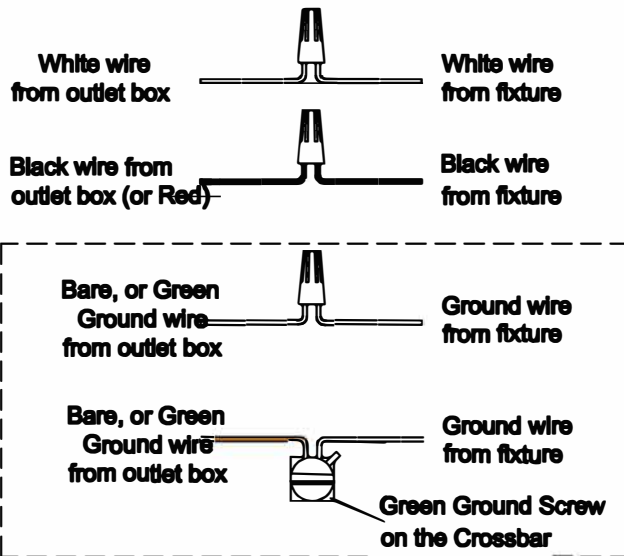


Figure 4

STEP 5 - Install Backplate to wall

A. Carefully tuck all wires into the outlet box and position the wall canopy of the Fixture Body (A) over the outlet box. Align the holes in the wall canopy with the Mounting Screws (DD). Secure with Decorative Caps (AA) and hand tighten until snug.

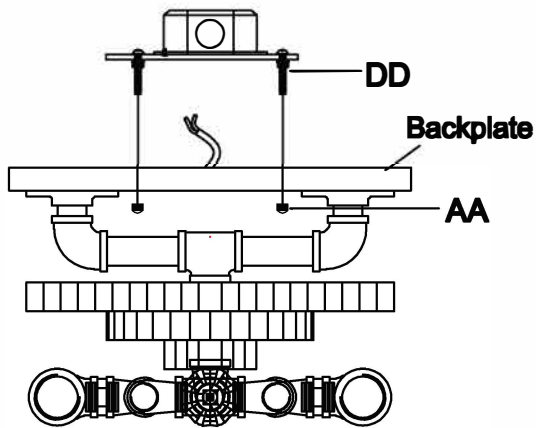


Figure 5

STEP 6 - Install bulb.

A. Install bulbs into sockets and screw snug into place.

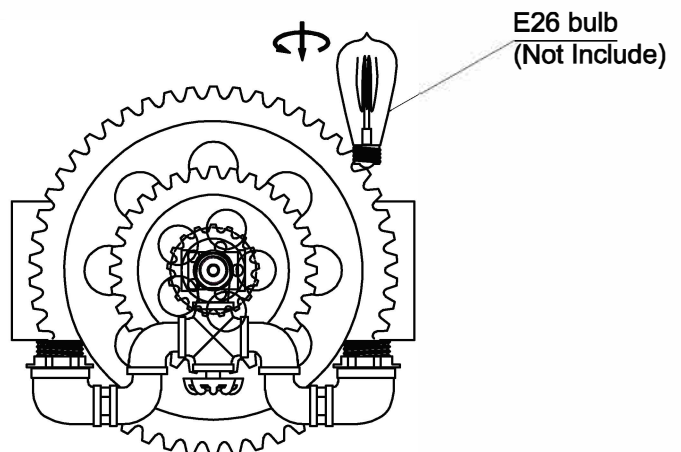


Figure 6