

Exhibiting a modern, Zen-like design approach, the Syntra outdoor path light blends seamlessly into contemporary architecture and landscapes. The symmetric down lighting provides abundant outdoor illumination and the clean, angular aesthetic maintains an understated elegance.

High quality LM80-tested LEDs

for consistent long-life performance and color

Outstanding protection against the elements:

- Powder coat finishes
- Stainless Steel mounting hardware
- Impact-resistant, UV stabilized frosted acrylic lensing

Path light features either Bolt or Stake mounting options

SPECIFICATIONS

DELIVERED LUMENS	255.8
WATTS	12.8
VOLTAGE	12V (Transformer sold separately)
DIMMING	MLV
LIGHT DISTRIBUTION	Symmetric
MOUNTING OPTIONS	Bolt or Stake
CCT	3000K
CRI	80+
COLOR BINNING	3 Step
BUG RATING	B0-U1-G0
DARK SKY	Compliant
WET LISTED	IP65
GENERAL LISTING	ETL
CALIFORNIA TITLE 24	Can be used to comply with CEC 2016 Title 24 Part 6 for outdoor use. Registration with CEC Appliance Database not required.
START TEMP	-30°C
FIELD SERVICEABLE LED	Yes
CONSTRUCTION	Aluminum
HARDWARE	Stainless Steel
FINISH	Powder Coat
LED LIFETIME	L70; 70,000 Hours
WARRANTY*	5 Years
WEIGHT	14.8 lbs.

* Visit techlighting.com for specific warranty limitations and details.



SYNTRA PATH
shown in bronze



SYNTRA PATH
shown in charcoal

12V AC TRANSFORMERS*

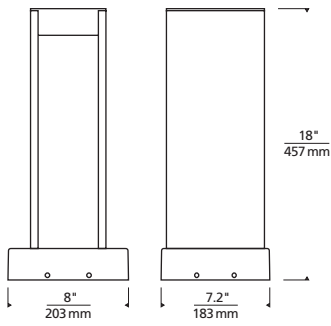
(OUTDOOR RATED, ORDERED SEPARATELY)

ITEM	DESCRIPTION	HOUSING	DIMMING
700OT150T	MAGNETIC, 150W, 120V	STAINLESS STEEL	MAGNETIC
700OT300T	MAGNETIC, 300W, 120V	STAINLESS STEEL	MAGNETIC

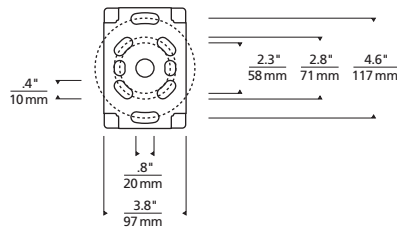
ORDERING INFORMATION

700OASYN	CRI/CCT	LENGTH	LENS	FINISH	VOLTAGE	DISTRIBUTION	OPTIONS
	830 80 CRI, 3000K	18 18"	D DIFFUSE	Z BRONZE H CHARCOAL	12 12V	S SYMMETRIC	CONCRETE MOUNT ST STAKE MOUNTING KIT

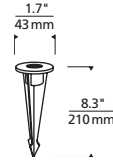
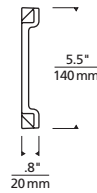
*REQUIRES 12V REMOTE TRANSFORMER



Syntra Path



Anchor Plate Bolt Pattern



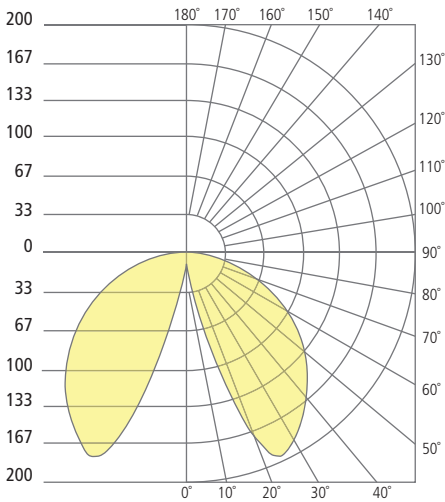
Stake Anchor

PHOTOMETRICS*

*For latest photometrics, please visit www.techlighting.com/OUTDOOR

SYNTRA PATH

- Total Lumen Output: 255.8
- Total Power: 12.8
- Luminaire Efficacy: 19.8
- Color Temp: 3000K
- CRI: 80+
- BUG Rating: B0-U1-G0



PROJECT INFO

FIXTURE TYPE & QUANTITY

JOB NAME & INFO

NOTES



© 2020 Tech Lighting, L.L.C. All rights reserved. The "Tech Lighting" graphic is a registered trademark. Tech Lighting reserves the right to change specifications for product improvements without notification.

VISUAL COMFORT & Co.

7400 Linder Avenue, Skokie, Illinois 60077

T 847.410.4400 F 847.410.4500