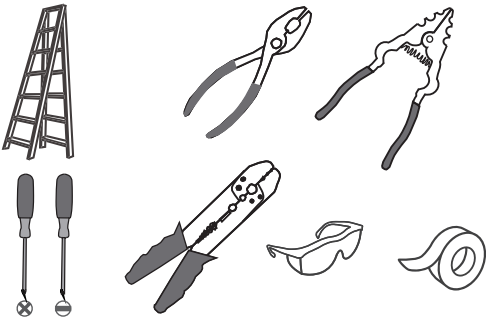
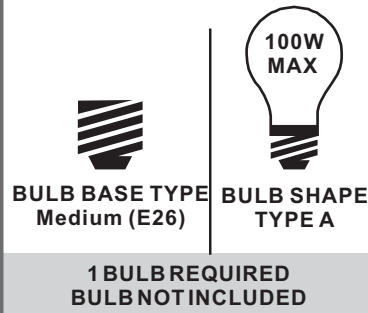


**Tools Required**



**Light Source**



**Fixture Height Adjustable  
18" to 112"**

**⚠ Warnings and Cautions**

Turn off the electricity at the circuit breaker before installation. Consult a licensed electrician if in doubt about installation.

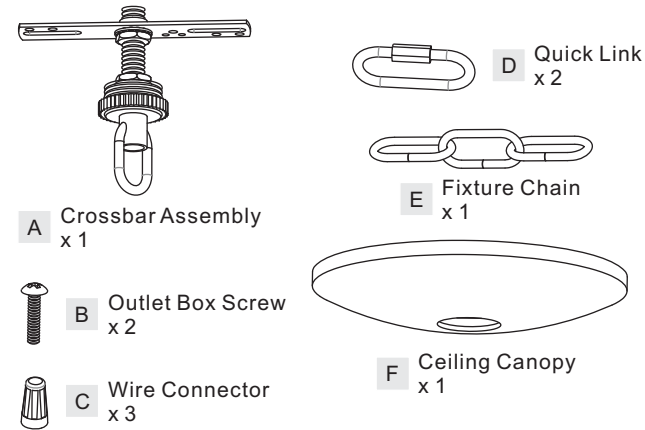
Turn off power to the fixture and allow the bulbs to cool before replacing.

**Package Contents**

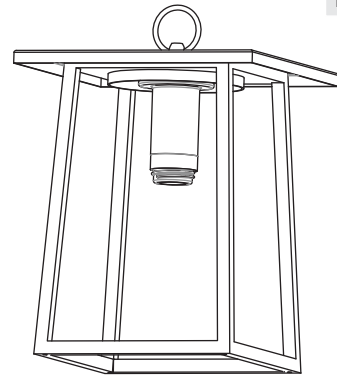
**Preparation:** Identify and inspect all parts before beginning the installation.

Missing or damaged parts? Contact your original place of purchase.

**PARTS BAG**



G Shade x 1



H Fixture Body x 1

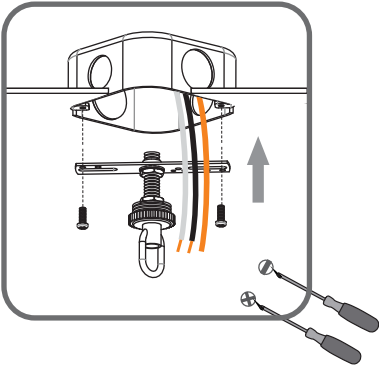
**Table of Contents**

Crossbar Assembly	Fixture Chain	Wiring	Ceiling Canopy	Bulb
STEP 1	STEP 2	STEP 3	STEP 4	STEP 5

## STEP 1

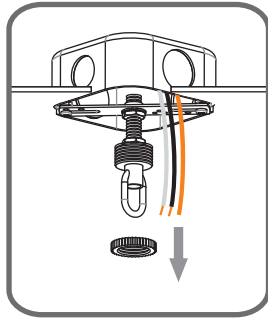
1

Step 1  
Install crossbar assembly

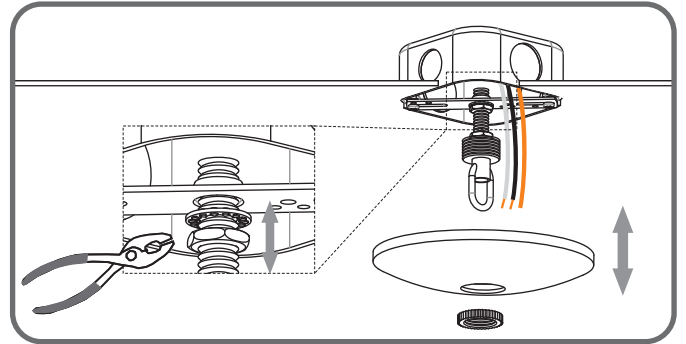


2

Step 2 - 3  
Test fitting ceiling canopy to nipple



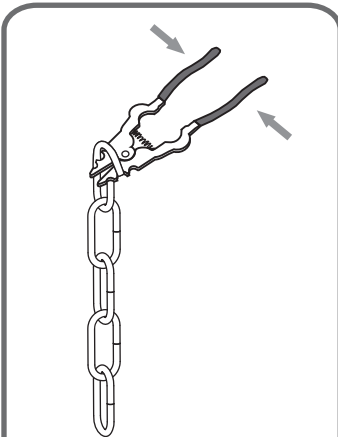
3



## STEP 2

1

Step 1  
Adjust fixture chain length

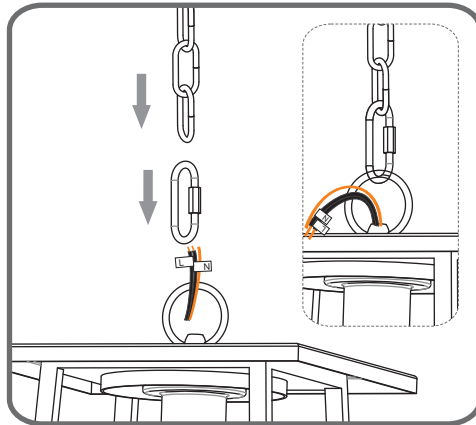


**Suggested Chain Length:**

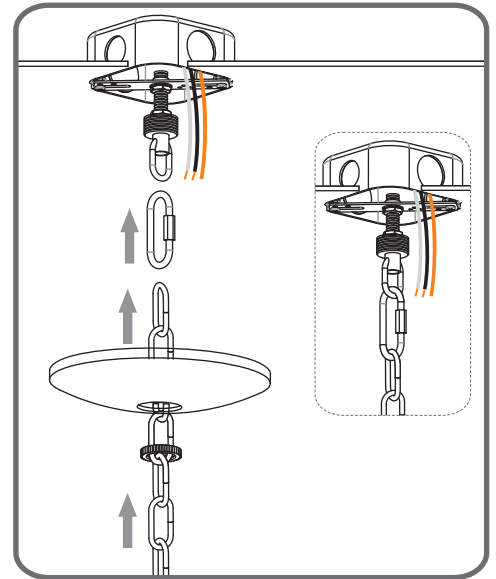
8' ceiling: 10" Chain  
9' ceiling: 22" Chain  
10' ceiling: 32" Chain

2

Step 2 - 3  
Install Fixture Chain



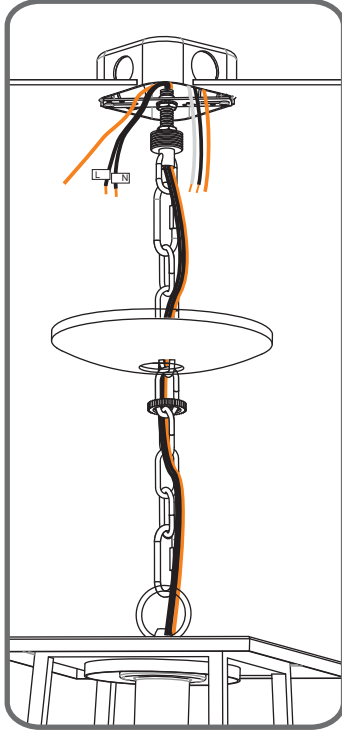
3



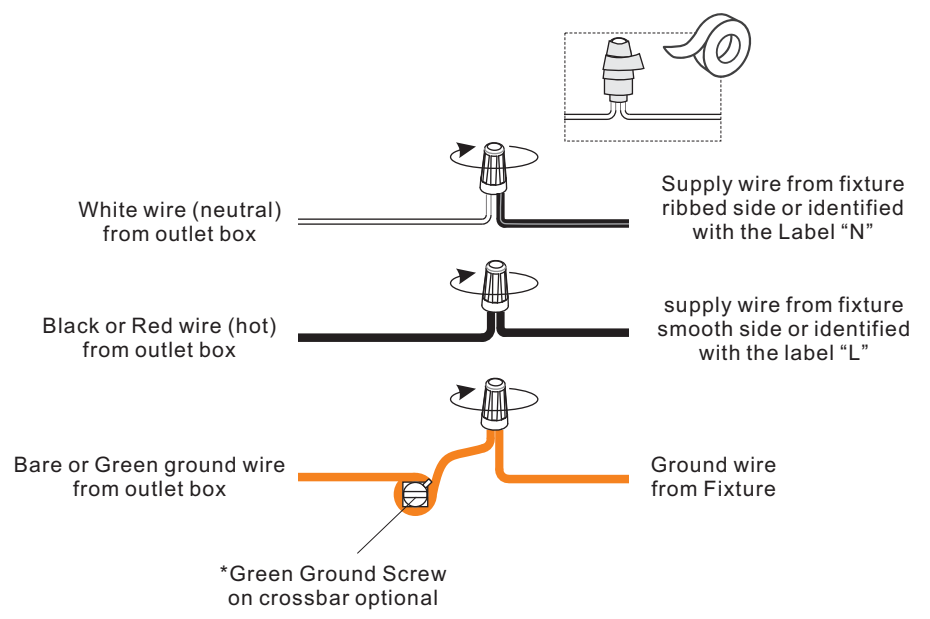
# STEP 3

1

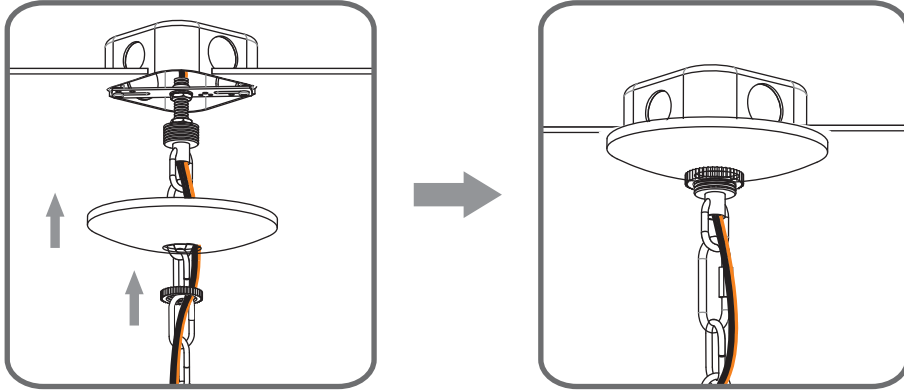
**Step 1**  
Feed the fixture wires  
through the loop



2



**STEP 4**



**STEP 5**

