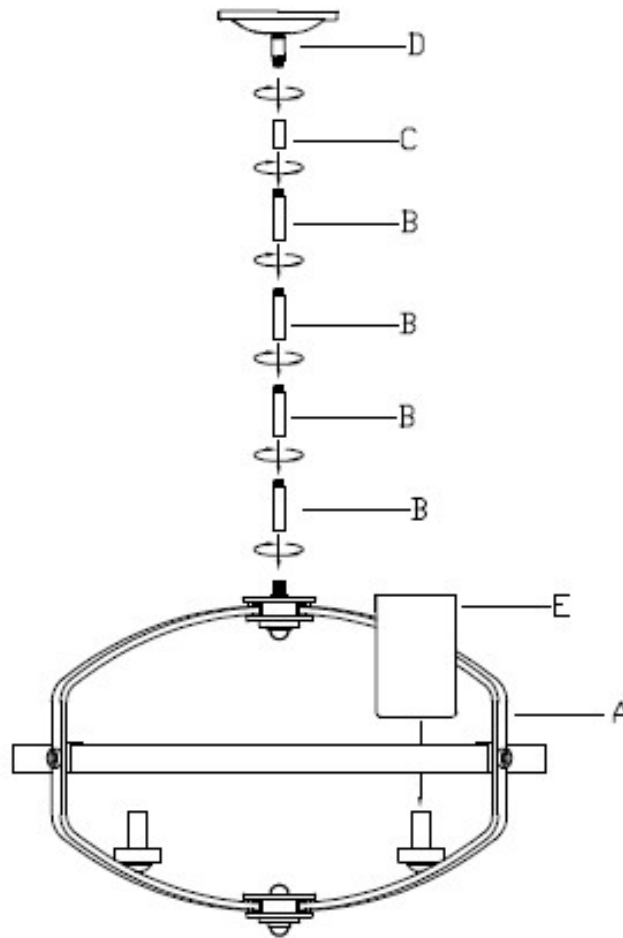




## ASSEMBLY INSTRUCTIONS

ITEM NO.: 7-8041-5-79



B → A → C → D → E

1. Carefully unpack and identify all parts referring to illustration for parts identification.
2. Turn the power to the installation point OFF.
3. Unravel the supply power and ground wires and pass them through the center holes of center tube (B), (C) and canopy assembly (D).
4. Thread the bottom of center tube (B) onto the protruding nipple at top of fixture body (A). Repeat the process for remaining center tube (C) as shown in the diagram, until snug.
5. Install the canopy assembly (D) onto the top of center tube (C).
6. Place the glass shade (E) setting inside the shade holder of fixture body (A).
7. Referring to the installation instruction with the product for the wiring and installation.
8. Install proper bulbs (not provided) to the sockets referring to the marking and/or labels on the fixture for maximum wattage.
9. Restore the power to the installation point ON.
10. Assembly is completely. Retain this sheet for future reference.