

TWO-CIRCUIT MONORAIL

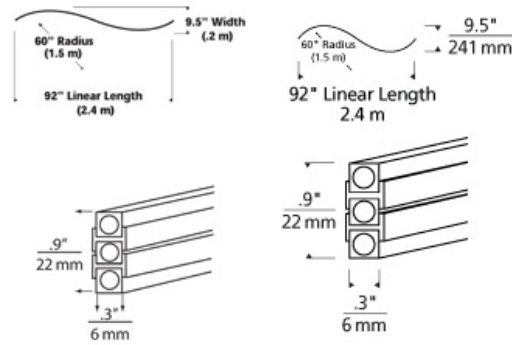
Pre-Bent S Curve Two Circuit MonoRail

DESCRIPTION

Two-circuit MonoRail bends very easily by hand to almost any imaginable shape, but the pre-bent S curve makes Two-Circuit Monorail even easier to install. Pre-bent into a horizontal S Curve. Consult drawing for approximate dimensions. Rated for 300 watts per circuit at 12 volts. Each piece of rail is shipped with conductive connectors to join rail pieces end to end. Order additional connectors if cutting and rejoining rails.

WEIGHT

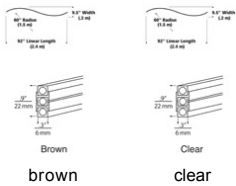
1.65lb / 0.75kg ±



Brown

brown

COLOR OPTIONS



brown

clear

ORDERING INFORMATION

700MO2BHSC60 SHAPE OR SIZE	LENGTH (A)	COLOR	FINISH
PRE-BENT S-CURVE	92"	BR BROWN CLEAR	Z ANTIQUE BRONZE C CHROME S SATIN NICKEL

TECH LIGHTING®
 7400 Linder Avenue T 847.410.4400
 Skokie, Illinois 60077 F 847.410.4500
Tech Lighting, L.L.C.

700MO2BHSC60 _____

FIXTURE TYPE: _____

JOB NAME: _____

NOTES: _____



©2014 Tech Lighting, L.L.C. All Rights Reserved. The "Tech Lighting" graphic is a registered trademark of Tech Lighting, L.L.C. Tech Lighting reserves the right to change specifications for product improvements without notification.