

Please go to www.quoizel.com for product cleaning tips. Go to the **Care + Maintenance** selection.

Tools Required: Flathead screwdriver, Phillips screwdriver, pliers, wire cutters, wire strippers, electrical tape, safety glasses.

Light Source: (3) B10 Candelabra Base bulbs 60W Maximum, bulbs not included.

Estimated Assembly Time: 20-30 minutes

Preparation: Identify and inspect all parts before beginning installation. Check package content list and diagrams below to ensure all parts are present. If any parts are missing or damaged, do not attempt to assemble, install, or operate the fixture. Contact your original place of purchase.

Fixture can only be mounted in the direction indicated on page 2.

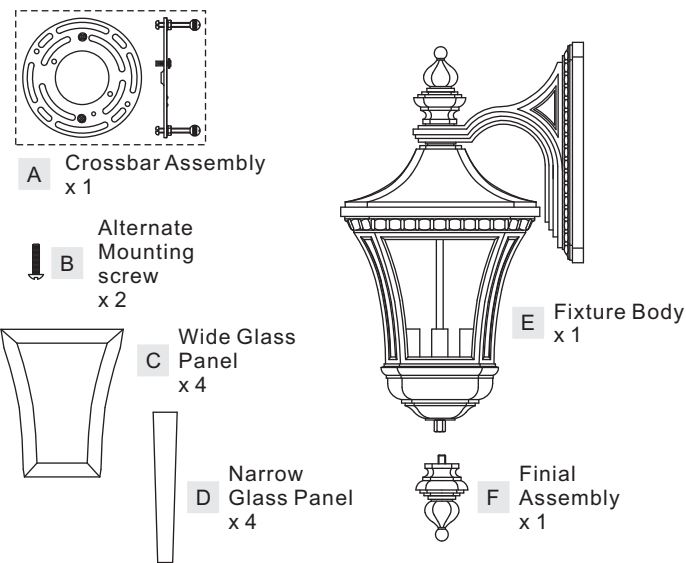
⚠ Warnings and Cautions

Turn off electricity at circuit breaker or main fuse box before installation. Consult a licensed electrician if in doubt.

These instructions are provided for your safety. It is very important you read them completely before installing the fixture. We strongly recommend that a licensed, professional electrician perform the installation.

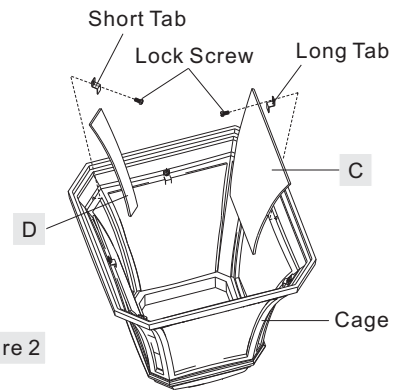
Disconnect fixture from power source before replacing bulbs. Make sure bulbs are given sufficient time to cool before removal.

Package Contents



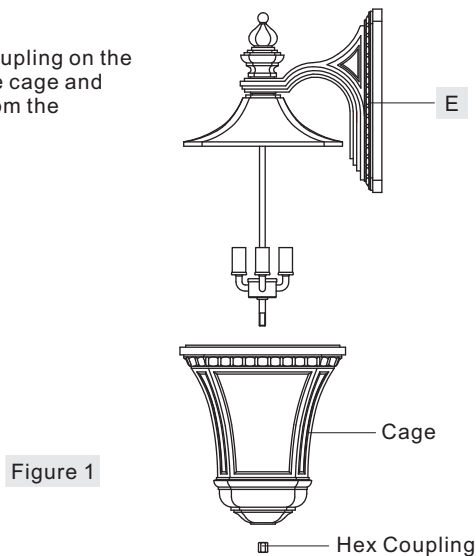
STEP 2 – Attach Glass Panels

- Unscrew lock screws and remove tabs from the top edge of the cage.
- Slip Wide Glass Panels (C) and Narrow Glass Panels (D) inside of the cage as shown. Attach long tabs onto the top edge of Wide Glass Panels (C) and attach short tabs onto the top edge of Narrow Glass Panels (D). Align holes on tabs to mounting holes on the top edge of the cage. Thread lock screws into mounting holes and hand tighten until snug to secure Glass Panels (C/D).



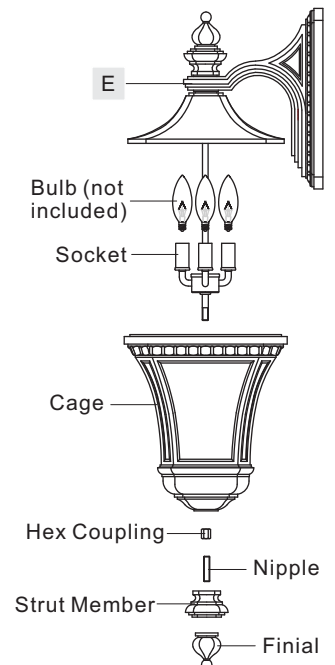
STEP 1 – Remove Cage From Fixture Body

- Unscrew the hex coupling on the bottom center of the cage and remove the cage from the Fixture Body (E).



STEP 3 – Install Bulbs, Cage and Finial Assembly

- Insert bulbs onto sockets and screw snugly into place.
- Place the cage back over the bottom end of the Fixture Body (E) and secure with hex coupling previously removed. Hand tighten until snug.
- Remove the nipple and the strut member from the Finial Assembly (F).
- Thread the nipple into the hex coupling on the bottom center of the cage. Hand tighten until snug. Pass the strut member over the nipple and secure with the finial. Hand tighten until snug.



STEP 4 – Installing the Crossbar Assembly

- A. Pass the supply wires through the Crossbar Assembly (A). Attach the Crossbar Assembly (A) to the Outlet Box with the head of the Green Ground Screw facing you. Secure the Crossbar Assembly (A) with Outlet Box Screws (not included). Tighten until snug. Note: Use the Alternate Shorter Mounting Screw (B) if your installation requires a shorter mounting screw.

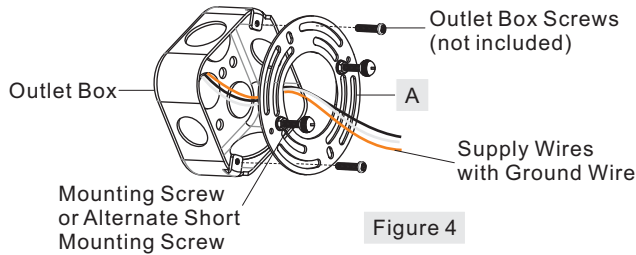


Figure 4

STEP 5 – Test Fit the Backplate to the Crossbar Assembly

- A. Remove the mounting balls from the Crossbar Assembly (A). Place the backplate and Fixture Body (E) onto the Crossbar Assembly (A) and secure with mounting balls. Note: The backplate and Fixture Body (E) should be snug against the wall and held tight with the mounting balls. If it is not, adjust the length of the mounting screw or alternate short mounting screw on the Crossbar Assembly (A) by unscrewing the preassembled hex nut and lock washer and then screwing the mounting screws or alternate short mounting screws in or out of the crossbar until the correct length is achieved. Once the backplate and Fixture Body (E) is secure, remove the mounting ball and Fixture Body (E) and proceed to Step 6.

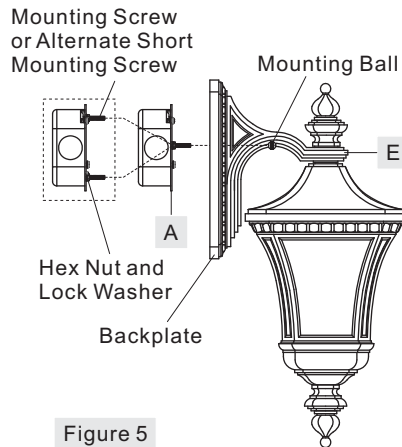


Figure 5

STEP 6 – Attach the Lanyard

- A. The purpose of the lanyard is to provide a means to support the fixture hands free from the junction box while connecting the electrical wires.
- B. Turn the Button Stop so it may be inserted into a Crossbar slot. Make sure the Button Stop is completely inside the Crossbar. Slowly release the fixture to make sure it is supported by the Button Stop. Proceed to the wiring steps in the next step. Once you are complete with the wiring, the Lanyard will push into the junction box when the fixture is placed for final mounting.

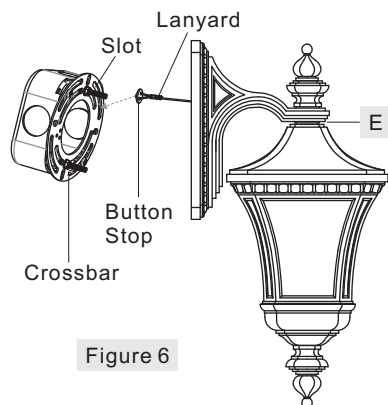


Figure 6

STEP 7 – Make Wire Connections

- A. Wrap bare or green ground wire around green ground screw on the crossbar, no less than 2 inches from the end of the wire. Tighten the green ground screw.
- B. Use standard wire connectors (not included) to make all wire connections. Twist connectors until wires are tightly joined together. Wrap each connection with approved electrical tape and carefully stuff all the connected wires into the Outlet Box.

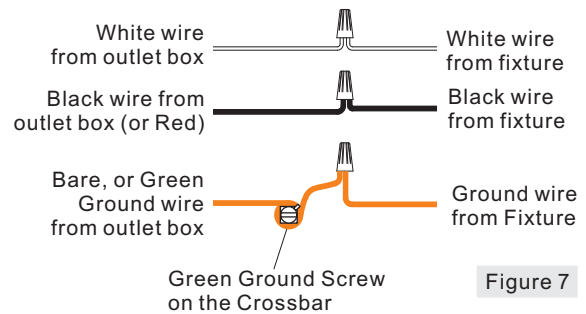


Figure 7

STEP 8 – Install the Fixture Body

- A. Position the backplate and Fixture Body (E) onto the Crossbar Assembly (A). Place the holes in the backplate over the mounting screws or alternate short mounting screws. Secure the Fixture Body by using the mounting balls and hand tighten the mounting balls until snug.

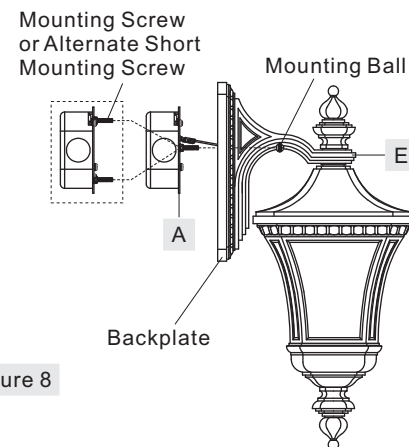


Figure 8

STEP 9 – Apply Silicone Sealer

- A. Make sure the exterior wall surface and fixture backplate are free of dirt before applying caulk. Using exterior grade caulk, caulk over top of backplate and down both sides. Do not caulk the bottom of the fixture backplate to ensure proper moisture drainage.

Your fixture is now assembled and ready to use. Enjoy!

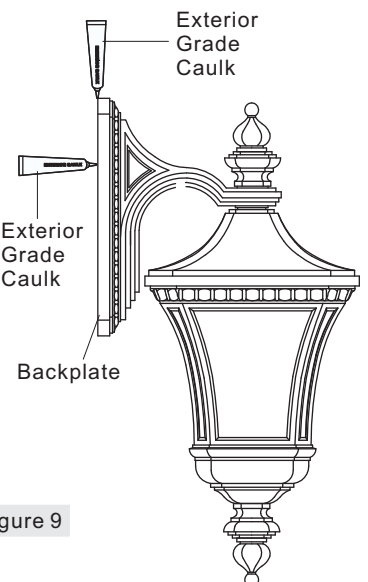
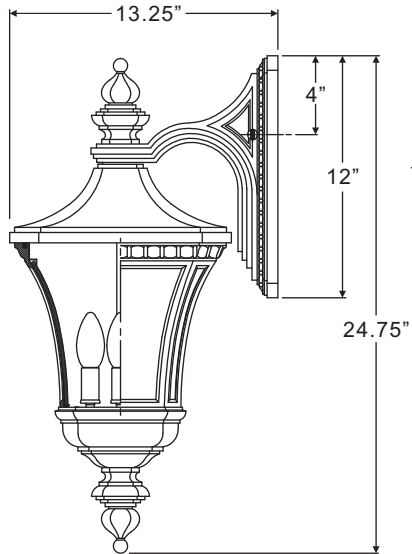
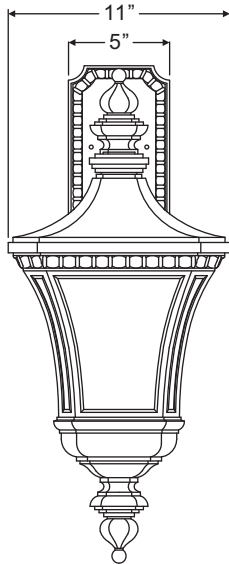
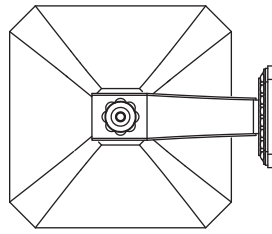
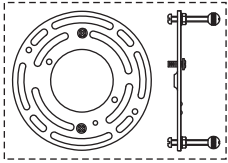


Figure 9

DE89611B

FINISH: IMPERIAL BRONZE

NOTE: ALL DIMENSIONS ARE ROUNDED UP TO THE NEAREST 1/4"



↑
Fixture can
only be
mounted in
the direction
indicated